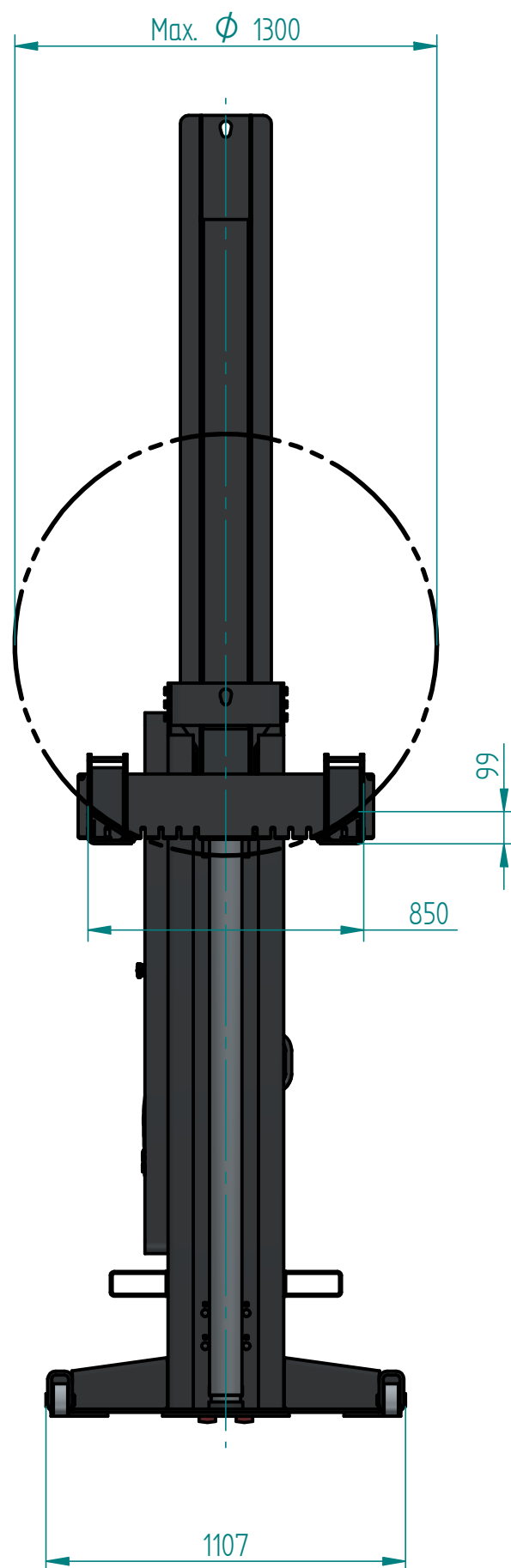
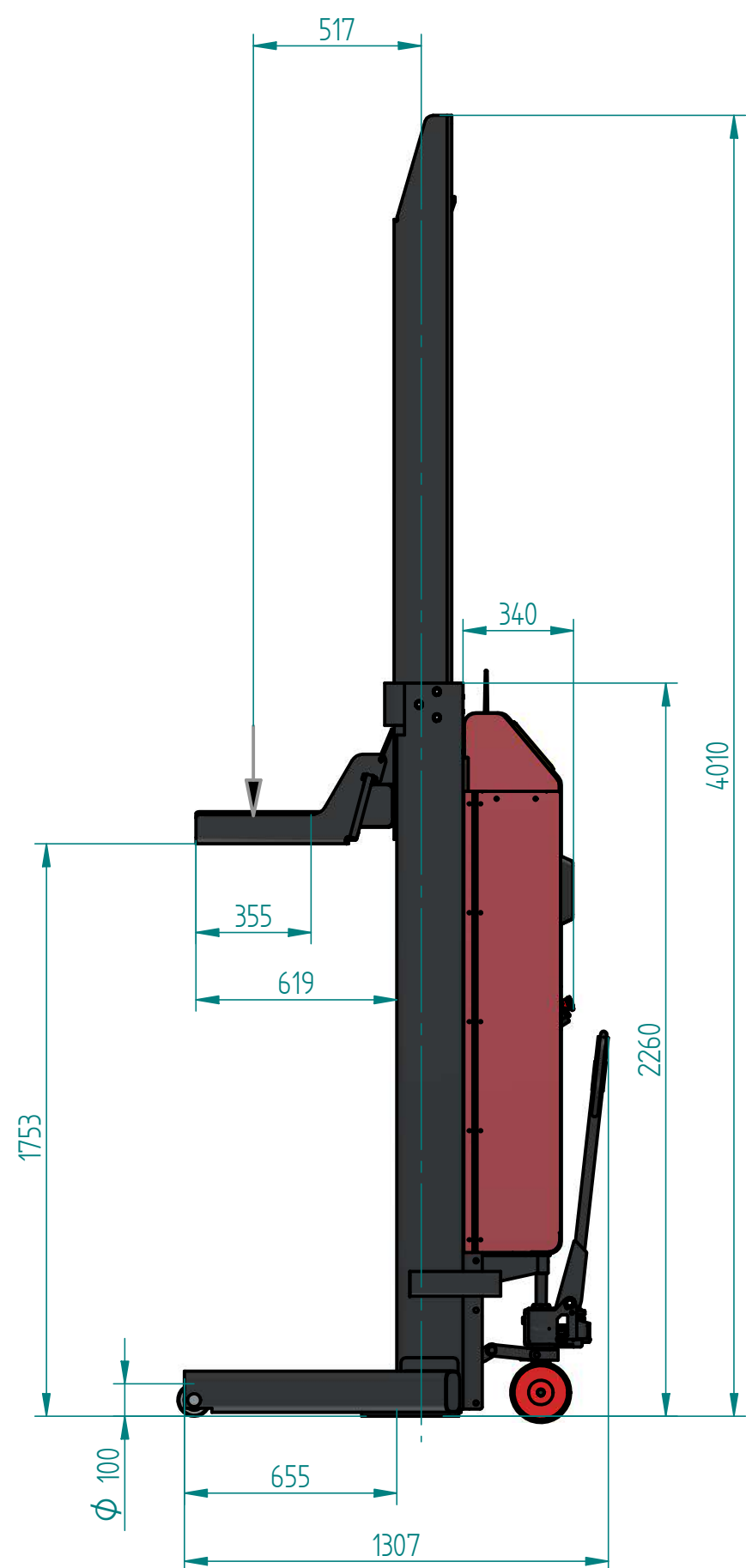


PRINT DATA



MC65NROT1-1D - MCH 6,5 t Dimensions and Technical Data	
Capacity per cylinder [kg]	6500
Lift [mm]	1753
Operating pressure [bar]	136
Safety valve set pressure [bar]	150
Lift time [s]	65
Lowering time [s]	54
Drive power per lifting cylinder [KW]	3
Motor Current [A]	150
Number of lifts with fully charged battery	14
Piston diameter [mm]	80
Hydraulic oil	ISO AW 22
Oil filling per cylinder, first filling [L]	18
Oil filling per cylinder, oil change [L]	11,5
Noise level [db(A)]	< 80
Total weight per lifting unit [kg]	640
Operating temperature [°C]	5 - 40
Batteries	BANNER 956-01 12V 90Ah or similar

DATE 29/04/2026	DRAWN M. Francesca	NOTE *	EM/ MOD. N° EM5240
DESCRIPTION MCH 6,5 t - ROT Dimensions and Technical Data			CODE 025907220
			I.A. 00