



**ELECTRO-HYDRAULIC
2-POST LIFTS**

SPOA40AV

THE ONE LIFT TO SERVICE THEM ALL WITH AV ARMS

For a plus in ergonomics and economy, **THE SECOND CONTROL PANEL IS STANDARD.**

THE TOP LIMIT SWITCH protects vehicles with a higher overall height from damage during lifting.



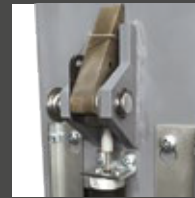
The electro-hydraulic design with **ONLY ONE UNIT ENSURES ENERGY-SAVING OPERATION** with fast lifting and lowering times.



The **DOUBLE S-PROFILE** and **INCREASED CONTACT AREA** of the lifting posts with carriages enables maximum stability with minimum space requirement.

Flanged to the upper part of the column, **THE UNIT IS PROTECTED** from external influences and allows more freedom of movement.

THE 3PSS CONCEPT (3 PHASE SECURITY SYSTEM):



MECHANICAL SAFETY LATCHES are integrated on both sides with automatic actuation.



HYDRAULIC SYSTEM SECURED by non-return valve including maintenance-free high-pressure cylinder in both posts.



LOAD-FREE SYNCHRONIZATION PULLEYS secure the load during the lifting and lowering process.



AUTOMATIC ARM LOCK and **AUTOMATIC GROUND RELEASE:** conical geometry with self-locking effect.

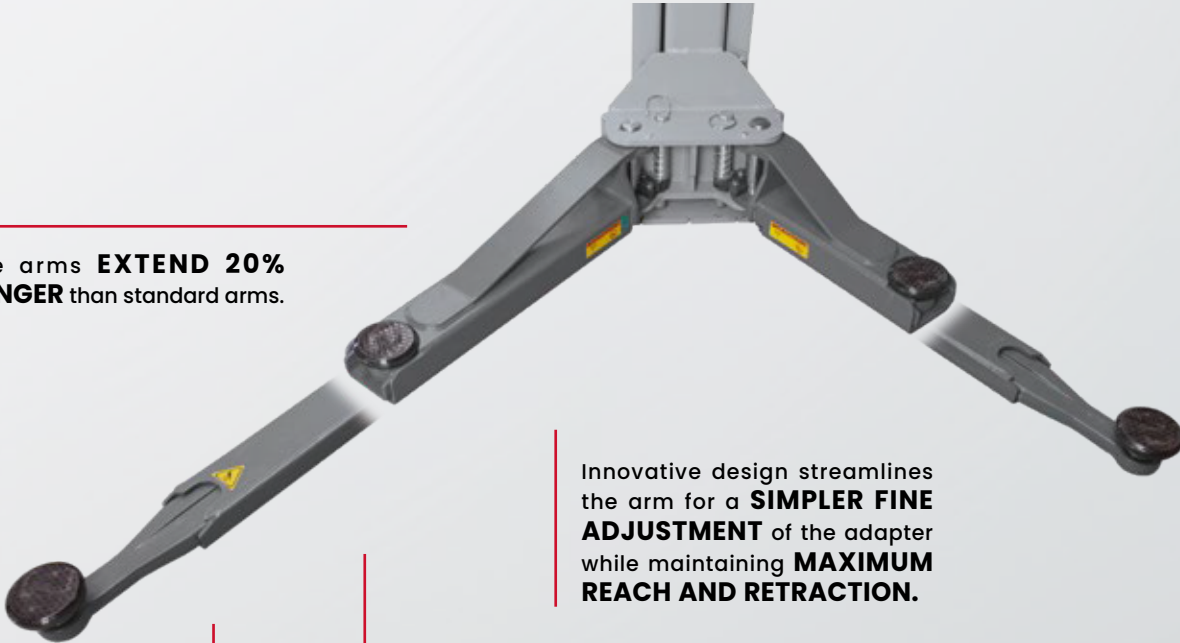


Equipped with an **ACOUSTIC ANTI TOE TRAP SYSTEM.** Free from mechanical foot guards.





The arms **EXTEND 20% LONGER** than standard arms.



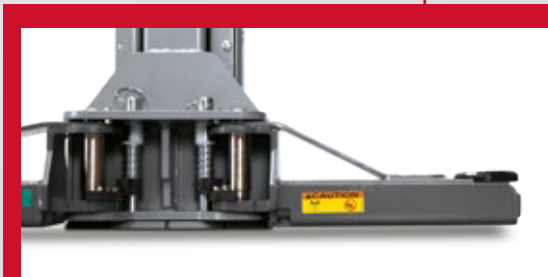
Innovative design streamlines the arm for a **SIMPLER FINE ADJUSTMENT** of the adapter while maintaining **MAXIMUM REACH AND RETRACTION**.



The outer arm and adapter height are the same measurement reducing any possibility the arm makes contact with vehicle underbodies.



Reach small, **SPECIFIC PICK-UP POINTS ON EVS** with the needed clearance to remove propulsion batteries.



The adjustable, low adapter height allows the needed **REACH TO EASILY SPOT**, lift, and repair unibody, exotic, and battery electric vehicles.



SHORT ARM RETRACTION and **LARGE PICKUP RANGE**.

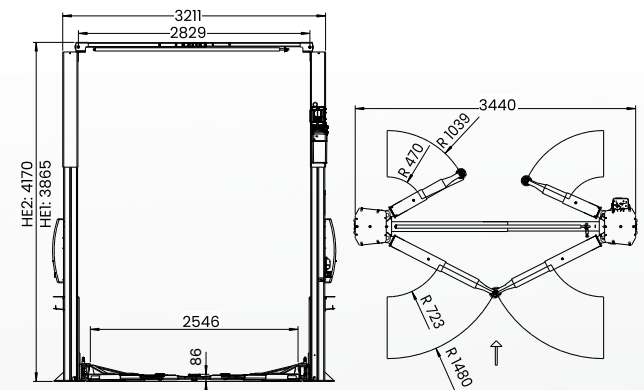
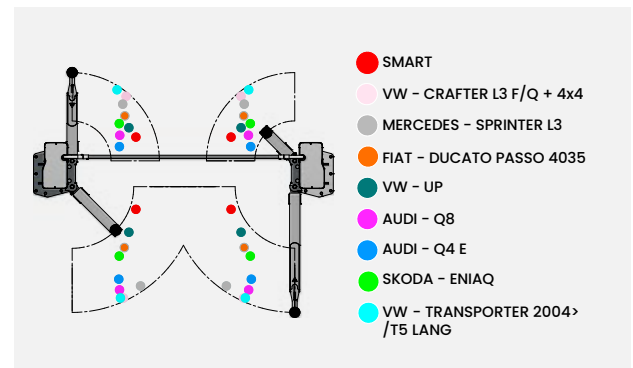


The geometry of the arms is designed to **LIFT EVERY TYPE OF CAR** from classic city cars to L3 long wheelbase vans.

ALL
VEHICLE
ARM

TECHNICAL DATA

	SPOA40AV-EH1	SPOA40AV-EH2
	4057612975659	4057612975666
Capacity	4000 kg	4000 kg
Max. lifting height	1950 mm	1950 mm
Lifting time	30 s	30 s
Min. pad height	86 mm	86 mm
Max. pad height	115 mm	115 mm
Clear span between	2829 mm	2829 mm
Clear span between (out)	3211 mm	3211 mm
Drive-through width	2546 mm	2546 mm
Min. ceiling height	3920 mm	4230 mm
Arm layout	asymmetrical	asymmetrical
Min. front arm length	470 mm	470 mm
Max. front arm length	1039 mm	1039 mm
Min. rear arm length	723 mm	723 mm
Max. rear arm length	1478 mm	1478 mm
Driving power	1 x 4kW	1 x 4kW
Power Supply	3 Ph 400 V 50 Hz	3 Ph 400 V 50 Hz
Width	3440 - 3496 mm	3440 - 3496 mm
Height	3865 mm	4170 mm



ACCESSORIES



VSG.2CALL.902818
Lift platform H 60 mm
(1 set, 4 pcs).



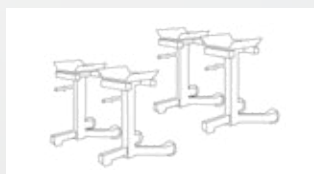
VSG.2CHYD.902917
Spacer kit (4 pcs 127mm, 4 pcs 90 mm) (Included in the scope of delivery).



VSG.2CALL.902641
Magnetic tray (1 set, 2 pcs).



VSG.2CALL.901163
Pads frame adapters kit Ø 120 mm
(1 set, 2 pcs).



VSG.2CALL.902085
Stands for alignment
(1 set, 4 pcs).



GP-SPO40Y
Auxiliary handle for base plate
(1 set, 2 pcs).



FJ6282Y
U-shaped support plate
(1 set 4 pcs).

Technical changes reserved. Data are considered advertisement.



GERMANY **BlitzRotary GmbH** Hüfingcr Straße 55 | 78199 Bräunlingen | +49 771 9233 0
 ITALY **Vehicle Service Group Italy S.r.l.** Via F. Brunelleschi 9 | 44020 Ostellato FE | +39 051 6781511
 FRANCE **RAV France SARL** 4, Rue De Longue Raie, ZAC de la Tremblaie | 91220 Le Plessis Pâté | +33 1 60 86 88 16
 UK **Vehicle Service Group UK Ltd** 3 Fourth Avenue, Bluebridge Industrial EST | Halstead, Essex, CO9 2SY | +44 1787 477711

a **DOVER** company

✉ info.emea@rotarysolutions.com

ROTARYsolutions.eu