

THE WAY TO THE FUTURE

TOMORROW SERIES

Revised technology shaping a modern design. The 2-post lifts of the **Tomorrow Series** of Rotary raise your workshop immediately into the future. Tested for 20000 cycles and designed for TEq-

Link online internet connection, your workshop is prepared for all innovations that are yet to come.

Capacity
4.0 t

ROTARY LIFT

+ RELIABLE & POWERFUL
+ FLEXIBLE & VERSATILE
+ MODERN & PREMIUM

High-strength rolled.

Permanent and automatic lubrication of the nuts to ensure effective operation during upward and downward movement.

Arms made of special steel, with first stage height just 70 mm and second stage height 85 mm.

Automatic arm lock and automatic ground release: conical geometry with self-locking effect.

Equipped with an acoustic anti toe trap system. Free from mechanical foot guards.

DETAILS



1 Steel high resistance rolled screw to provide long life.

2 High efficiency motors.

3 Premium quality of components.

+ Aluminium pulley with cooling function.

+ Long lasting bearings.

+ 50% longer bronze load nut.

+ Motors with reinforced and cooling casing.

+ Solid automatic arm locking.



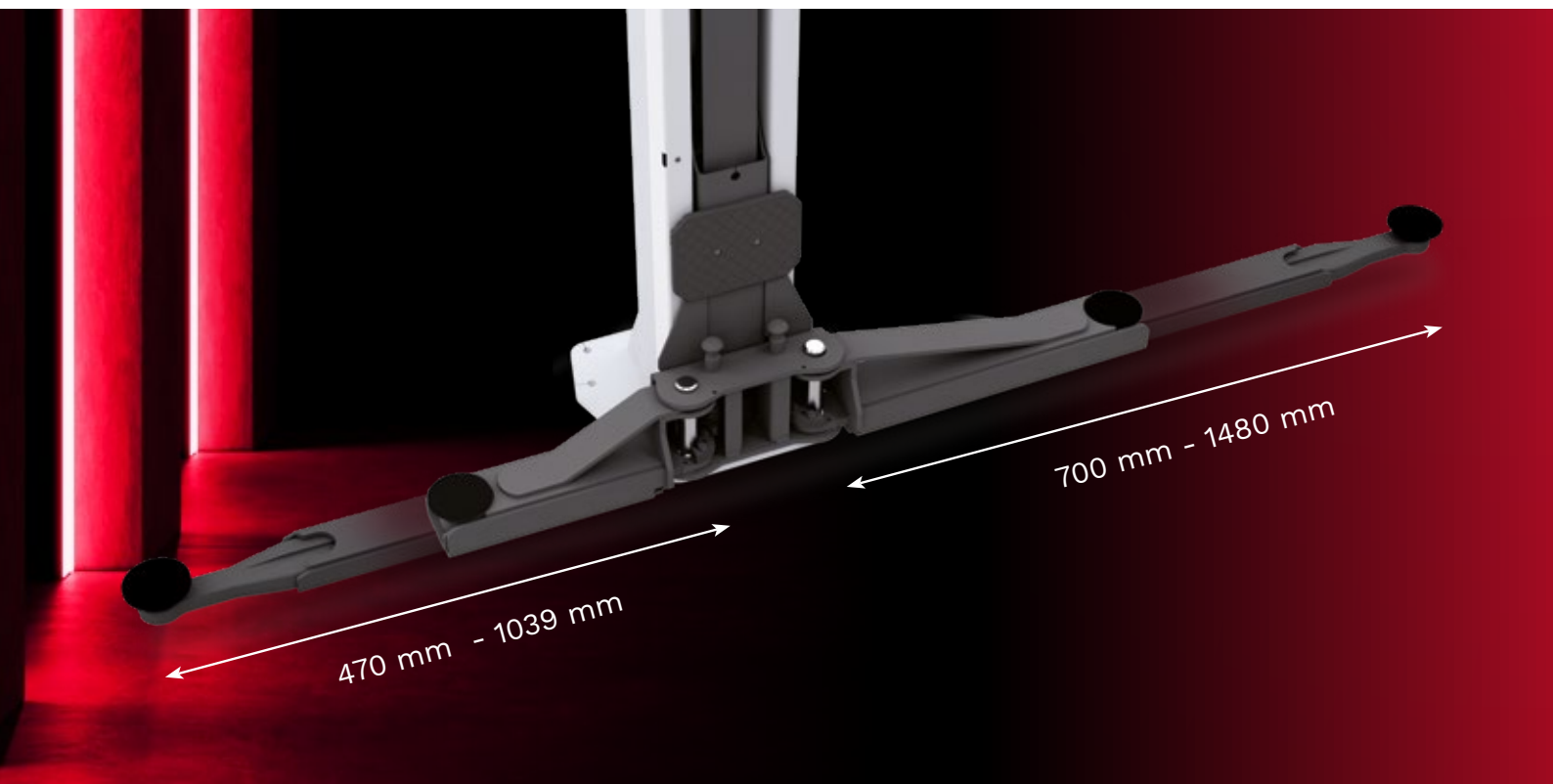
INNOVATIVE AV ARMS

The innovative AV ("All Vehicles") arms extend 20% further than conventional arms, allowing them to reach the lifting points of a wide range of vehicles.



GEOMETRY OF THE ARMS

The geometry of the arms is designed to lift every type of car from classic city cars to vans.

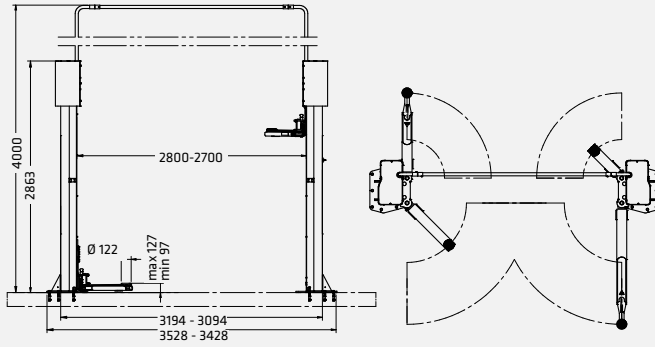


Closed arm.



Fully extended arm.

SPM40AV



	Item no.	Control	TEq-Link	Power supply
SPM40AV	ROT.SP40X.198228	push buttons	✓	400 V 50 Hz

Model	SPM40AV
Mode of drive	electromechanical
Type of installation	floor mounted
Capacity	4000 kg
Max. lifting height	2011 mm
Lifting time	58 s
Min. pad height	97 mm
Max. pad height	127 mm
Distance inside columns	2700 - 2800 mm
Distance outside columns	3194 - 3094 mm
Distance between outer plates	3528 mm
Column height	2863 mm
Drive-through width	2504 mm
Required ceiling height	4100 mm
Surface coating	powder coating
Telescopic rear arms	3-stage
Bracci posteriori telescopici	3-stage
Min. front arm length	470 mm
Max. front arm length	1039 mm
Min. rear arm length	700 mm
Max. rear arm length	1480 mm
Driving power	2x3.5 kW
Electrical connection	3 Ph 400 V 50 Hz
Max. height	4000 mm



ACCESSORIES



1 Eyebolt for handling columns (3.2 t - 3.5 t - 4.2 t). It facilitates installation of the lift, can be used again for other installations.

2 Inground cable connection kit. Allows columns connection cables to be placed inground, eliminating the overhead connecting pipes and height restrictions. Ideal for workshops with low ceilings.

3 Outrigger plates kit (4/4.2/4.5 t). 1 set of 2 plates, allowing installation on floors with poor capacity or lower concrete thickness.

4 Vehicles lift platforms kit. 1 set with 4 ramps, ramp height 60 mm.

5 Kit of stands for alignment. 1 set with 4 stands.

6 Magnetic tray. 1 set with 2 trays.

7 Spacer kit (127mm+90mm).

8 Frame grip pad kit.