

THE NEW POWER OF 3D ALIGNERS

SPEED32 SERIES

The SPEED32 series is the second generation of Rotary 3D wheel aligners. Its innovative system of 3D cameras with Bluetooth transmission can be used on different types of lifts thanks to its automatic flatness compensation. Its compact size also makes it suitable for those workshops having limited space.

+ New 3D measuring heads: more compact and better performing
 + Eco Cabinet: cabinet made with low environmental impact material (models HP, HPR and SP)
 + Smart technology: software with updated graphics, intuitive user interface, animations and adjustment aids so work is rapid and effective

The 3D measuring heads integrated with the lift allow measurements to be taken obstacle-free.



MORE EFFICIENT WORKSHOP IN TERMS OF SPACE AND OPERATIONS:

NO OBSTACLE.

Maximization of the workspace.

MINIMUM EFFORT.

Rapid compensation and in little off-centre space.

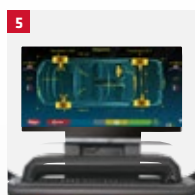
FAST TRANSMISSION.

Effective even in critical lighting conditions.

VERSATILE WHEEL ALIGNER.

One aligner for multiple working bays.

HIGHLIGHTS IN DETAIL



1 Built-in head with rubber protection and handle with plastic protection.

2 The 3D measurement heads fasten onto the lift in just a few seconds with a pivoting system.

3 Battery replacement with a quick release system.

4 Compartments designed to perfectly adapt to the 3D measurement heads without becoming lost or damaged. (Models HPR-HP and SP)

5 Management software and simple, intuitive display in Microsoft Windows environment. The high resolution graphics make the user experience simple and intuitive.

6 Bluetooth communication between the 3D measuring heads and the console with PC.



FEATURES OF THE 3D MEASURING HEADS:

- + LCD display for essential information
- + Five keys for software navigation, also remote controllable.
- + Remote control function.
- + LED repeaters to assist recording.
- + Measurement and automatic lift flatness compensation with high resolution cameras
- + Only one head installation position to measure different wheelbase vehicles.
- + Weight 3 kg.



QUICK AND ACCURATE MEASUREMENT.

The 3D measuring heads instantly read all vehicle angles with maximum precision.

THE REAL 3D TARGETS

Extremely lightweight, maintenance-free and have no electronic components.

- + with doors fitted with dampers: safety and comfort for the operator.

ECO CABINET

- + Optimised space for higher productivity.

Screen 27".

Easy to reach battery charger.

Keyboard and mouse compartment.

Compartment for printer (included).

Large handles provide a secure and comfortable grip.

Wheel diameter 125 mm.



Models SPEED 32P HPR-HP



Model SPEED 32P SP

Screen 22".

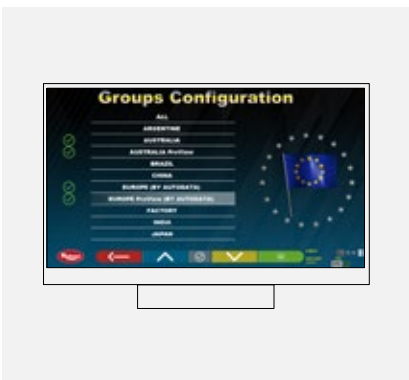
Easy to reach battery charger.

Keyboard and mouse compartment.

Compartment for printer (included).

Large handles provide a secure and comfortable grip.

Wheel diameter 100 mm.

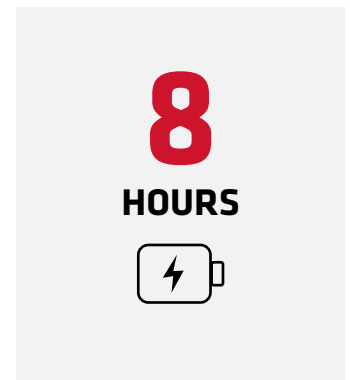


INTERNATIONAL DATA BANK

with vehicle technical data sheets and possibility to create a customer database for adjustment recording.



COMPATIBLE WITH THE TEeq-LINK CONNECTED WORKSHOP, SHOOT&GO AND ADAS SYSTEM.



THE 8-HOUR BATTERY LIFETIME

offers the freedom of working a full day without any interruptions.

IN COMBINATION

The Real 3D targets allow the run out compensation procedure to be skipped to speed up the operator's activity and maximize workshop efficiency.

TWO TYPES OF CLAMPS AVAILABLE:



Set of 4 self-centring **3-point clamps** with push rods made of ABS, which guarantees high strength and lifetime.



Set of 4 self-centring **4-point clamps**.



+ **STDA38K** allows you to avoid the run out procedure. (Optional for self-centring 4-point clamps)

CABINET OPENED

+ and lightweight cabinet for greater manoeuvrability.



Model
SPEED 32 L



Screen 22".

Easy to reach battery charger.

Optimised space for storing equipment.

Wheel diameter 100 mm.



Dedicated hooks for greater safety of the 3D measuring heads.

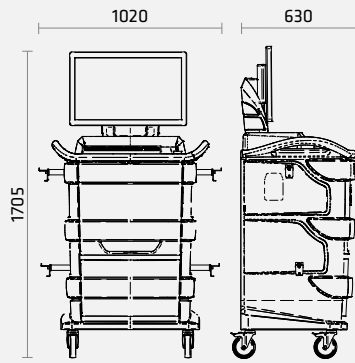
MODEL OVERVIEW

	Item no.	Colour
SPEED 32P HPR	ROT.D32HP.700001	RAL3002
SPEED 32P HP	ROT.D32HP.700049	RAL3002
SPEED 32P SP	ROT.D32SP.700193	RAL3002
SPEED 32P SP	ROT.D32SP.700230	RAL3002
SPEED 32 L	ROT.D32LT.700070	RAL7040
SPEED 32 L	ROT.D32LT.700254	RAL7040

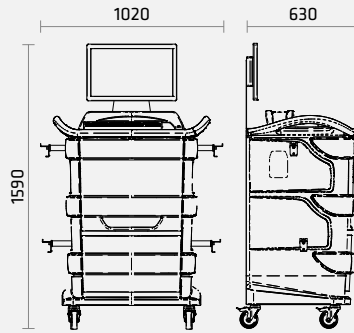
STANDARD EQUIPMENT

Cabinet	Clamps
closed	3-point
closed	3-point
closed	3-point
closed	4-point
open	3-point
open	4-point

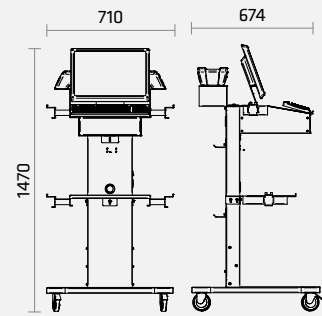
SPEED32PHPR- SPEED32PHP



SPEED32PSP



SPEED32L

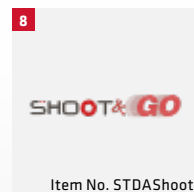
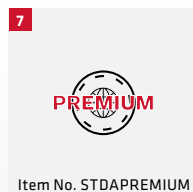
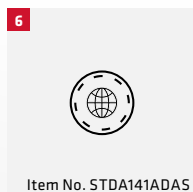
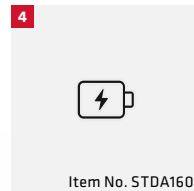
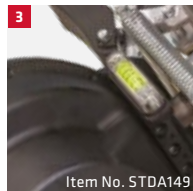


Model

HPR-HP SP L

Individual toe front/rear axle	+/- 20°
Total toe	+/- 20°
Toe-out on turns	+/- 20°
Camber front/rear axle	+/- 10°
Caster	+/- 18°
SAI	+/- 18°
Set-back	+/- 5°
Set-back front axle	+/- 5°
Geometric centre line	+/- 5°
Thrust angle	+/- 5°
Max. steering angle	+/- 50°
Min. tyre size	8"
Max. tyre size	24"
Max. wheel diameter	910 mm
Max. wheel base	4.500 mm

ACCESSORIES



1 Set of quick locking arms to upgrade 4-point clamps (4 pieces).

2 Pair of premium turn tables HD Ø 360 mm.

3 Kit of 4 spirit levels for targets.

4 Kit containing 2 batteries.

5 Token (software licence) to use with on smartphones/tablets.

6 Advanced enabling of ADAS functions.

7 Token for additional functions.

8 Token for consulting database on-line.

*Check price list for applicability to models.