

# ELECTRONIC WHEEL BALANCER WITH MONITOR

## AUTOMATIC WHEEL BALANCER

Computerised electronic balancing machine with automatic stopping of the wheel in both internal and external unbalance

position. Rapid balancing program selection with internal gauge and automatic distance and diameter acquisition.

+ Utmost precision  
+ Practical design  
+ Intuitive technology

Run-out measurement: measurement of rim eccentricity with the distance gauge.

Wide frame for greater stability and measurement precision.

Eco-Weight: modern system for resetting the unbalance to reduce weight consumption.

Compatible with the TEq-Link system.



Program selection: rapid selection with the distance gauge.

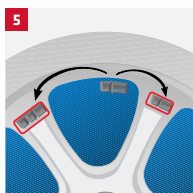
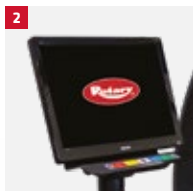
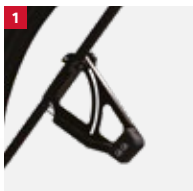
Professional rapid ring nut.

Double LED light and laser blade (with six o'clock line for adhesive weights) for easy application of the weight in the proper position.

Locking in position: automatic stopping of the wheel in both internal and external unbalance position.

Librak350LWS model

## DETAILS



1 Width gauge. (WS model only.)

2 22" monitor and membrane keyboard.

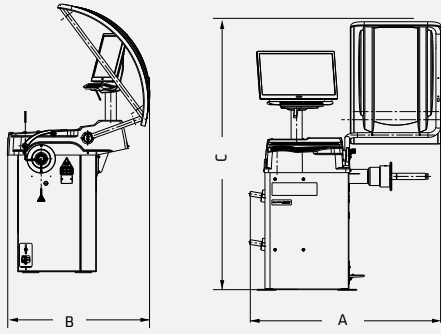
3 Large trays for clip-on and adhesive weights.

4 Automatic acquisition of the width by lowering the wheel protection. (WS models only.)

5 Hidden weight program to place the weights behind the spokes.

6 Graphics with self-explanatory icons to facilitate the use of the wheel balancer.

## LIBRAK350L



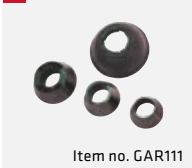
Model	LIBRAK350LPWS	LIBRAK350LWS	LIBRAK350L
Item no.	ROT.LB350.201638	ROT.LB350.201645	ROT.LB350.200549
Measuring speed	< 100 giri/min	< 100 giri/min	< 100 giri/min
Measuring time	6 s	6 s	6 s
Balancing accuracy +/-	1 g	1 g	1 g
Display	LED - 22" monitor	LED - 22" monitor	LED - 22" monitor
Rim width	1.5" - 22"	1.5" - 22"	1.5" - 22"
Rim diameter min.	10" - 26"	10" - 26"	10" - 26"
Wheel diameter max.	1090 mm	1090 mm	1090 mm
Wheel weight max.	70 kg	70 kg	70 kg
Power supply	200/240 V   50 - 60 Hz	200/240 V   50 - 60 Hz	200/240 V   50 - 60 Hz
Phases	1	1	1
A Depth	1260 mm	1260 mm	1210 mm
B Width	900 mm	900 mm	900 mm
C Height	1700 mm	1700 mm	1700 mm
Weight	145 kg	140 kg	140 kg

## STANDARD

1



2



Item no. GAR111

3



Item no. GAR345

4



Item no. GAR351

1 Gauge + caliper + counterweight.

2 Centering cones for passenger car (Ø 44-112 mm) 1 set / 3 pieces.

3 Quick clamping nut with pressure ring. Double centering, quickfit nut, for car wheels (excluding pneumatic locking versions)

4 Bush for air locking + with pressure ring. Standard scope of delivery for all balancers with air locking.

## OPTIONALS

5



Item no. GAR112

6



Item no. GAR113

7



Item no. GAR121

8



Item no. GAR131H

5 Centering cone for off-road vehicles (Ø 95-132 mm).

6 Centering cone for vans and light trucks (Ø 118-174 mm).

7 Rim protection disk.

8 Type clamping flange Universal.

9 Automatic wheel width gauge (ROT.LB350.200549).

9



Item no. GAR306

10



Item no. GAR132

11



Item no. GAR377

12



Item no. GAR324

10 Precision type clamping flange Universal, for wheels with 3/4/5 holes.

11 Ultrasonic runout measuring device. (Only models WS.)

12 Wheel lift with automatic compensation of wheel weight.