

WHEEL ALIGNERS EQUIPPED WITH CCD

SPEED WS SERIES

Wheel aligners equipped with CCD sensors, with data transmission via Bluetooth and powered by fast-charge batteries. The trailer-mounted cabinet provides full mobility between work stations as it is cable-free.

- + Open cabinet
- + Compact design
- + Smart technology

Open cabinet: greater control and manoeuvrability.

Extra-light CCD measuring heads (2.6 kg), 30% less compared to the previous model.



Software with updated graphics, intuitive user interface, animations and adjustment aids so work is rapid and effective.

The trailer-mounted console contains the PC, printer and monitor.

Model SPEED 6080 WS

DETAILS



1 Measuring heads with keyboard for remote control.

2 Models equipped with 3-point clamps (STDA35E) allow the run out compensation procedure to be skipped to speed up the operator's activity and maximise workshop efficiency.



SPOILER PROGRAM

The Spoiler Program for low profile sports cars steps in automatically and makes measurement possible without the use of accessories.



STEERING PROCEDURE

Electronic steering procedure via the CCD sensors to get the incidence value and tilt of the upright with extreme precision.



RUN OUT PROGRAM

The Run out program is available to push the vehicle 30° (rapid compensation and in little off-centre space)* without the need to lift the vehicle.

* Ø 500mm	> 150mm
Ø 600mm	> 170mm
Ø 700mm	> 200mm
Ø 800mm	> 230mm

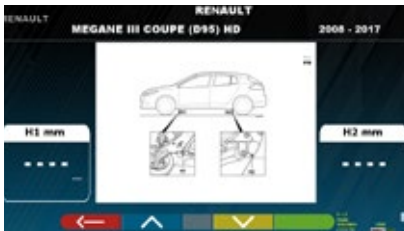


+ Program for managing and displaying data in Microsoft Windows environment.

+ Possibility for the user to manually enter new cars.

+ Customer databank for recording 20000 operations with search by name or vehicle plate number.

+ Databank with over 90000 vehicle technical data sheets.



DATABASE

Based on the height of the frame, the database automatically changes the wheel alignment specifications.



MOVIE PROGRAM

With the use of animated 3D graphics, the Movie program helps the user display the sequence of operations to perform to properly adjust the vehicle.



RAPID DIAGNOSIS

The rapid diagnosis of the frame's misalignment allows any problems with the body or shift of the rear axle to be highlighted (on 8-sensor models only).



SPEED 6080 WS

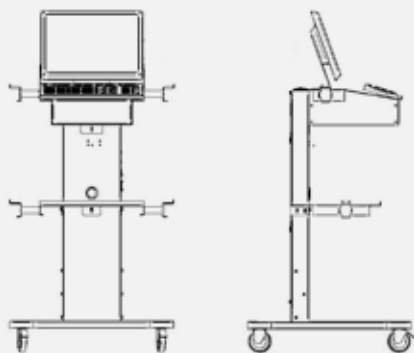


SPEED 6060 WS

MODEL OVERVIEW			STANDARD EQUIPMENT			
Item no.	Color		Console composition	Encoder	CCD sensors	Clamps
SPEED6080WS.3	ROT.SP608.700834	RAL7040	Computer- Keyboard - Monitor 22"- Printer- Battery charger	✓	8	3-point
SPEED6080WS.4	ROT.SP608.700773	RAL7040	Computer- Keyboard - Monitor 22"- Printer- Battery charger		8	4-point
SPEED6060WS.3	ROT.SP606.700865	RAL7040	Computer- Keyboard - Monitor 22"- Printer- Battery charger		6	3-point
SPEED6060WS.4	ROT.SP606.700803	RAL7040	Computer- Keyboard - Monitor 22"- Printer- Battery charger		6	4-point

(Models may vary in the different countries.)

SPEED 6080 WS - SPEED6060 WS



Model	SPEED 6080WS	SPEED 6060WS
Individual toe front/rear axle	+/- 20°	+/- 20°
Total toe	+/- 20°	+/- 20°
Toe-out on turns	+/- 20°	+/- 20°
Camber front/rear axle	+/- 10°	+/- 10°
Caster	+/- 18°	+/- 18°
SAI	+/- 18°	+/- 18°
Set-back	+/- 5°	not applicable
Set-back front axle	+/- 5°	+/- 5°
Thrust angle	+/- 5°	+/- 5°
Min. tyre size	8"	8"
Max. tyre size	24"	24"
Max. wheel base	4500 mm	4500 mm
Display	LCD	LCD
Display size	22"	22"
Data transmission type	cordless	cordless
Measuring system	CCD	CCD
Sensor count	8	6
Power supply	230 V 50 - 60 Hz	230 V 50 - 60 Hz

ACCESSORIES

For information on accessories, please refer to the dedicated documentation.

Technical changes reserved. Data are considered advertisement.
Wheel Aligner-SPEED-6080-6060-WS-BR-133045-en-2024-07