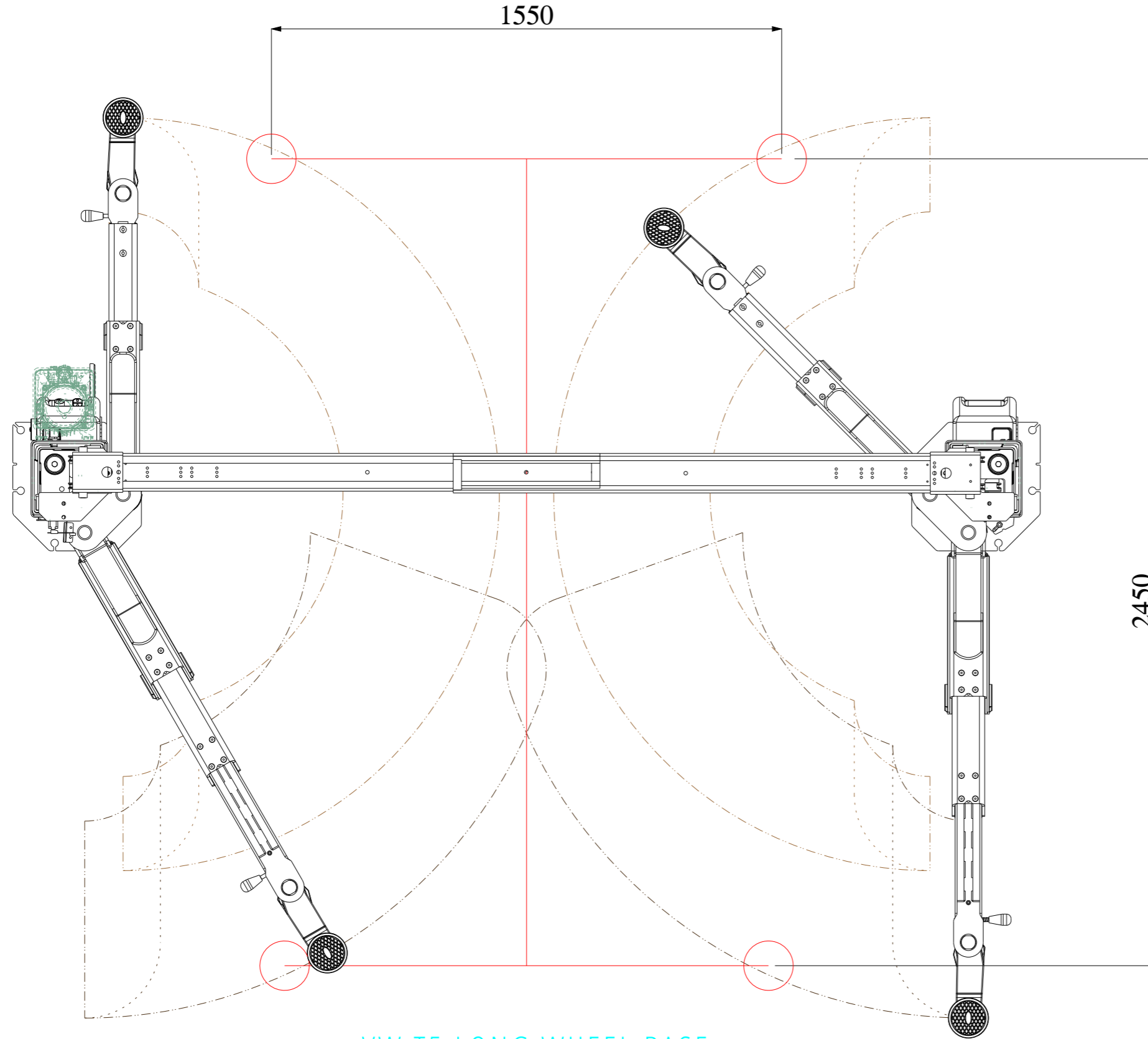

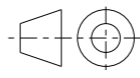


# VW T5 LONG WHEEL BASE

MODIFICATION INDEX	UPDATE INDEX	POSITION	MODIFICATION DESCRIPTION	MODIFICATION RELEASE	DATE	SIGNATURE
--------------------	--------------	----------	--------------------------	----------------------	------	-----------



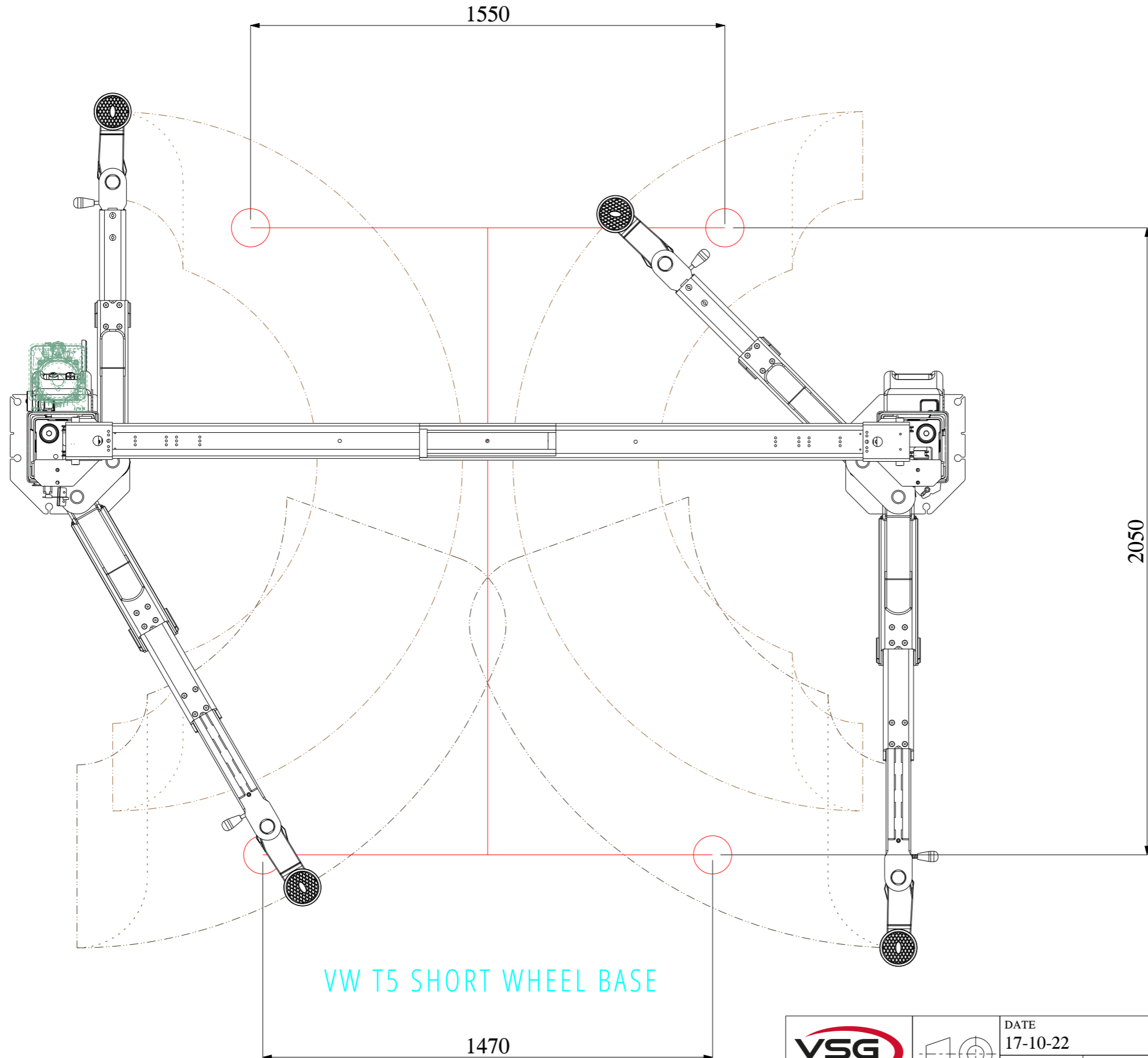
VW T5 LONG WHEEL BASE

		DATE 17-10-22	DRAWN BY Z GHUMMAN	CHECKED BY
		SCALE 7:100	NOTE	
DESCRIPTION PICK UP MATRIX SPOA3T-EV			CODE	U.I.
DOCUMENT OWNED BY RAVAGLIOLI s.p.a. ANY KIND OF USE, REPRODUCTION, AND DISSEMINATION MUST BE AUTHORIZED				


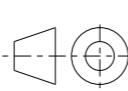
F  
E  
D  
C  
B  
A

# VW T5 SHORT WHEEL BASE

MODIFICATION INDEX	UPDATE INDEX	POSITION	MODIFICATION DESCRIPTION	MODIFICATION RELEASE	DATE	SIGNATURE
--------------------	--------------	----------	--------------------------	----------------------	------	-----------



VW T5 SHORT WHEEL BASE

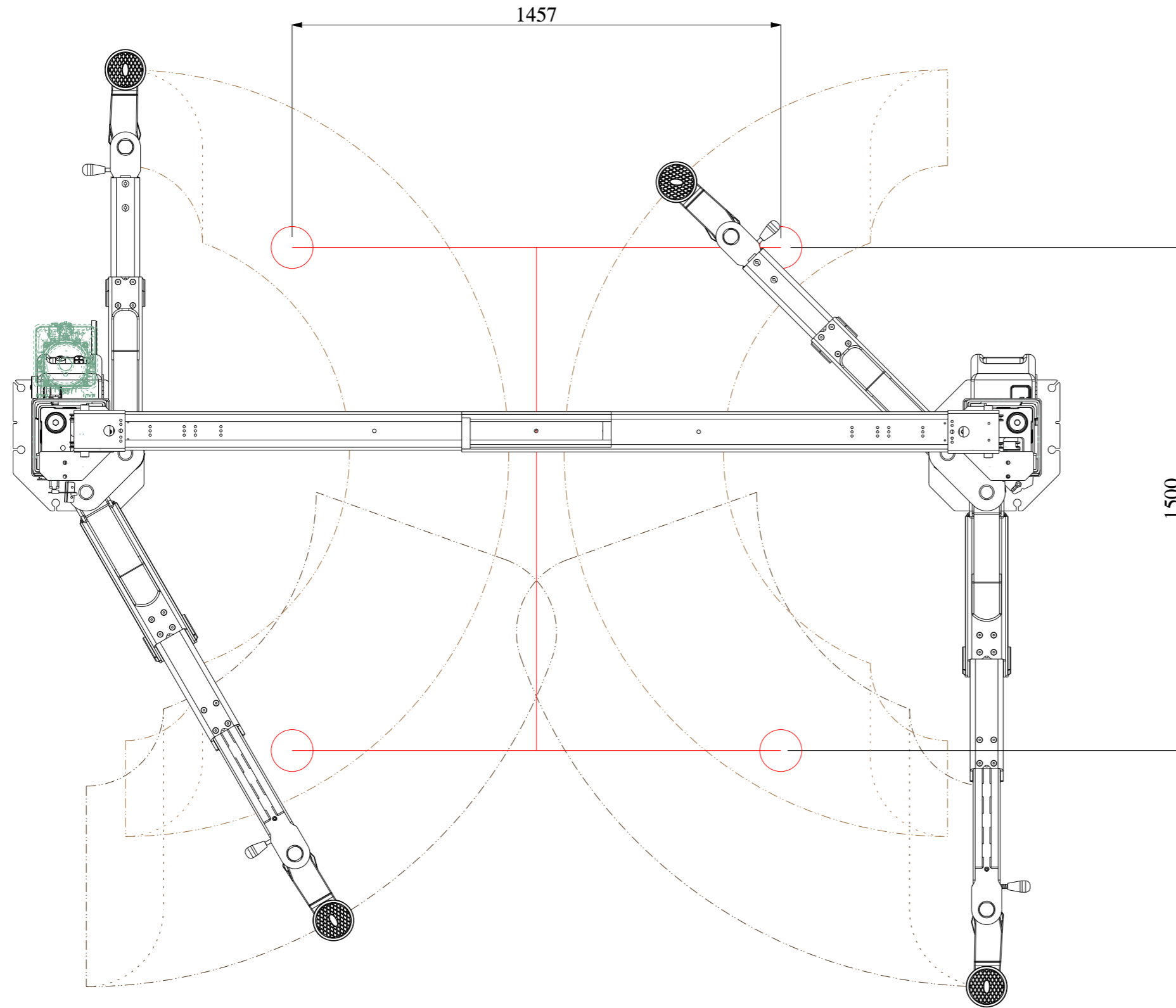
		DATE 17-10-22	DRAWN BY Z GHUMMAN	CHECKED BY
		SCALE 7:100	NOTE	
DESCRIPTION PICK UP MATRIX SPOA3T-EV			CODE	U.I.

DOCUMENT OWNED BY RAVAGLIOLI s.p.a. ANY KIND OF USE, REPRODUCTION, AND DISSEMINATION MUST BE AUTHORIZED

F  
E  
D  
C  
B  
A

# VW TOURAN

MODIFICATION INDEX	UPDATE INDEX	POSITION	MODIFICATION DESCRIPTION	MODIFICATION RELEASE	DATE	SIGNATURE
--------------------	--------------	----------	--------------------------	----------------------	------	-----------



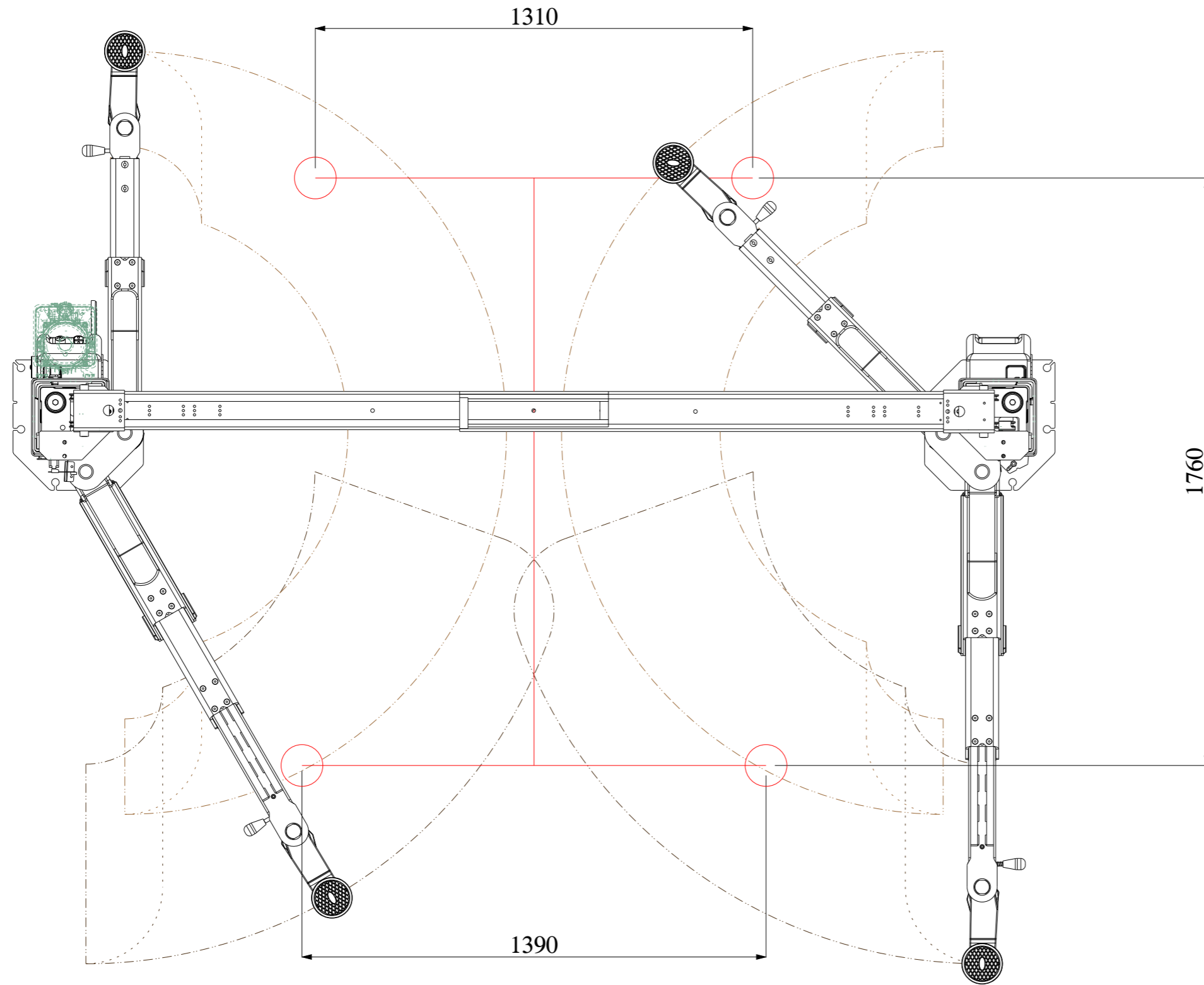
VW TOURAN

		DATE 17-10-22	DRAWN BY Z GHUMMAN	CHECKED BY
		SCALE 7:100	NOTE	
DESCRIPTION PICK UP MATRIX SPOA3T-EV			CODE	U.I.
DOCUMENT OWNED BY RAVAGLIOLI s.p.a. ANY KIND OF USE, REPRODUCTION, AND DISSEMINATION MUST BE AUTHORIZED				


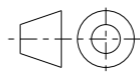
F  
E  
D  
C  
B  
A

# VW TOUAREG

MODIFICATION INDEX	UPDATE INDEX	POSITION	MODIFICATION DESCRIPTION	MODIFICATION RELEASE	DATE	SIGNATURE
--------------------	--------------	----------	--------------------------	----------------------	------	-----------



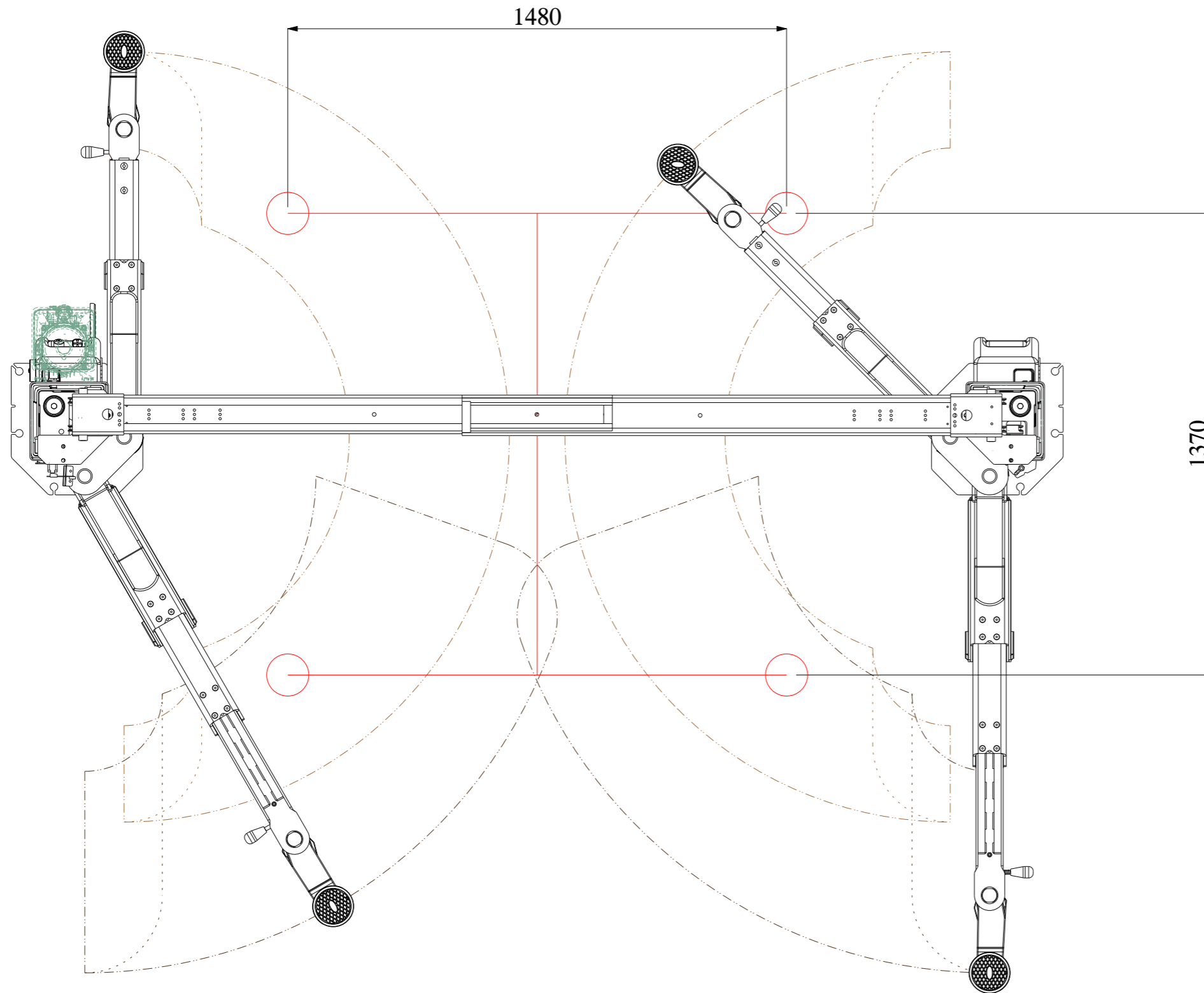
VW TOUAREG

		DATE 17-10-22	DRAWN BY Z GHUMMAN	CHECKED BY
		SCALE 7:100	NOTE	
DESCRIPTION PICK UP MATRIX SPOA3T-EV			CODE	U.I.
DOCUMENT OWNED BY RAVAGLIOLI s.p.a. ANY KIND OF USE, REPRODUCTION, AND DISSEMINATION MUST BE AUTHORIZED				

F  
E  
D  
C  
B  
A

# VW TIGUAN

MODIFICATION INDEX	UPDATE INDEX	POSITION	MODIFICATION DESCRIPTION	MODIFICATION RELEASE	DATE	SIGNATURE
--------------------	--------------	----------	--------------------------	----------------------	------	-----------



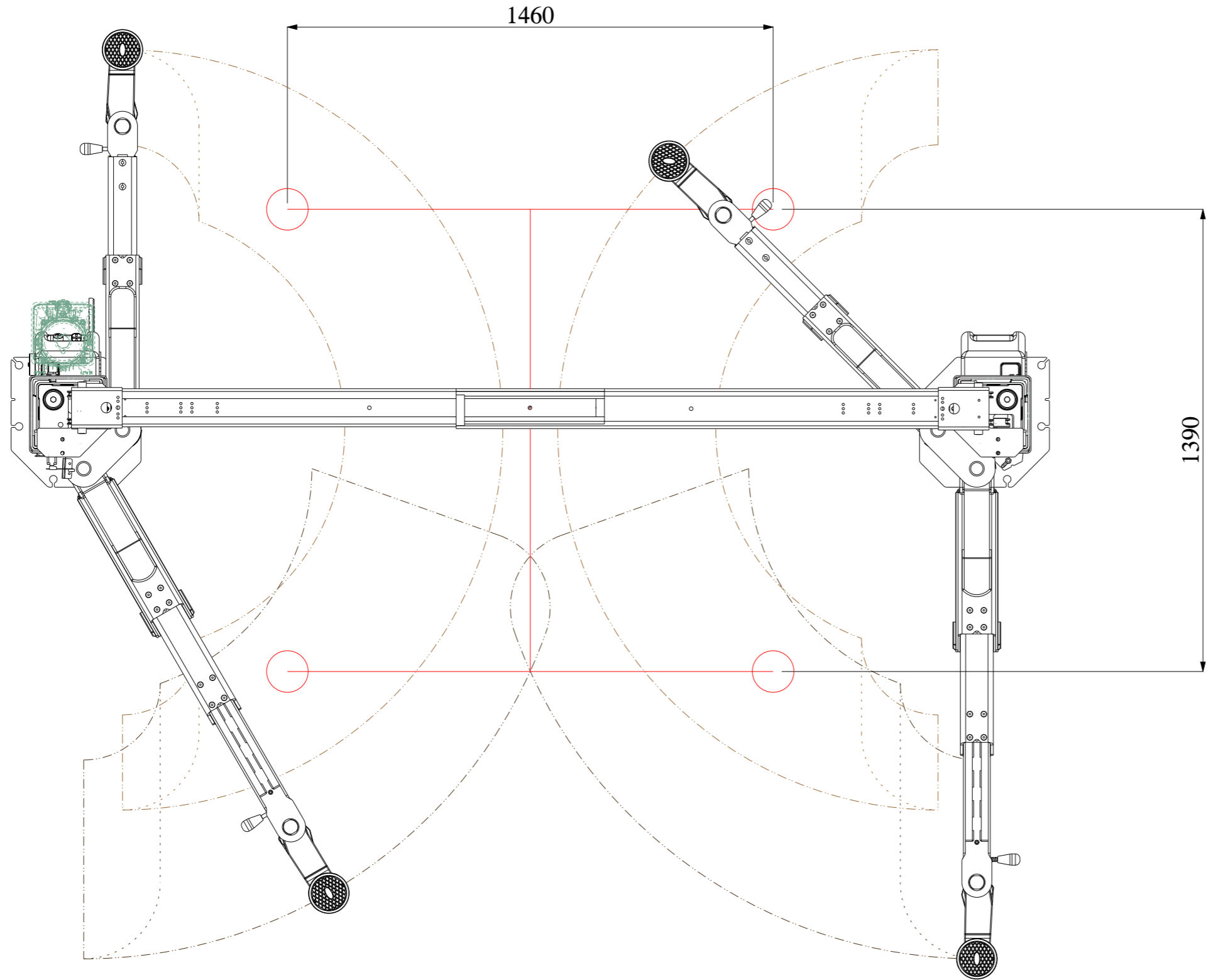
VW TIGUAN

		DATE 17-10-22	DRAWN BY Z GHUMMAN	CHECKED BY
		SCALE 7:100	NOTE	
DESCRIPTION PICK UP MATRIX SPOA3T-EV			CODE	U.I.
DOCUMENT OWNED BY RAVAGLIOLI s.p.a. ANY KIND OF USE, REPRODUCTION, AND DISSEMINATION MUST BE AUTHORIZED				

F  
E  
D  
C  
B  
A

# VW EOS

MODIFICATION INDEX	UPDATE INDEX	POSITION	MODIFICATION DESCRIPTION	MODIFICATION RELEASE	DATE	SIGNATURE
--------------------	--------------	----------	--------------------------	----------------------	------	-----------



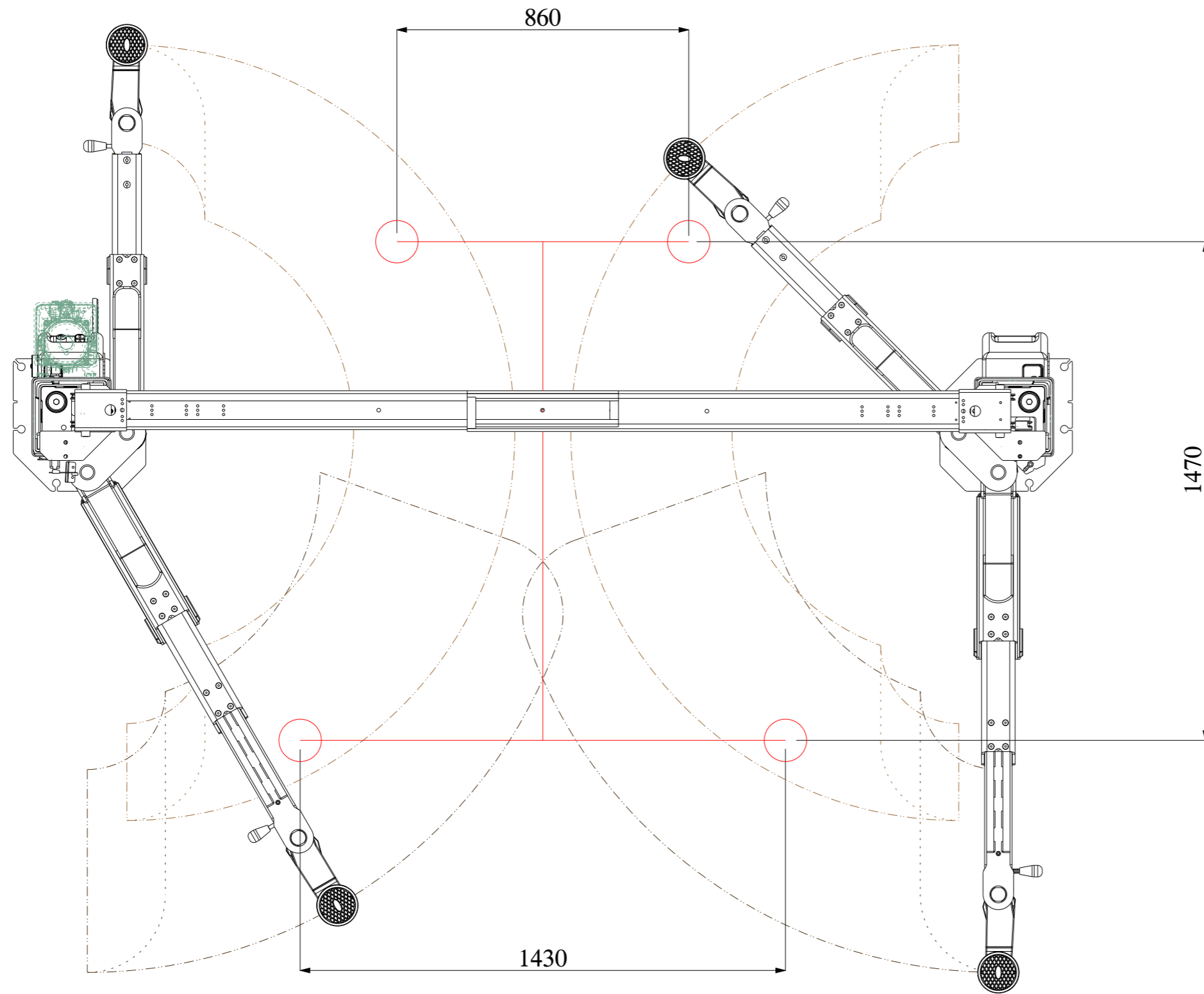
VW EOS

		DATE 17-10-22	DRAWN BY Z GHUMMAN	CHECKED BY
		SCALE 7:100	NOTE	
DESCRIPTION PICK UP MATRIX SPOA3T-EV			CODE	U.I.
DOCUMENT OWNED BY RAVAGLIOLI s.p.a. ANY KIND OF USE, REPRODUCTION, AND DISSEMINATION MUST BE AUTHORIZED				

F  
E  
D  
C  
B  
A

# AUDI A3

MODIFICATION INDEX	UPDATE INDEX	POSITION	MODIFICATION DESCRIPTION	MODIFICATION RELEASE	DATE	SIGNATURE
--------------------	--------------	----------	--------------------------	----------------------	------	-----------



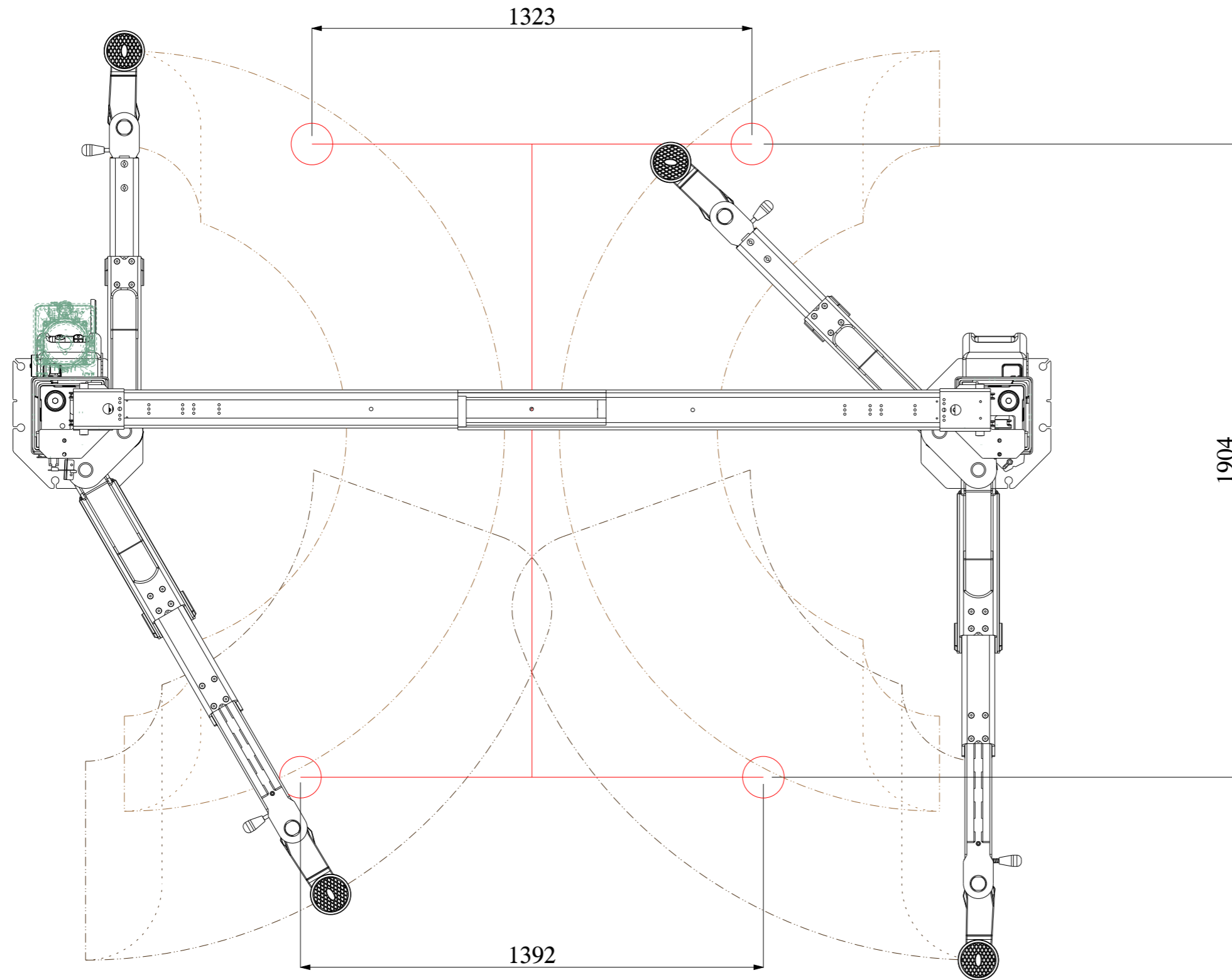
AUDI A3

		DATE 17-10-22	DRAWN BY Z GHUMMAN	CHECKED BY
		SCALE 7:100	NOTE	
DESCRIPTION PICK UP MATRIX SPOA3T-EV			CODE	U.I.
DOCUMENT OWNED BY RAVAGLIOLI s.p.a. ANY KIND OF USE, REPRODUCTION, AND DISSEMINATION MUST BE AUTHORIZED				


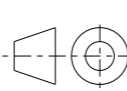
F  
E  
D  
C  
B  
A

# AUDI Q7

MODIFICATION INDEX	UPDATE INDEX	POSITION	MODIFICATION DESCRIPTION	MODIFICATION RELEASE	DATE	SIGNATURE
--------------------	--------------	----------	--------------------------	----------------------	------	-----------



AUDI Q7

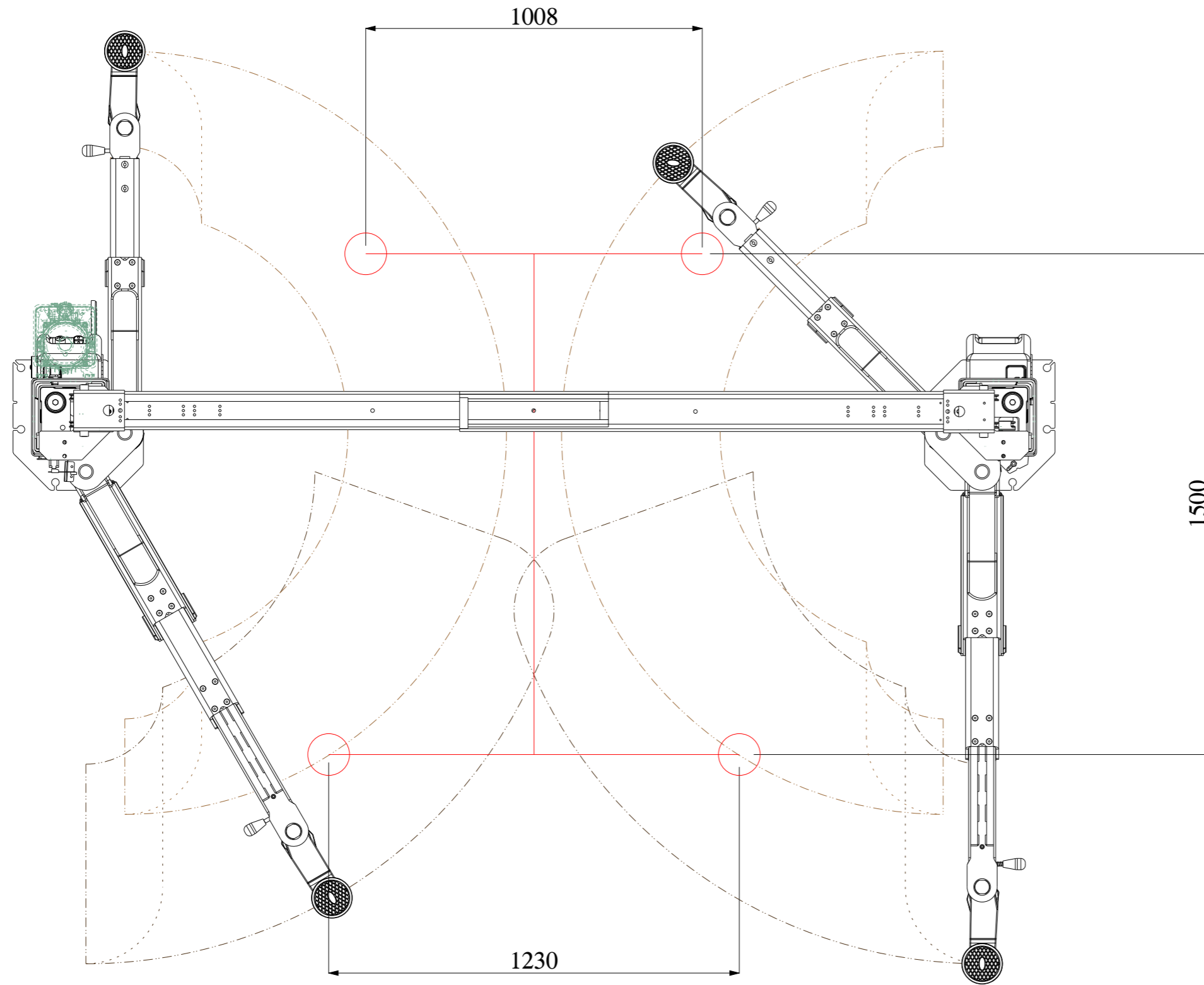
		DATE 17-10-22	DRAWN BY Z GHUMMAN	CHECKED BY
		SCALE 7:100	NOTE	
DESCRIPTION PICK UP MATRIX SPOA3T-EV			CODE	U.I.
DOCUMENT OWNED BY RAVAGLIOLI s.p.a. ANY KIND OF USE, REPRODUCTION, AND DISSEMINATION MUST BE AUTHORIZED				

F  
E  
D  
C  
B  
A



# AUDI S3

MODIFICATION INDEX	UPDATE INDEX	POSITION	MODIFICATION DESCRIPTION	MODIFICATION RELEASE	DATE	SIGNATURE
--------------------	--------------	----------	--------------------------	----------------------	------	-----------



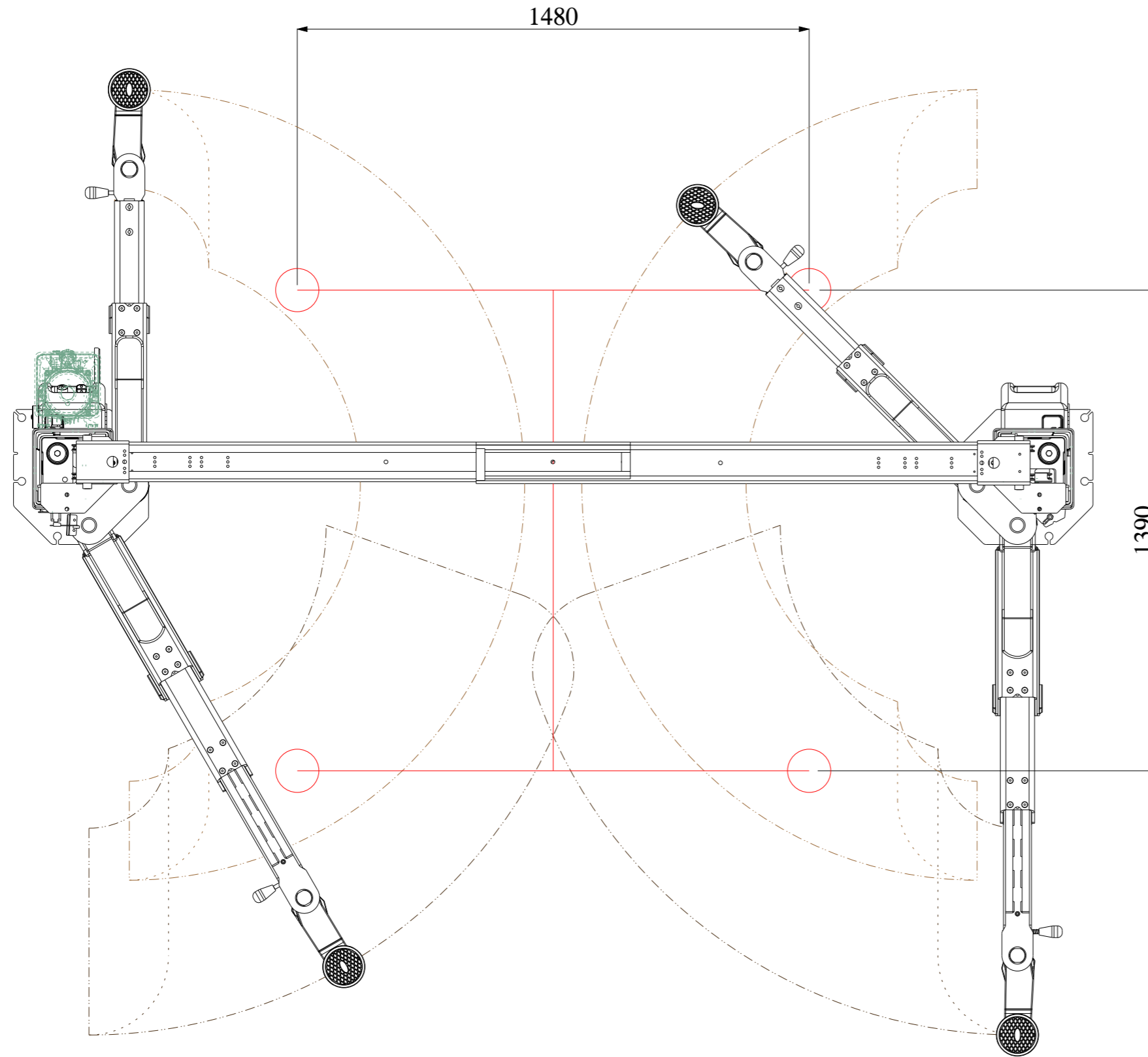
AUDI S3

		DATE 17-10-22	DRAWN BY Z GHUMMAN	CHECKED BY
		SCALE 7:100	NOTE	
DESCRIPTION PICK UP MATRIX SPOA3T-EV			CODE	U.I.
DOCUMENT OWNED BY RAVAGLIOLI s.p.a. ANY KIND OF USE, REPRODUCTION, AND DISSEMINATION MUST BE AUTHORIZED				

F  
E  
D  
C  
B  
A

# AUDI S4

MODIFICATION INDEX	UPDATE INDEX	POSITION	MODIFICATION DESCRIPTION	MODIFICATION RELEASE	DATE	SIGNATURE
--------------------	--------------	----------	--------------------------	----------------------	------	-----------



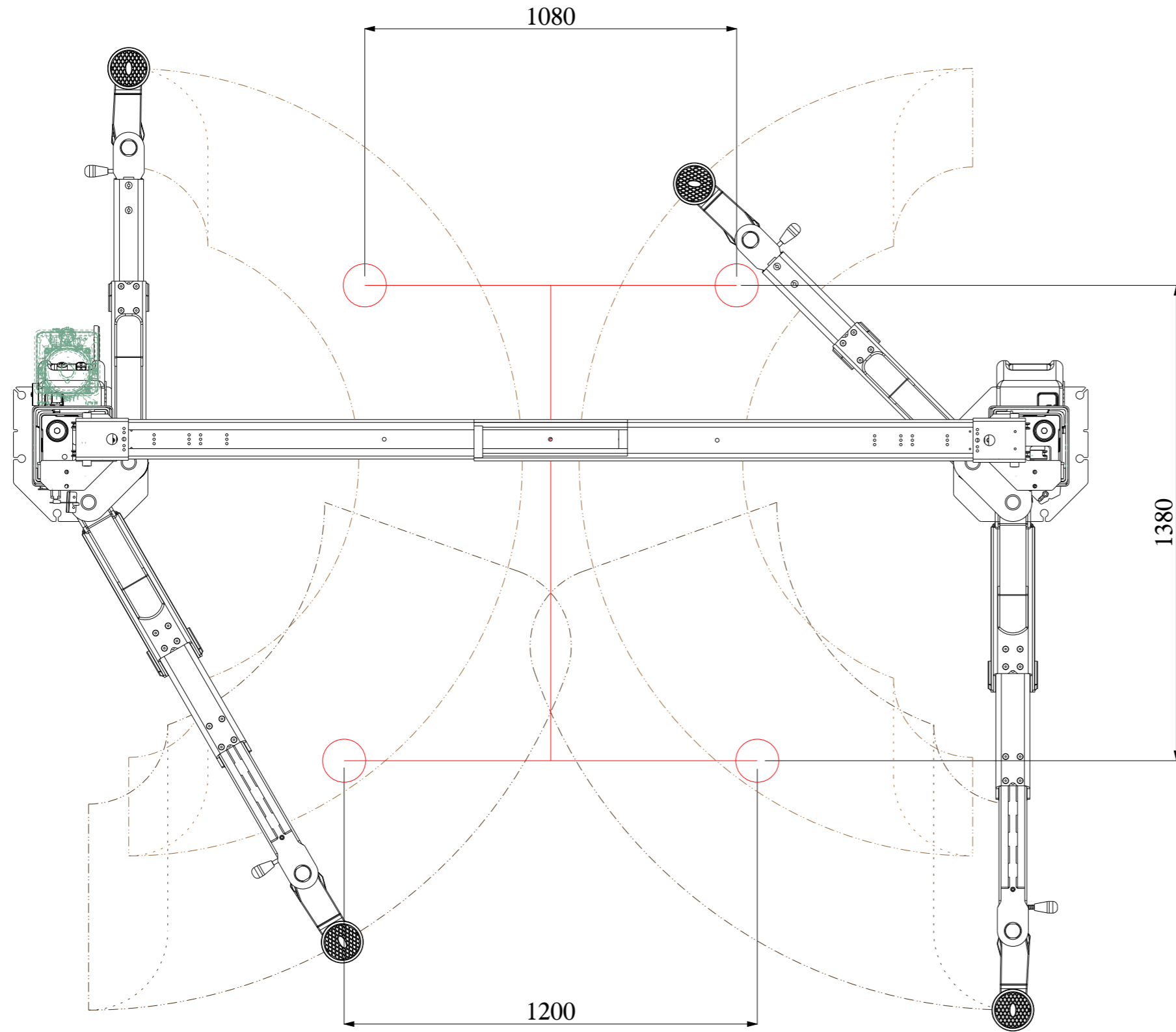
AUDI S4

		DATE 17-10-22	DRAWN BY Z GHUMMAN	CHECKED BY
		SCALE 7:100	NOTE	
DESCRIPTION PICK UP MATRIX SPOA3T-EV			CODE	U.I.
DOCUMENT OWNED BY RAVAGLIOLI s.p.a. ANY KIND OF USE, REPRODUCTION, AND DISSEMINATION MUST BE AUTHORIZED				

F  
E  
D  
C  
B  
A

# AUDI R8

MODIFICATION INDEX	UPDATE INDEX	POSITION	MODIFICATION DESCRIPTION	MODIFICATION RELEASE	DATE	SIGNATURE
--------------------	--------------	----------	--------------------------	----------------------	------	-----------



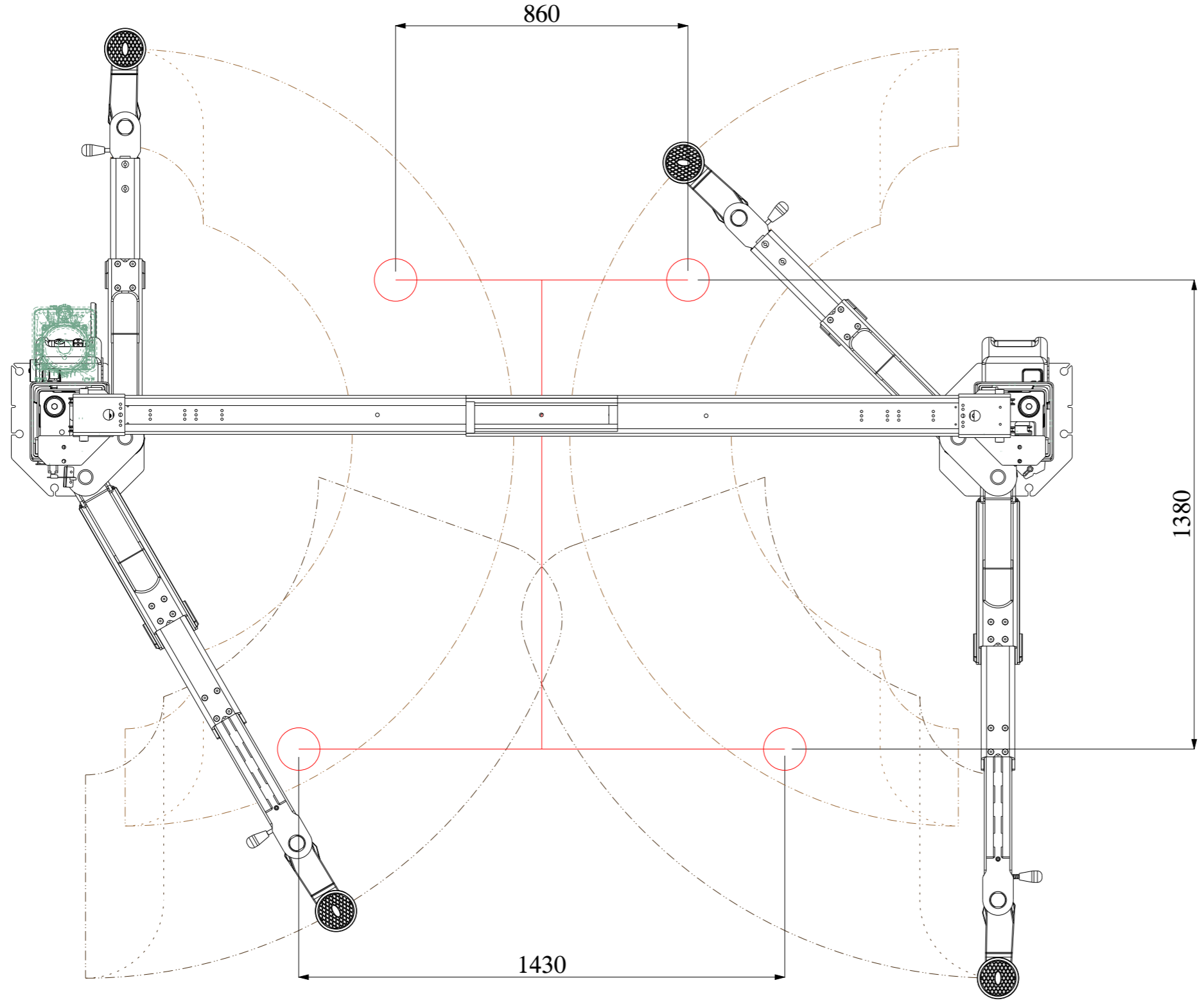
AUDI R8

		DATE 17-10-22	DRAWN BY Z GHUMMAN	CHECKED BY
		SCALE 7:100	NOTE	
DESCRIPTION PICK UP MATRIX SPOA3T-EV			CODE	U.I.
DOCUMENT OWNED BY RAVAGLIOLI s.p.a. ANY KIND OF USE, REPRODUCTION, AND DISSEMINATION MUST BE AUTHORIZED				

F  
E  
D  
C  
B  
A

# AUDI TT

MODIFICATION INDEX	UPDATE INDEX	POSITION	MODIFICATION DESCRIPTION	MODIFICATION RELEASE	DATE	SIGNATURE
--------------------	--------------	----------	--------------------------	----------------------	------	-----------



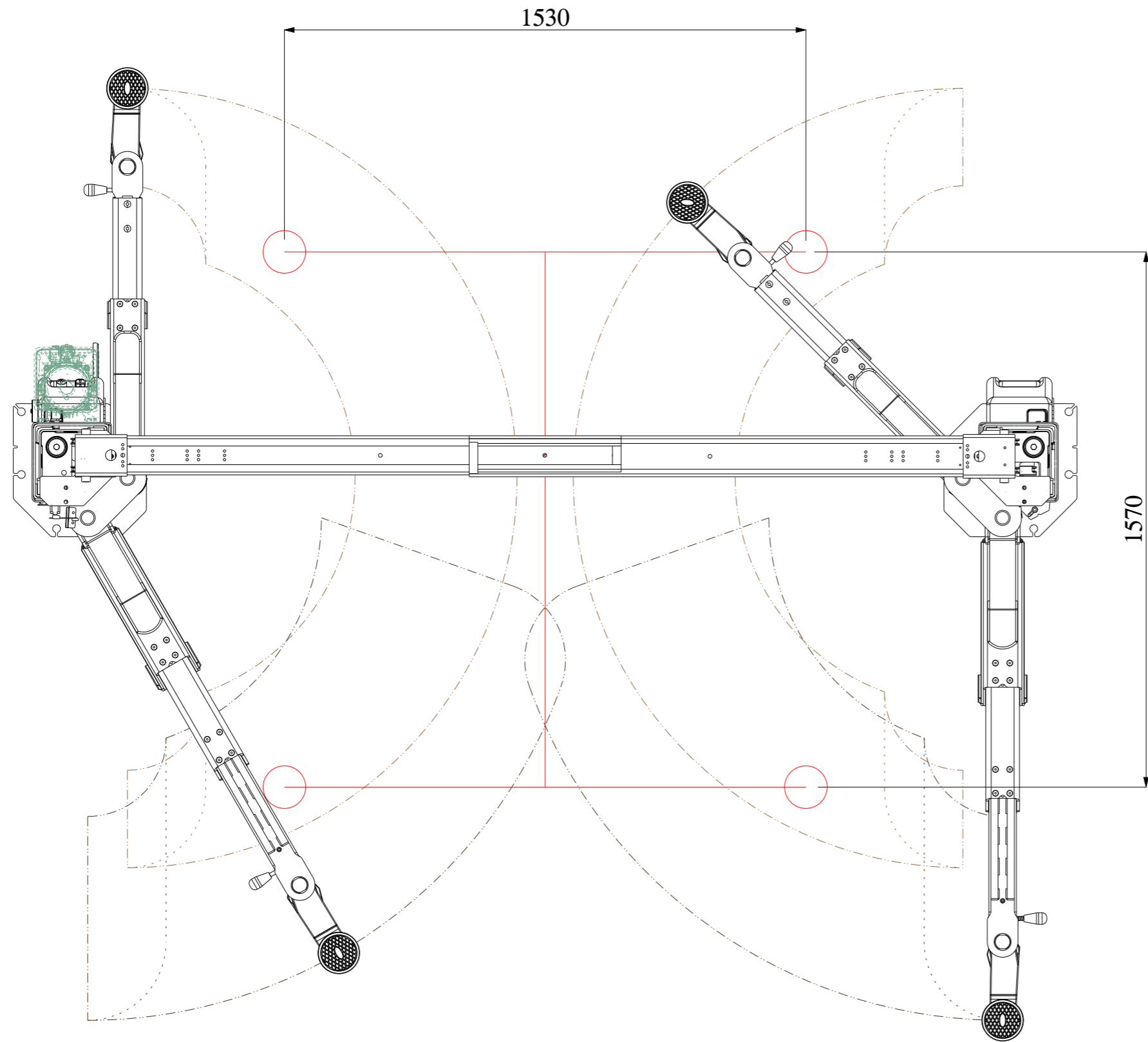
AUDI TT

		DATE 17-10-22	DRAWN BY Z GHUMMAN	CHECKED BY
		SCALE 7:100	NOTE	
DESCRIPTION PICK UP MATRIX SPOA3T-EV			CODE	U.I.
DOCUMENT OWNED BY RAVAGLIOLI s.p.a. ANY KIND OF USE, REPRODUCTION, AND DISSEMINATION MUST BE AUTHORIZED				

F  
E  
D  
C  
B  
A

# VW ID4

MODIFICATION INDEX	UPDATE INDEX	POSITION	MODIFICATION DESCRIPTION	MODIFICATION RELEASE	DATE	SIGNATURE
--------------------	--------------	----------	--------------------------	----------------------	------	-----------



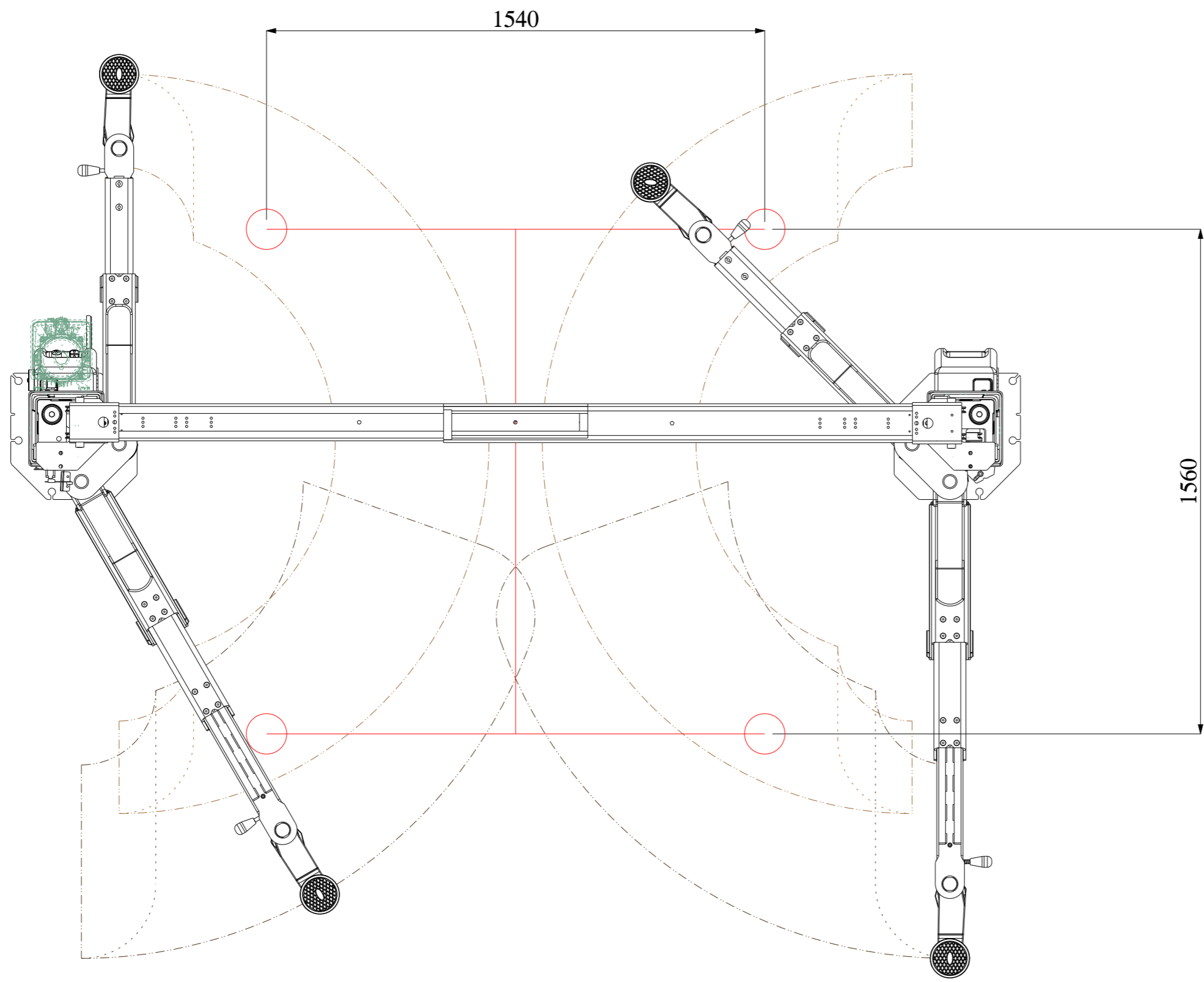
VW ID4

		DATE 17-10-22	DRAWN BY Z GHUMMAN	CHECKED BY
		SCALE 7:100	NOTE	
DESCRIPTION PICK UP MATRIX SPOA3T-EV			CODE	U.I.
DOCUMENT OWNED BY RAVAGLIOLI s.p.a. ANY KIND OF USE, REPRODUCTION, AND DISSEMINATION MUST BE AUTHORIZED				

F  
E  
D  
C  
B  
A

# AUDI Q4 ETRON

MODIFICATION INDEX	UPDATE INDEX	POSITION	MODIFICATION DESCRIPTION	MODIFICATION RELEASE	DATE	SIGNATURE
--------------------	--------------	----------	--------------------------	----------------------	------	-----------

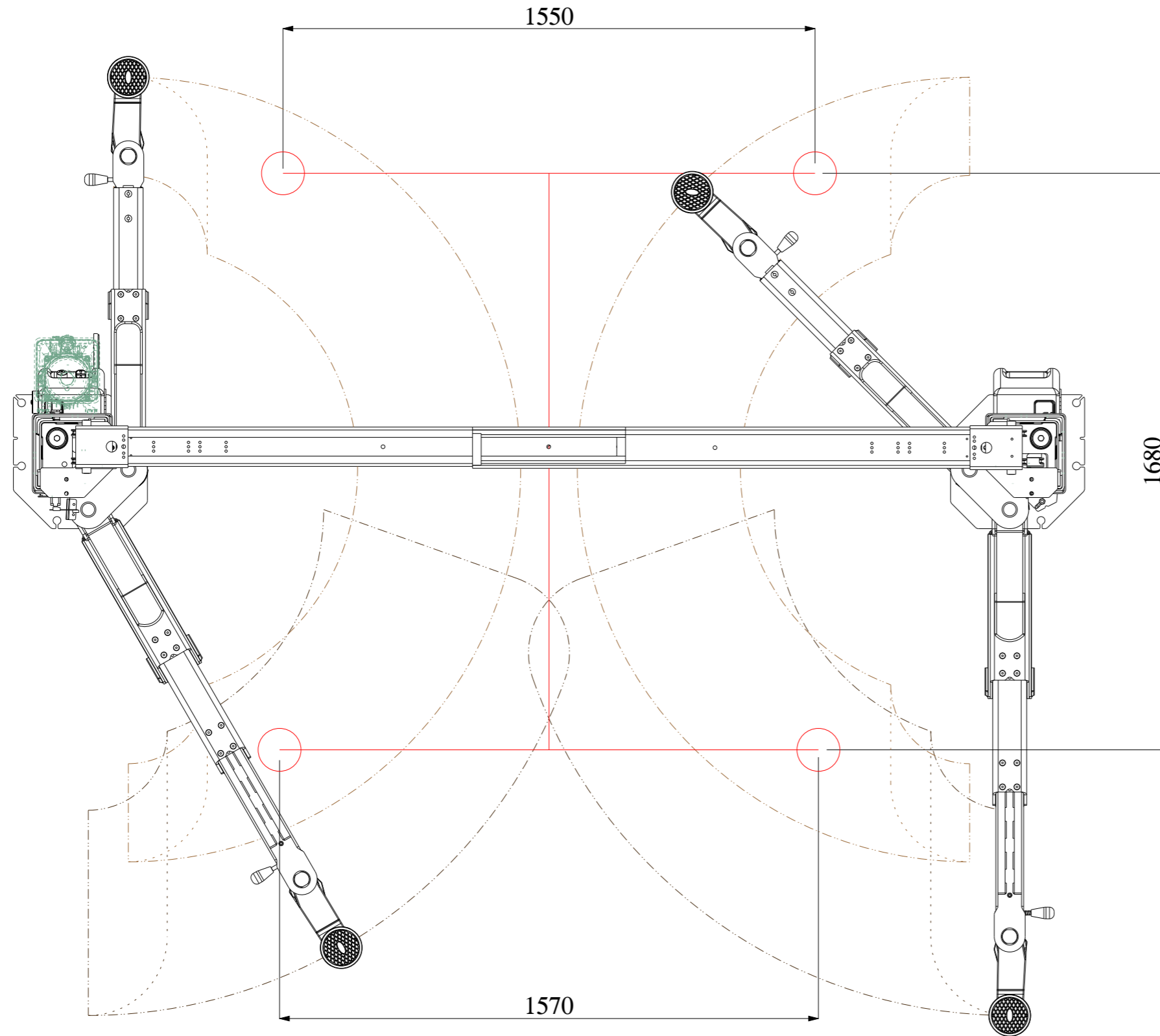


AUDI Q4 ETRON


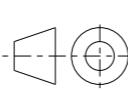
		DATE 17-10-22	DRAWN BY Z GHUMMAN	CHECKED BY
		SCALE 7:100	NOTE	
DESCRIPTION PICK UP MATRIX SPOA3T-EV			CODE	U.I.
DOCUMENT OWNED BY RAVAGLIOLI s.p.a. ANY KIND OF USE, REPRODUCTION, AND DISSEMINATION MUST BE AUTHORIZED				

# AUDI ETRON

MODIFICATION INDEX	UPDATE INDEX	POSITION	MODIFICATION DESCRIPTION	MODIFICATION RELEASE	DATE	SIGNATURE
--------------------	--------------	----------	--------------------------	----------------------	------	-----------



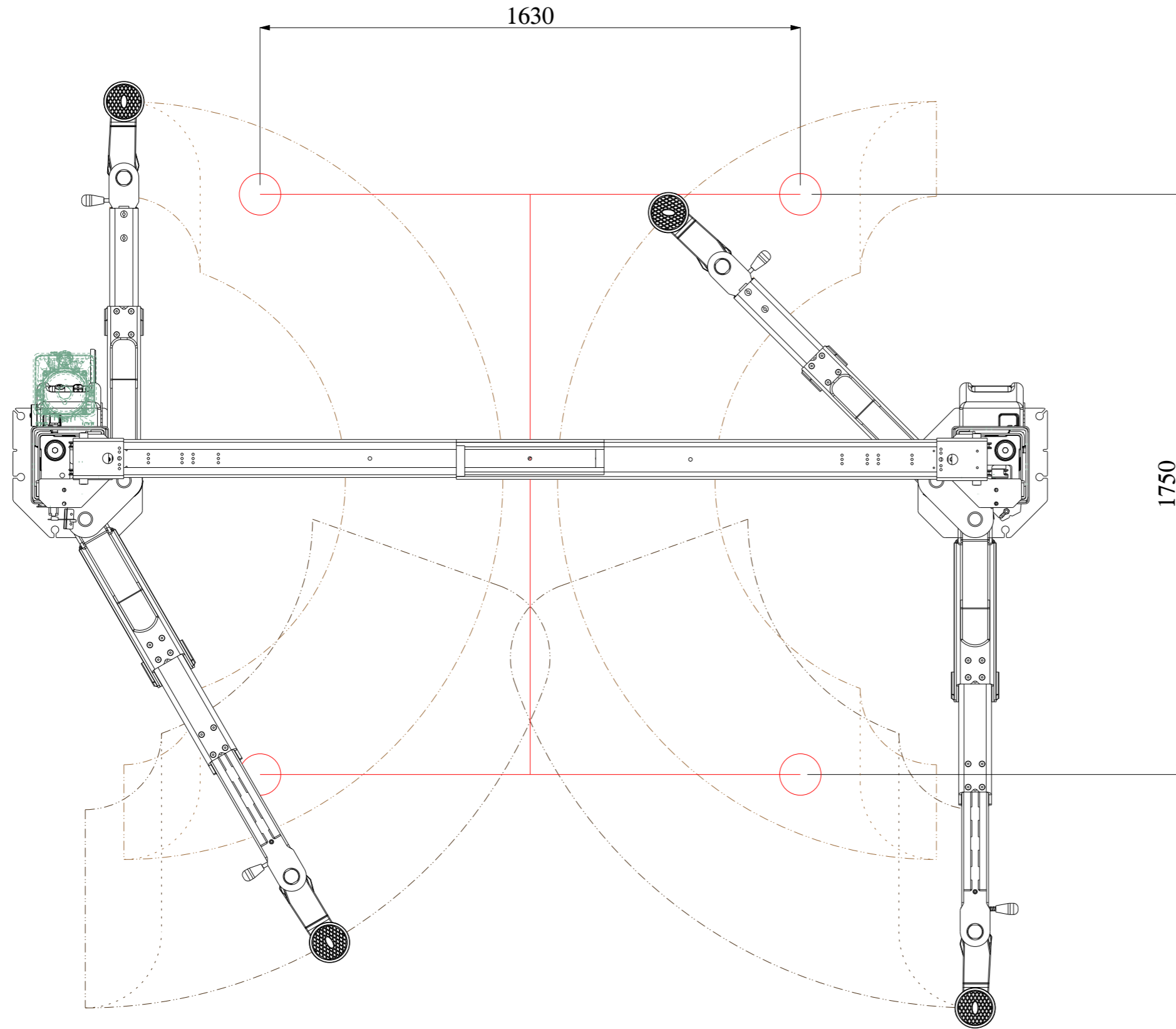
AUDI ETRON

		DATE 17-10-22	DRAWN BY Z GHUMMAN	CHECKED BY
		SCALE 7:100	NOTE	
DESCRIPTION PICK UP MATRIX SPOA3T-EV			CODE	U.I.
DOCUMENT OWNED BY RAVAGLIOLI s.p.a. ANY KIND OF USE, REPRODUCTION, AND DISSEMINATION MUST BE AUTHORIZED				


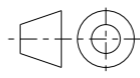
F  
E  
D  
C  
B  
A

# TESLA MODEL S / X

MODIFICATION INDEX	UPDATE INDEX	POSITION	MODIFICATION DESCRIPTION	MODIFICATION RELEASE	DATE	SIGNATURE
--------------------	--------------	----------	--------------------------	----------------------	------	-----------



TESLA MODEL S / X

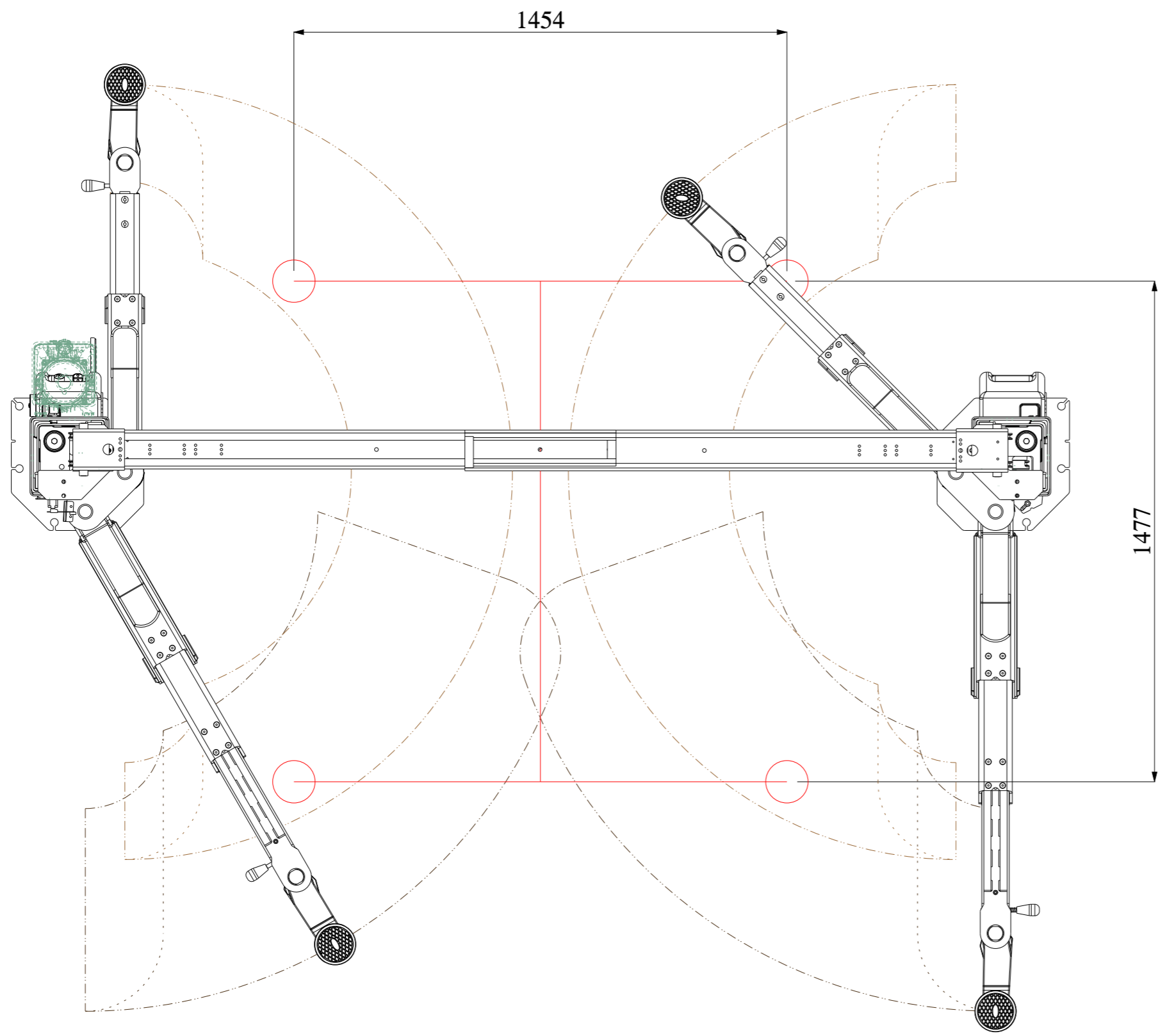
		DATE 17-10-22	DRAWN BY Z GHUMMAN	CHECKED BY
		SCALE 7:100	NOTE	
DESCRIPTION PICK UP MATRIX SPOA3T-EV			CODE	U.I.
DOCUMENT OWNED BY RAVAGLIOLI s.p.a. ANY KIND OF USE, REPRODUCTION, AND DISSEMINATION MUST BE AUTHORIZED				

F  
E  
D  
C  
B  
A



# TESLA MODEL 3

MODIFICATION INDEX	UPDATE INDEX	POSITION	MODIFICATION DESCRIPTION	MODIFICATION RELEASE	DATE	SIGNATURE
--------------------	--------------	----------	--------------------------	----------------------	------	-----------



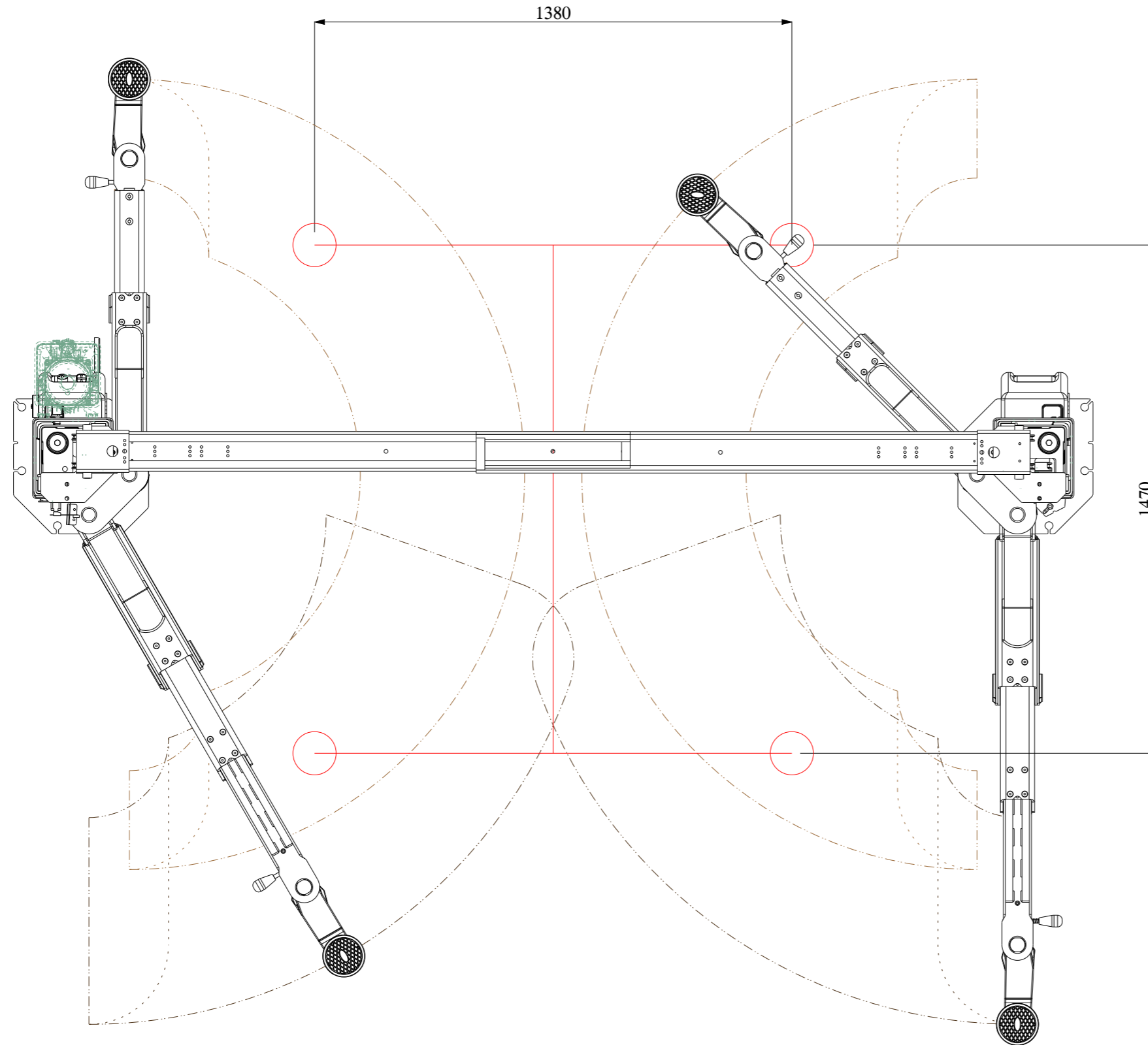
TESLA MODEL 3

		DATE 17-10-22	DRAWN BY Z GHUMMAN	CHECKED BY
		SCALE 7:100	NOTE	
DESCRIPTION PICK UP MATRIX SPOA3T-EV			CODE	U.I.
DOCUMENT OWNED BY RAVAGLIOLI s.p.a. ANY KIND OF USE, REPRODUCTION, AND DISSEMINATION MUST BE AUTHORIZED				


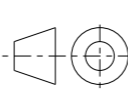
F  
E  
D  
C  
B  
A

# RENAULT ZOE

MODIFICATION INDEX	UPDATE INDEX	POSITION	MODIFICATION DESCRIPTION	MODIFICATION RELEASE	DATE	SIGNATURE
--------------------	--------------	----------	--------------------------	----------------------	------	-----------

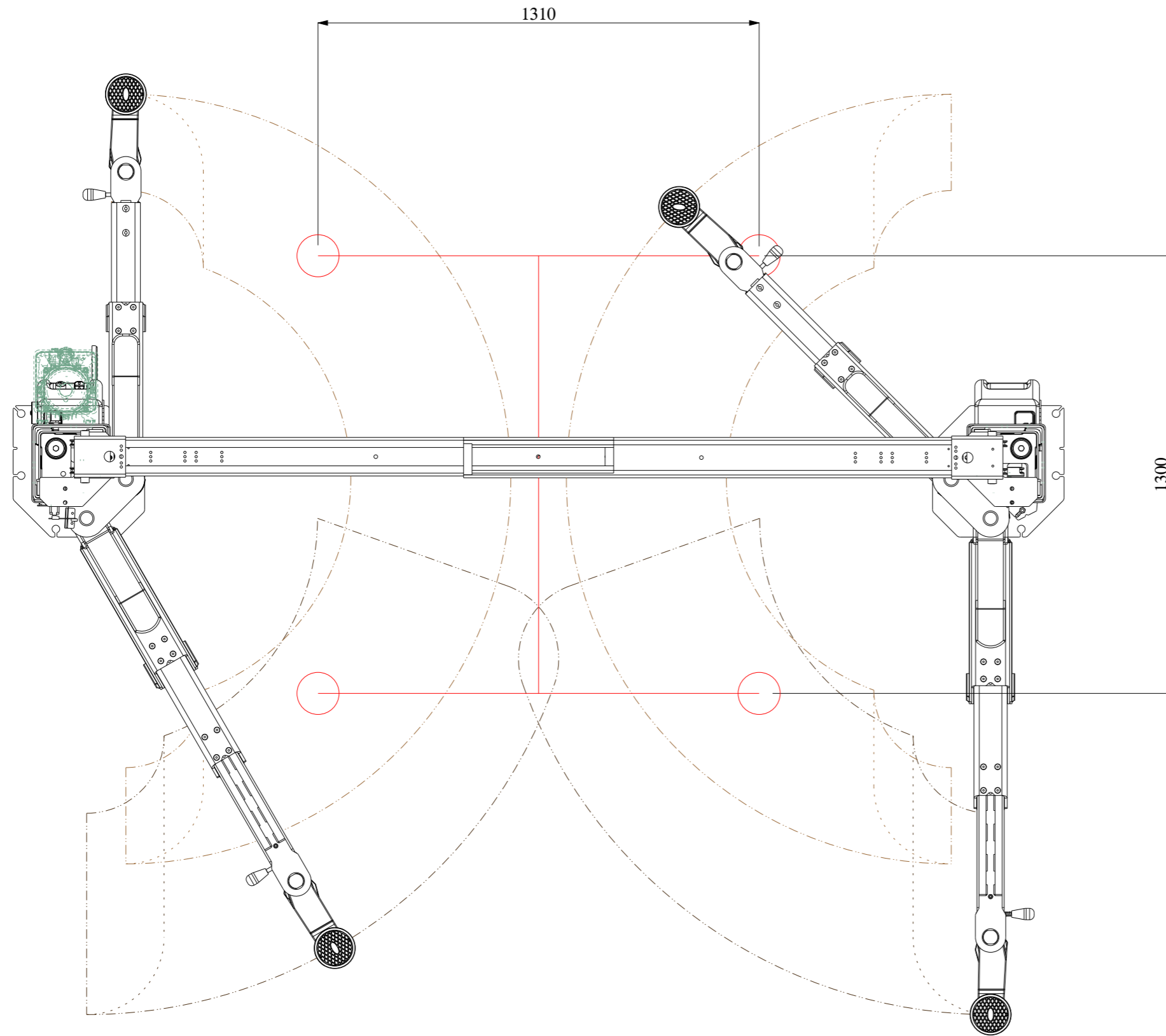


RENAULT ZOE

		DATE 17-10-22	DRAWN BY Z GHUMMAN	CHECKED BY
		SCALE 7:100	NOTE	
DESCRIPTION PICK UP MATRIX SPOA3T-EV			CODE	U.I.
DOCUMENT OWNED BY RAVAGLIOLI s.p.a. ANY KIND OF USE, REPRODUCTION, AND DISSEMINATION MUST BE AUTHORIZED				

# BMW i3

MODIFICATION INDEX	UPDATE INDEX	POSITION	MODIFICATION DESCRIPTION	MODIFICATION RELEASE	DATE	SIGNATURE
--------------------	--------------	----------	--------------------------	----------------------	------	-----------



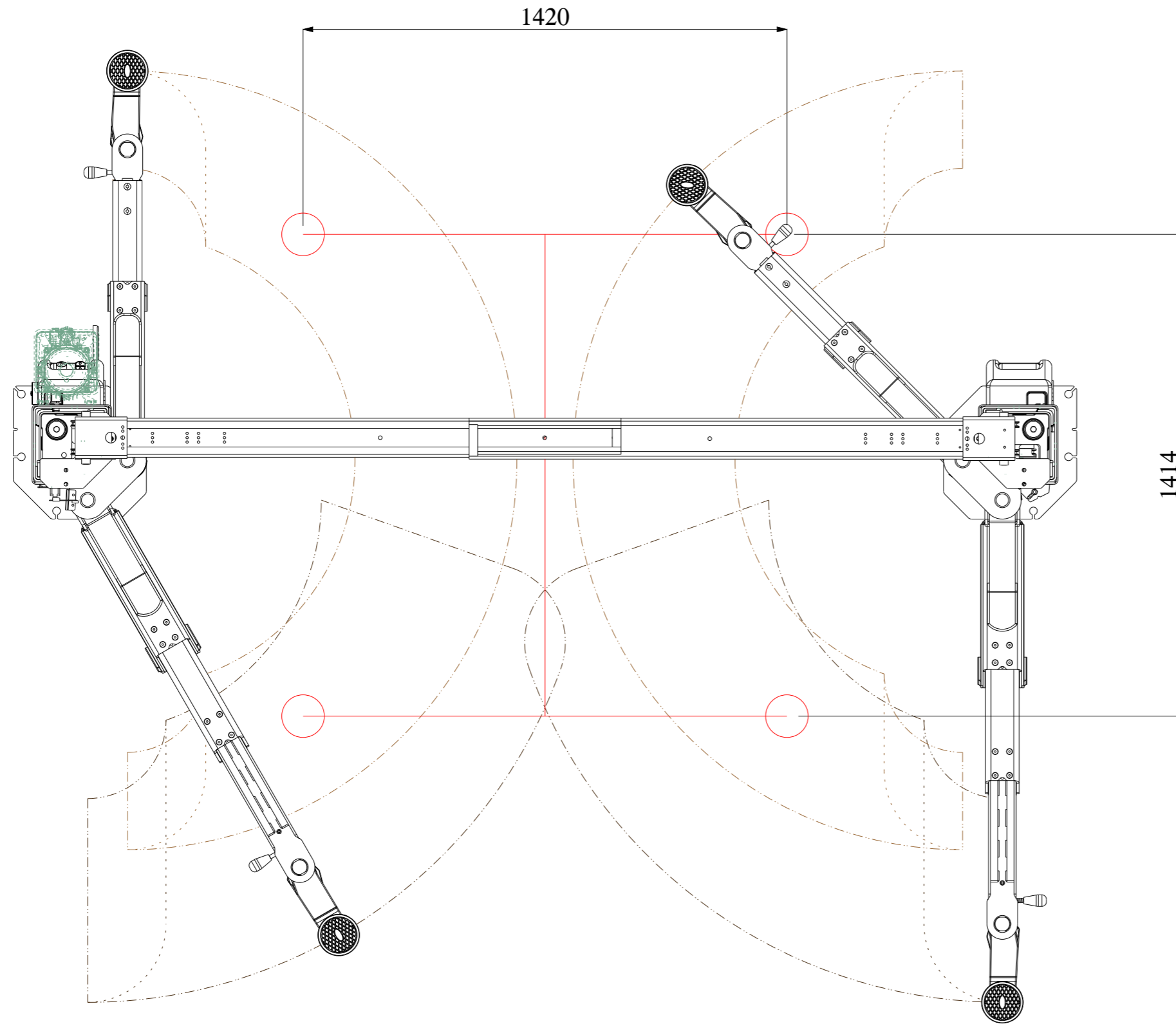
BMW i3

		DATE 17-10-22	DRAWN BY Z GHUMMAN	CHECKED BY
		SCALE 7:100	NOTE	
DESCRIPTION PICK UP MATRIX SPOA3T-EV			CODE	U.I.
DOCUMENT OWNED BY RAVAGLIOLI s.p.a. ANY KIND OF USE, REPRODUCTION, AND DISSEMINATION MUST BE AUTHORIZED				

F  
E  
D  
C  
B  
A

# BMW i8

MODIFICATION INDEX	UPDATE INDEX	POSITION	MODIFICATION DESCRIPTION	MODIFICATION RELEASE	DATE	SIGNATURE
--------------------	--------------	----------	--------------------------	----------------------	------	-----------



BMW i8

		DATE 17-10-22	DRAWN BY Z GHUMMAN	CHECKED BY
		SCALE 7:100	NOTE	
DESCRIPTION PICK UP MATRIX SPOA3T-EV			CODE	U.I.
DOCUMENT OWNED BY RAVAGLIOLI s.p.a. ANY KIND OF USE, REPRODUCTION, AND DISSEMINATION MUST BE AUTHORIZED				

F  
E  
D  
C  
B  
A