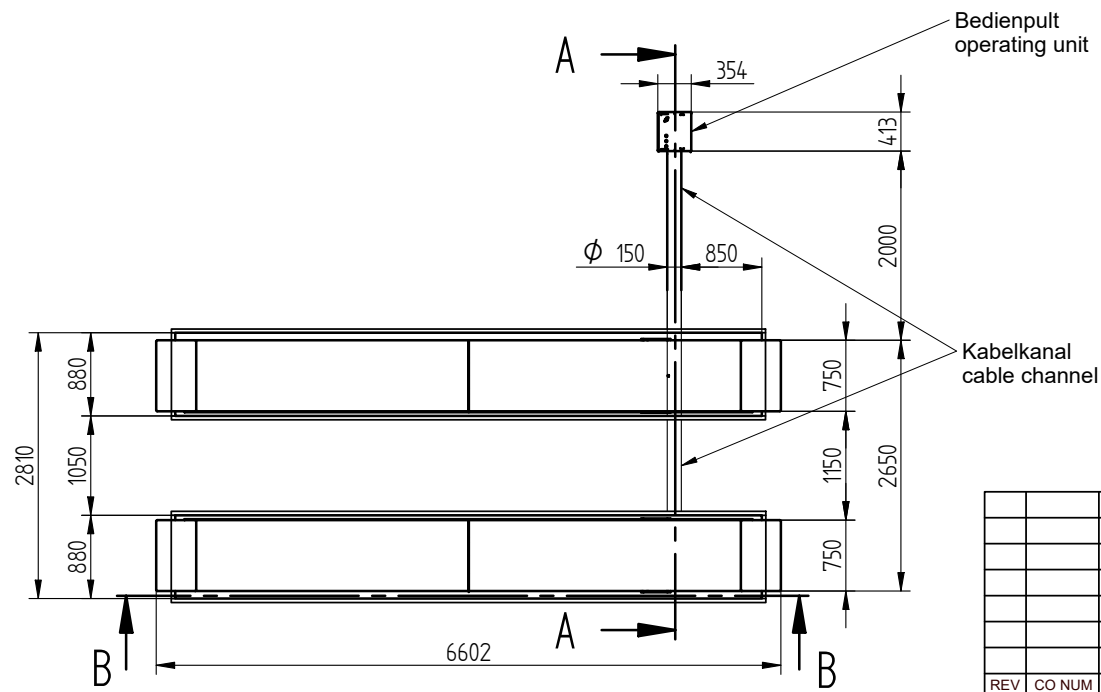


Bauseits am Bedienpult bereitstellen:
 Netzanschluss: 3PH+PE,400V,50Hz
 Motorleistung: 3,5 kW
 Absicherung: 10 Ampere träge
 Kabellänge: ca.2m, 4 x 4mm²

Wir weisen in unseren Plänen auf die Mindestanforderung des Fundamentes hin, jedoch der Zustand der örtlichen Gegebenheiten (z.B. Untergrund, Ausführung etc.) obliegt nicht unserer Verantwortung. Die Ausbildung der Einbausituation muss vom planenden Architekten bzw. Statiker im speziellen Fall individuell spezifiziert werden.

Prepared by customer at the main operating unit:
 power supply: 3PH+PE,400V,50Hz
 Motor power 3,5kW
 fuse: 10 Ampere, time lag
 cable diameter: 4 x 4mm²
 cable length: approx.2m

We point out the minimum requirement of the foundation in our plans. The condition of the local realities for example: the ground under the foundation) does not lie in our responsibility. The execution of the installation situation must be individually specified by the planning architect or by the engineer engaged in statically calculations in the special case.



Alle Maße in Millimeter
 all dimensions in millimeter

Maß- und Konstruktionsänderungen vorbehalten!
 subject to alterations!

				THIRD ANGLE PROJECTION	S90-60I Data sheet												
				DO NOT SCALE DRAWING													
				UNLESS OTHERWISE NOTED: ANGULAR DIMENSIONS: +/- 1 OTHER DIMENSIONS: +/- 0.8mm (< 305mm) +/-1.6mm (> or= 305mm)													
				UNLESS OTHERWISE SPECIFIED: 0.8mm MIN. CORNER BREAK REMOVE ALL BURRS													
				NOTES:	<table border="1"> <tr> <td>DRAWN</td> <td>DATE</td> <td>SHEET</td> </tr> <tr> <td>MD.</td> <td>26.07.2021</td> <td></td> </tr> <tr> <td>APPROVED</td> <td colspan="2">DRAWING NUMBER</td> </tr> <tr> <td></td> <td colspan="2">S90-60I_059507450</td> </tr> </table>	DRAWN	DATE	SHEET	MD.	26.07.2021		APPROVED	DRAWING NUMBER			S90-60I_059507450	
DRAWN	DATE	SHEET															
MD.	26.07.2021																
APPROVED	DRAWING NUMBER																
	S90-60I_059507450																
				Tragfähigkeit/capacity: 9000 kg													
				The design and detail illustrated in this drawing is the property of Vehicle Service Group. It is being loaned with the expressed condition that it will not be duplicated or used except by permission and is subject to return upon request.													
REV	CO NUM	DATE	BY														