

SCISSOR LIFT

HYDRAULIC

Heavy-duty scissor lift for easy lifting of vans, motorhomes, and small trucks.

The lift is available with either 9 or 13 t lifting capacity.

Track length 6 or 7 m.

- + Space-saving
- + Perfect synchronisation with automatic compensation
- + Durable construction with power reserves

HIGHLIGHTS

Durable push buttons permit secure operation of the lift.

Documents or laptops find their place on the integrated storage area. Also perfectly suited as a writing support.

Platform surfaces made of non-slip bulb plate.

Hydraulic control of the synchronisation of both platforms, independent of the load distribution. Automatic hydraulic levelling system in the zero position.

Rollover and roll-back protection at the ends of the guide rails protect the vehicle against rolling down.

Powerful hydraulic unit for fast lifting and lowering times.

The control panel has a hydraulic power unit that is pre-assembled at the factory. It is connected to the lifting platform, thus significantly reducing the installation costs. The hydraulic power unit can be installed on the left or right-hand side.

Foot protection guaranteed by standard CE-stop.

The lift's jointed pins are equipped with self-lubricating bearings.

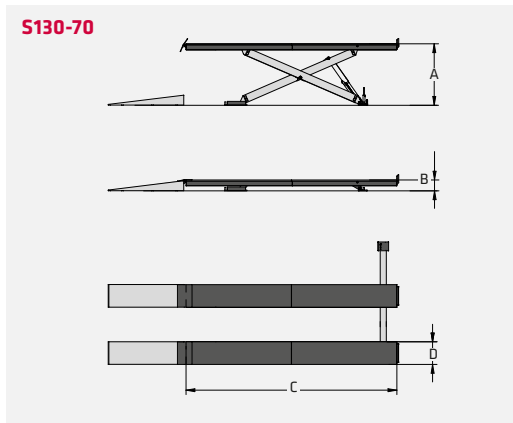
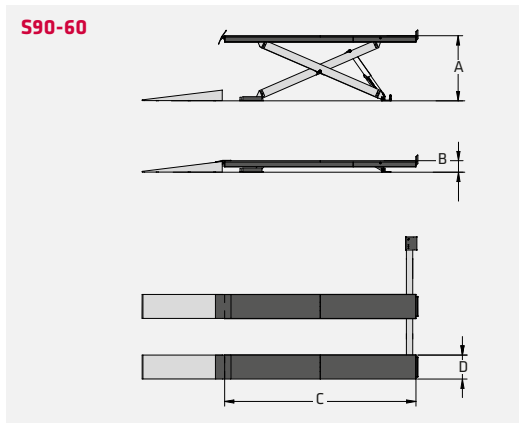
Special primer and durable top coat provide perfect corrosion protection of the platforms. Floor bearings and scissor elements are cathaphoresis and powder coated.

HIGHLIGHTS IN DETAIL



1 It is possible to couple two lifts together in order to operate them synchronously. Thus, runways can be operated at the same height or individually, obtaining two independent workplaces.

2 Pneumatically operated, mechanical safety device with cluster gears guarantee maximum safety for vehicle and user when raised.



Model	S90-60	S90-60I	S130-70	S130-70I
Rated load capacity	9.000 kg	9.000 kg	13.000 kg	13.000 kg
A Lifting height max.	2040 mm		2040 mm	
Max. lifting height at floor level		1680 mm		1680 mm
Lifting time	65 s	65 s	65 s	65 s
Lowering time	60 s	60 s	60 s	60 s
B Drive-on-height	360 mm	360 mm	360 mm	360 mm
C Length of runways	6.000 mm	6.000 mm	7.000 mm	7.000 mm
D Width of runways	750 mm	750 mm	750 mm	750 mm
Driving power	3,5 kW	3,5 kW	3,5 kW	3,5 kW
Power supply			400 V 50 Hz	
Width	2.650 mm	2.650 mm	2.650 mm	2.650 mm
Weight	4.800 kg	4.800 kg	5.300 kg	5.300 kg
Article number	830381*	830382	830383*	830384

* Above-ground kit required (See accessories)

ACCESSORIES



- 1 LED lighting kit
- 2 Axle jack 5 t
- 3 Drive through ramps 2,510 mm / 3,300 mm RAL 7012
- 4 Above ground kit 2510 mm / 3300 mm (set of ramps, ruffle plate standing on the ground, rollover protection + cover plates hydraulic hoses) RAL 7012
- 5 Twin control