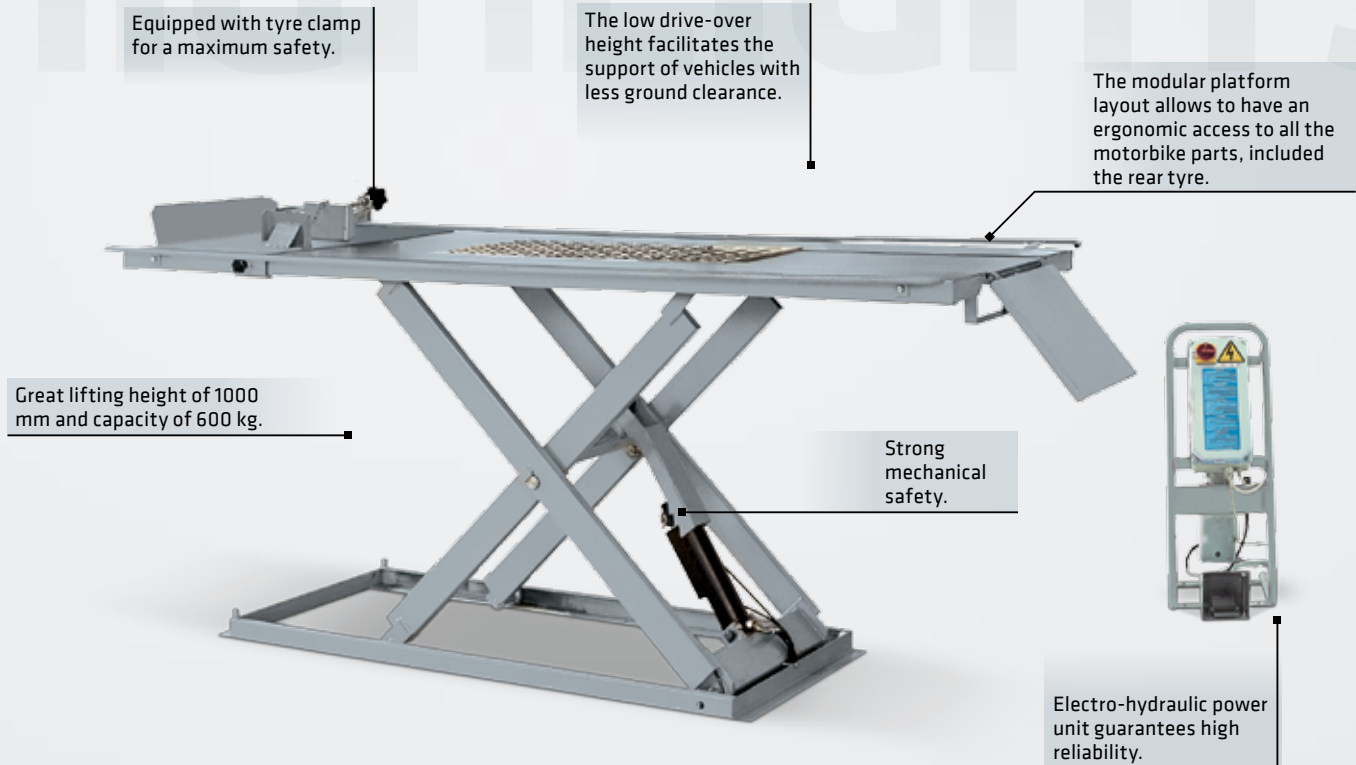


# MOTORBIKE SCISSOR LIFT

## ELECTRO-HYDRAULIC

The **XMB600** scissor lift is ideal for those workshops that daily deal with different typologies of motorbike – from the standard to the cruisers.

- + Easy access: platform width for perfect access to every motorbike part
- + Great functionality: high capacity and lifting height
- + High safety: mechanical safety devices with automatic insertion

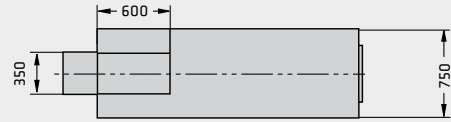
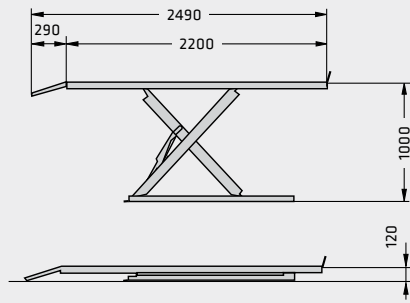


## HIGHLIGHTS IN DETAIL



- 1 Plate with rear wheel cut-out to slide under the stage.
- 1 Manual clamp.

+ Tested and approved by SEAT for lifting MÓ eScooter125.

**XMB600**

<b>Model</b>	<b>XMB600</b>
Rated load capacity	600 kg
Lifting height max.	1000 mm
Drive-on-height	120 mm
Length of runways	2200 mm
Width of runways	750 mm
Driving power	1x0,37 kW
Power supply	778-400 V   50 Hz
Length	2497 mm
Width	750 mm
Weight	254 kg
Article number	XMB-600

# SPECIFICATIONS