



About BRB United



Everything for the workshop. Everything from a single source. Behind BRB United are strong brands, perfect service and a powerful network of partners. With our high-performance products we are covering the requirements of the tough daily workshop routine. Always in the focus: perfect ergonomics and low total cost of ownership.

At Blitz truck lifting technology, compressed air technology, tire filling and measuring technology as well as special tools are traditionally the focus. When it comes to lifting technology for passenger cars, the proven lifts of Rotary are not to be missed. Tire changers and wheel balancers as well as wheel alignment and test lanes - for workshops and tire shops - are covered by Butler. If it's about battery service and welding devices, Elektron is the perfect choice. For more information you can also visit www.BRBUnited.com

About VSG



Part of Dover Corporation's Engineered Systems segment, Vehicle Service Group (VSG) is a strong, diverse and dynamic global leader in the vehicle service industry. VSG comprises nine major vehicle lifting and collision repair brands: Rotary Lift, Blitz, Chief, Elektron, Forward Lift, Direct-Lift, Revolution Lift, nogra and Hanmecson. Headquartered in Downers Grove, Illinois USA, VSG has operations worldwide, including ISO9001 certified manufacturing centers in North America, Europe and Asia. Additional information is available at www.vsgdover.com

About Dover



Dover is a diversified global manufacturer with annual revenue of approximately \$7 billion. We deliver innovative equipment and components, specialty systems, consumable supplies, software and digital solutions, and support services through three operating segments: Engineered Systems, Fluids and Refrigeration & Food Equipment. Dover combines global scale with operational agility to lead the markets we serve. Recognized for our entrepreneurial approach for over 60 years, our team of 26,000 employees takes an ownership mindset, collaborating with customers to redefine what's possible. Additional information is available at www.dovercorporation.com.

INDEX



2-post-lifts

4-9

SPOA3TS-5-MB
SPOA40E-MB
SPO65E-MB

4-post lifts

10-13

SM35LT-51-MB
SM65-55-MB

Vertical lift

14-17

V45AK48-MB
V55AK54-MB
V65N60-MB

Tire changer

18-25

Karakter.TLX Premium-MB
Seido.30 Premium-MB
Aikido.4 Premium-MB
Capture.4 Premium-MB

Wheel balancer

26-31

Librak355PWS Pro-MB
Librak380PWS Premium-MB
Librak430P.3DTec Pro-MB

Wheel aligners

32-33

Speed3DHP-MB

Battery chargers

34-39

HS 12/24-35P, HS 12/24-50P
HS12-24-50DR
HS12-24-120

Tyre pressure regulator

40-43

PNEUREX
PNEUSTAR 2

Mobile wheel carriage

44-45

Master Wheel MW80

Aggregate lifting table

46-47

Master Gear S3 1,0

Transmission and aggregate jack

**48-49
50-51**

Master Jack 2.5 / 4.0
Junior Jack S2 0.5 / 1.2 / 2.0

Other tools

52-53

2-POST-LIFT



ELECTRO-HYDRAULIC

The electro-hydraulic 2-post lift with asymmetrical 3-part support arms enables lifting from passenger cars (SMART) up to the V-class due its flexible reception area. The control on both sides offers a number of practical benefits.

+ SPO series - the most sold lift in the world
 + Maximum safety with Rotary 3PSS Concept
 + Second control unit included

Rotary Hydraulics represents maximum ease of service at minimum operating costs.

During lifting, the upper safety switch-off effectively protects vehicles with greater overall height from damage.

The electro-hydraulic design with just one unit ensures energy-saving operation with fast lifting and lowering times (electricity price savings).

Flanged to the upper part of the lifting column, the unit is protected from external influences and allows greater range of motion.

For improved ergonomics and efficiency, a 2nd control panel is included. In this case, one control panel is equipped with a 220 V socket (fused with 16 ampere for electric hand tools) and the second with a compressed air preparation.

The support arms are automatically locked when lifted. When the platform is fully lowered, this lock is released automatically. Ease of use is enhanced due to the particularly fine grid and a manual unlocking function.



Figure shows SPOA3TS with 2nd control panel and accessories.

HIGHLIGHTS IN DETAIL



1 3PSS Concept (3 Phase Security System) includes:

- Integrated mechanical safety catches with automatic actuation on both sides.
- Load-free mounted synchronization wire rope hoists secure the load during the lifting and lowering operation.
- Hydraulic system secured by check valve including maintenance-free high-pressure cylinders in both columns.

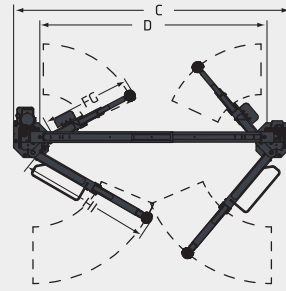
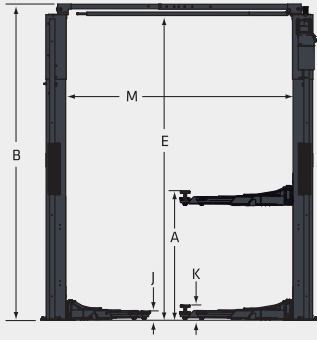


2 The asymmetrical column and support arm design allows for optimal door clearance.

3 The combination of maximum clearance width with minimum external dimensions and a construction without base frame ensures that the lifting platform can be driven on without any problem.

4 The rotary disks are pluggable and can be extended or replaced with attachment pieces in a stable and cost-effective way.

SPOA3TS-5-EH1-MB / SPOA3TS-5-EH2-MB



Model	SPOA3TS-5-EH1-MB	SPOA3TS-5-EH2-MB
Load capacity	3500 kg	3500 kg
A Stroke	1957 mm	1957 mm
Lifting time	30 s	30 s
F Support bracket length on the front min.	550 mm	550 mm
G Support bracket length on the front max.	1106 mm	1106 mm
H Support bracket length on the rear min.	600 mm	600 mm
I Support bracket length on the rear max.	1280 mm	1280 mm
J Rotary plate height min.	94 mm	94 mm
K Rotary plate height max.	153 mm	153 mm
M Clear span between	2740 mm	2740 mm
D Drive-through width	2516 mm	2516 mm
Driving power	4,0 kW	4,0 kW
Power supply voltage (electrical)	400 V / 50 Hz	400 V / 50 Hz
C Overall width	3301 mm	3301 mm
B Overall height	3765 mm	4070 mm
E Switchoff level	3631 mm	3936 mm
Required ceiling height	3925 mm	4230 mm
Article number	SPOA3TS-5-EH1-MB	SPOA3TS-5-EH2-MB

SPECIFICATIONS

SCOPE OF DELIVERY



- 1** Pick-up set for Mercedes G-Series (1 set / 4 pieces)
 - 2** Tool tray, magnetic (2 pieces included)
 - 3** Adapter extension set (1 set/ 4 pieces 89mm, 1 set/ 4 pieces 127mm) with 2 holders for mounting on the posts
 - 4** Second control panel for operation from both sides
- + CE-Stop
+ Document bag

Further accessories - see price list

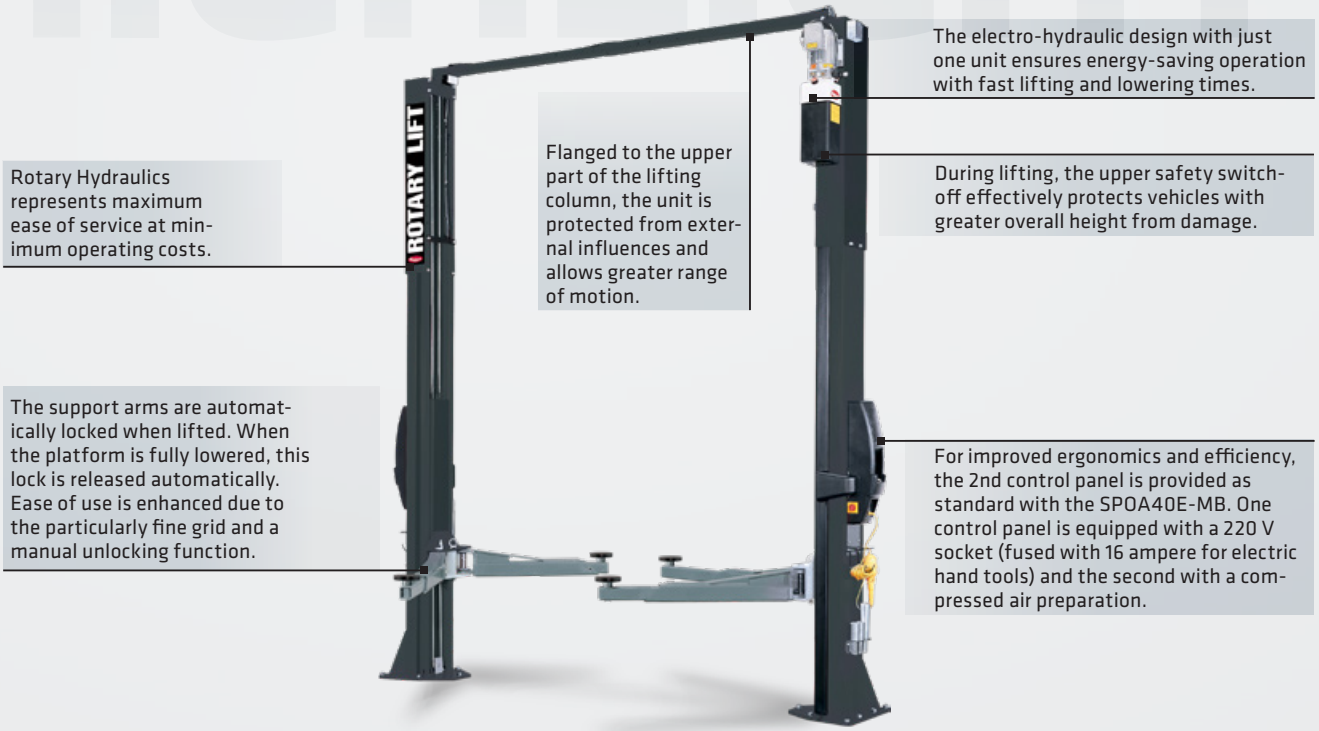
2-POST-LIFT



ELECTRO-HYDRAULIC

Electro-hydraulic 2-post lift without base frame for lifting vehicles up to a total weight of 4 t. Suitable for mounting all passenger vehicles up to the V Class at the original mounting points.

+ SPO series - the most sold lift in the world
+ Maximum safety with Rotary 3PSS Concept
+ Reception area from SMART to V Class



Rotary Hydraulics represents maximum ease of service at minimum operating costs.

The support arms are automatically locked when lifted. When the platform is fully lowered, this lock is released automatically. Ease of use is enhanced due to the particularly fine grid and a manual unlocking function.

Flanged to the upper part of the lifting column, the unit is protected from external influences and allows greater range of motion.

The electro-hydraulic design with just one unit ensures energy-saving operation with fast lifting and lowering times.

During lifting, the upper safety switch-off effectively protects vehicles with greater overall height from damage.

For improved ergonomics and efficiency, the 2nd control panel is provided as standard with the SPOA40E-MB. One control panel is equipped with a 220 V socket (fused with 16 ampere for electric hand tools) and the second with a compressed air preparation.

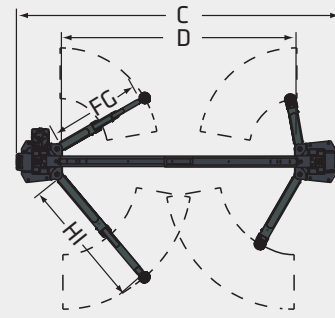
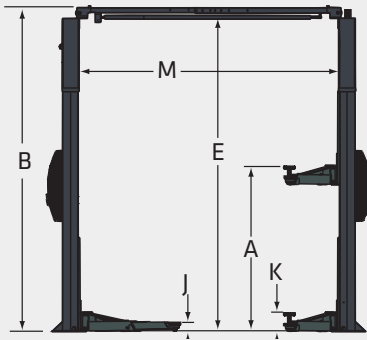
HIGHLIGHTS IN DETAIL



- 1** 3PSS Concept (3 Phase Security System) includes:
 - Integrated mechanical safety catches with automatic actuation on both sides.
 - Load-free mounted synchronization wire rope hoists secure the load during the lifting and lowering operation.
 - Hydraulic system secured by check valve including maintenance-free high-pressure cylinders in both columns.
- 2** The combination of maximum clearance width with minimum external dimensions and a construction without base frame ensures that the lifting platform can be driven on without any problem.
- 3** The double S profile of the lifting columns ensures maximum stability with minimum space requirements. In addition, the contact surface of the lifting carriages guided in the lifting columns is significantly enlarged.
- 4** The rotary disks are pluggable and can be extended or replaced with attachment pieces in a stable and cost-effective way.



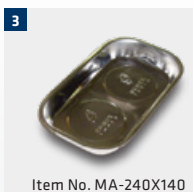
SPOA40E-MB



Model	SPOA40E-5-EH1-MB	SPOA40E-5-EH2-MB
Load capacity	4000 kg	4000 kg
A Stroke	1979 mm	1979 mm
Lifting time	30 s	30 s
F Support bracket length on the front min.	550 mm	550 mm
G Support bracket length on the front max.	1106 mm	1106 mm
H Support bracket length on the rear min.	876 mm	876 mm
I Support bracket length on the rear max.	1472 mm	1472 mm
J Rotary plate height min.	95 mm	95 mm
K Rotary plate height max.	155 mm	155 mm
M Clear span between	2825 mm	2825 mm
D Drive-through width	2546 mm	2546 mm
Driving power	4,0 kW	4,0 kW
Power supply voltage (electrical)	400 V / 50 Hz	400 V / 50 Hz
C Overall width	3440 mm	3440 mm
B Overall height	3865 mm	4170 mm
E Switchoff level	3760 mm	4065 mm
Required ceiling height 2	3925 mm	4230 mm
Article number	SPOA40E-5-EH1-MB	SPOA40E-5-EH2-MB

SPECIFICATIONS

SCOPE OF DELIVERY



- 1** Support Kit for G-Class
 - 2** Rotary Adaptor Extension Kit, 4 x 89 mm, 4 x 127 mm, with 2 organizer racks
 - 3** Tool tray, magnetic, 2 pieces
 - 4** Second control panel for operation from both sides
- + CE-Stop
 - + Document bag
 - + 1x 220V socket and 1x compressed air preparation

Further accessories - see price list

2-POST-LIFT



ELECTRO-HYDRAULIC

Electro-hydraulic 2-post lift without base frame for lifting vehicles up to a total weight of 6.5 t. For mounting all Mercedes commercial vehicles (passenger cars) up to Sprinter with long wheelbase at the original mounting points.

+ SPO series - the most sold lift in the world
+ Maximum safety with Rotary 3PSS Concept
+ Reception area for utility vehicles, emergency vehicles and motor homes

Flanged to the upper part of the lifting column, the unit is protected from external influences and allows greater range of motion.

During lifting, the upper safety switch-off effectively protects vehicles with greater overall height from damage.

The electro-hydraulic design with just one unit ensures energy-saving operation with fast lifting and lowering times.

Rotary Hydraulics represents maximum ease of service at minimum operating costs.

The support arms are automatically locked when lifted. When the platform is fully lowered, this lock is released automatically. Ease of use is enhanced due to the particularly fine grid and a manual unlocking function.

For improved ergonomics and efficiency, the 2nd control panel is provided as standard with the SPO65. One control panel is equipped with a 220 V socket (fused with 16 ampere for electric hand tools) and the second with a compressed air preparation.

The rotary disks are pluggable and can be extended or replaced with attachment pieces in a stable and cost-effective way.



HIGHLIGHTS IN DETAIL



- 1** 3PSS Concept (3 Phase Security System) includes:
- Integrated mechanical safety catches with automatic actuation on both sides
 - Load-free mounted synchronization wire rope hoists secure the load during the lifting and lowering operation
 - Hydraulic system secured by check valve including maintenance-free high-pressure cylinders in both columns

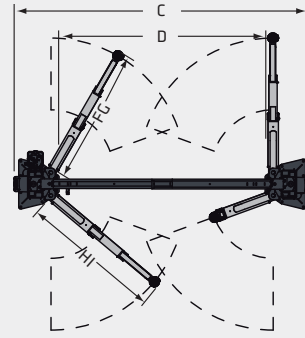
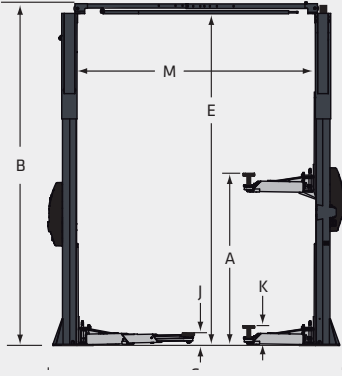


- 2** The very generously dimensioned support arms allow safe reception of heavy utility vehicles, emergency vehicles and motor homes.

- 3** The combination of maximum clearance width with minimum external dimensions and a construction without base frame ensures that the lifting platform can be driven on without any problem.

- 4** The double S profile of the lifting columns ensures maximum stability with minimum space requirements. In addition, the contact surface of the lifting carriages guided in the lifting columns is significantly enlarged.



SPO65E-MB

Model	SPO65E-MB
Load capacity	6500 kg
A Lifting height	2005 mm
Lifting time	60 s
F Front support beam min. length	935 mm
G Front support beam max. length	1901 mm
H Rear support beam min. length	935 mm
I Rear support beam max. length	1901 mm
J Rotary table min. height	115 mm
K Rotary table max. height	175 mm
M Clear span between	2997 mm
D Drive through clearance	2687 mm
Drive power	3,0 kW
Drive voltage (electrical)	400 V / 50 Hz
C Overall width	3937 mm
B Overall height	4976 - 5432 mm
E Shutdown height	5327 mm
Required ceiling height	5600 mm
Article number	SPO65E-MB

SPECIFICATIONS

SCOPE OF DELIVERY



Item No. FJ6211C



Item No. FJ6216MB



Item No. FJ6217MB



Item No. MA-240X140

1 Prism mounting kit for Sprinter rear (1 set / 2 pieces)

2 Pick-up kit for Crafter/Sprinter front mandrel (2 x for Sprinter/Crafter)

3 Rotary plate kit (4 pieces)

4 Storage tray for tools, magnetic (2 pieces)

+ CE-Stop

+ Document bag (ROT-SZ2514000)

+ Second control panel for operation from both sides

+ 1x 220V socket and 1x compressed air preparation

Further accessories - see price list

4-POST LIFT WITH JACKING BEAM



ELECTRO-HYDRAULIC

The electro-hydraulic 4-post lift **SM35LT-51-MB** is ideal for service work, wheel assembly and dialog reception.

- + Wide, stable tracks
- + With wheel-free lift 3.5 t
- + Suitable for all passenger and utility vehicles with long wheelbase

The electro-hydraulic 4-post lift SM35LT-51-MB is equipped with a pneumatically lockable set-down device

The high-performance hydraulic unit ensures a powerful stroke and short lifting and lowering periods

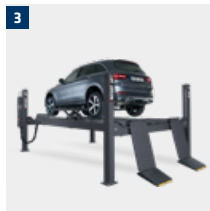
The maintenance-free lifting cylinder is positioned below the driving surface and thus protected from external influences

The up, down and lowering functions on the set-down device can be conveniently controlled via operating buttons

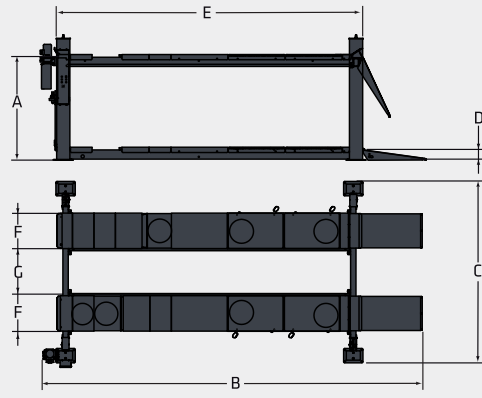
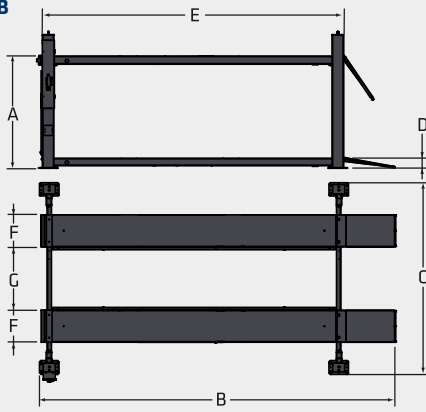
Wide tracks allow safe and comfortable driving onto the lift from small passenger vehicles to utility vehicles or SUVs without having to change the track width



HIGHLIGHTS IN DETAIL



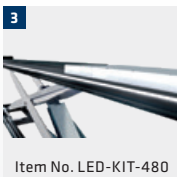
- 1** The cold-formed driving surface profile provides high rigidity.
- 2** Integrated running rails allow the use of jacking beams.
- 3** The SM35LT-51-MB features a wheel-free lift (LT) with a stepless extension (up to 2100 mm).

SM35LT-51-MB

Model	SM35LT-51-MB
Load capacity	3.500 kg
A Lifting height	1.990 mm
Lifting time	38 sec.
B Overall length incl. ramp extension	7.032 mm
C Overall width	3.397 mm
D Drive-on/Drive-over height	200 mm
Jacking Beam min.	1.400 mm
Jacking Beam max.	2.100 mm
E Runway length	5.100 mm
F Runway width	650 mm
G Runway spacing	900 mm
Drive through clearance	2.986 mm
Drive power	4 kW
Drive voltage (electrical)	400 V, 50 Hz
Compressed air supply	8-10 bar
Article number	SM35LT-51-MB

SPECIFICATIONS

SCOPE OF DELIVERY



1 Extension Kit Including drive-on ramp extension for sporty vehicles

2 Rubber pads, height 40 mm, 4 pieces

3 Lighting kit 4800 mm, 4 LED units, 24 V

+ CE-Stop

+ Document bag

+ Energy Kit

Further accessories - see price list

4-POST LIFT



ELECTRO-HYDRAULIC

The electro-hydraulic 4-post lift of the **SM65-55-MB** series meets the technical specifications of Mercedes-Benz for optimum wheel alignment and is suitable for the reception of passenger vehicles to light utility vehicles

+ Wide, stable tracks
+ Precise wheel alignment kit included
+ Suitable for all passenger and utility vehicles with long wheelbase

All 4-post lifts are equipped with a pneumatically lockable set-down device.

The up, down and lowering functions on the set-down device can be conveniently controlled via operating buttons.

The maintenance-free lifting cylinder is positioned below the driving surface and thus protected from external influences.

The high-performance hydraulic unit ensures a powerful stroke and short lifting and lowering periods.

Wide tracks allow safe and comfortable driving onto the lift from small passenger vehicles (Smart) to V Class, SUVs and Sprinter vans without having to change the track width.

HIGHLIGHTS IN DETAIL



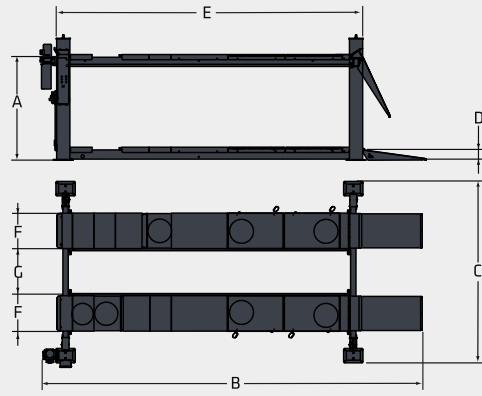
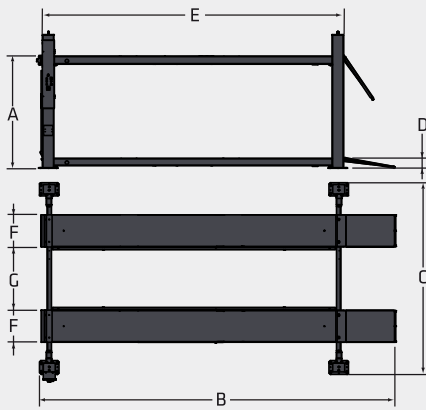
1 The cold-formed driving surface profile provides high rigidity.

2 The integrated running rail offers optimum use of the jacking beam included in the scope of supply.

3 The premium wheel alignment kit allows the use of all rotary disks recommended by Mercedes-Benz. When no rotary disk is used, the recesses can be closed completely using the filling pieces supplied as standard.

4 Adjustable ratchet strips in the lifting columns enable the lifting platform to be aligned absolutely horizontally – important for precise work when used as a wheel alignment lift. Precise wheel alignment and a high degree of workplace safety are thus guaranteed.

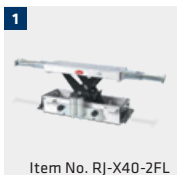


SM65-55-MB

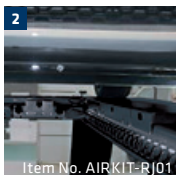
Model	SM65-55-MB
Load capacity	6.500 kg
A Lifting height with AK kit	2.042 mm
Lifting time	38 sec.
B Overall length incl. ramp extension	7.419 mm
C Overall width	3.522 mm
D Drive-on/Drive-over height with AK kit	252 mm
E Runway length	5.500 mm
F Runway width	650 mm
G Runway spacing	900 mm
Wheelbase wheel alignment	1.500 - 4.530 mm
Drive through clearance	2.970 mm
Drive power	4 kW
Drive voltage (electrical)	400 V, 50 Hz
Compressed air supply	8-10 bar
Article number	SM65-55-MB_SM655512F0001

SPECIFICATIONS

SCOPE OF DELIVERY



Item No. RJ-X40-2FL

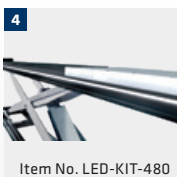


Item No. AIRKIT-RJ01



Item No. EXRMP-SM40N

- 1 Jacking Beam, 4.0t
- 2 Air supply kit
- 3 Extension Kit
- 4 LED lightset (self-adhesive)
- 5 Wheel alignment kit Premium for SM 65-55
- 6 MKS mounting



Item No. LED-KIT-480



Item No. AK-P-SM65-55N-7015



Item No. 114893

- + CE-Stop
- + Document bag (ROT-SZ2514000)
- + Energy kit

Further accessories - see price list

VERTICAL SCISSOR LIFT



ELECTRO-HYDRAULIC

The vertical scissor lifts **V55AK54-MB** and **V45AK48-MB** are high-precision lifts for wheel alignment with a lifting capacity of 5.5 t for passenger and utility vehicles and 4.5 t for passenger vehicles.

+ Perfect corrosion protection - KTL coating plus powder coating as standard
 + Meets requirements of Mercedes-Benz
 + A lot of space under the lifting platform with side access

Sturdy plastic balls of the manually lockable sliding plates ensure reliable and smooth operation while rotating brushes prevent the penetration of dirt and ensure a long service life.

The control panel is equipped with a factory pre-assembled hydraulic unit that can be placed on the left or right.

Documents or tablet computers will have their place on the control console that is also perfectly suited as a writing support.

Durable push buttons allow a sensitive operation of the lift.

The standard CE stop ensures foot protection without a foot guard.

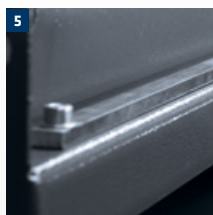
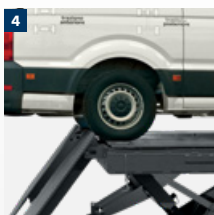
The assembly provides maximum clearance under the lifting platform and allows access from the side.



The flat driving surface allows use at the headlight adjustment area.

The lifting scissors engage close to the wheel contact area and thus give the lifting platform high stability. In conjunction with the reinforced driving surfaces that are pre-adjusted at the factory it meets the specifications of Mercedes-Benz.

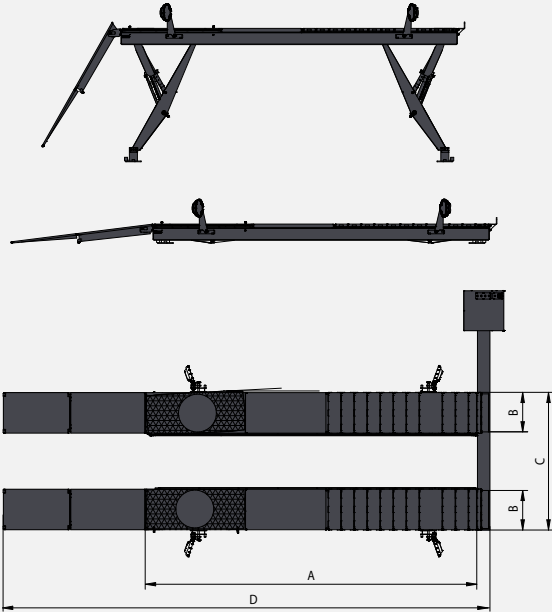
HIGHLIGHTS IN DETAIL



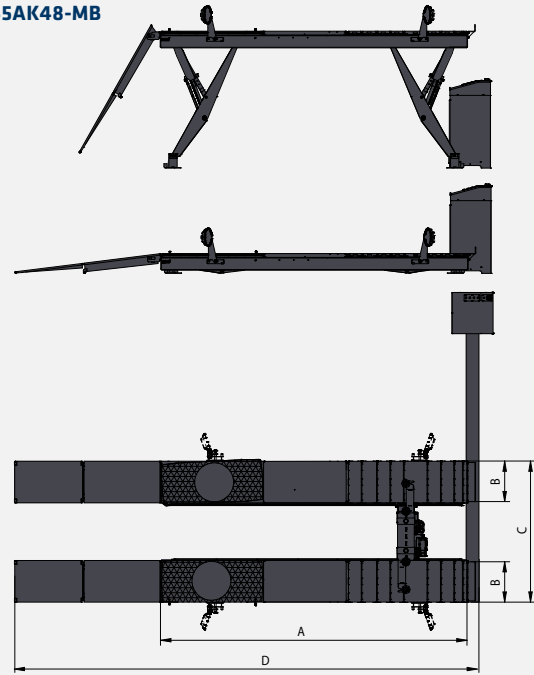
- 1 Integrated recesses with stainless steel supports allow all commercially available rotary disks to be fitted, prevent corrosion and allow the rotary disks to be moved effortlessly.
- 2 The recesses can be closed completely when no rotary disk is used. The filler pieces are provided with plastic stops. Thus, corrosion is prevented and the noise is reduced.
- 3 The main cylinders are equipped with a pneumatically unlockable set-down device. The ratchet strip is screwed and adjustable via screws. This guarantees precise wheel alignment.
- 4 Smartly designed roll-back guards allow the full length of the track to be used.
- 5 Galvanized running rail for standard jacking beam (4 t for V55AK54-MB, 2.6 t for V45AK48-MB).
- 6 Reception from Smart to Sprinter van with long wheel-base possible.



V55AK54-MB



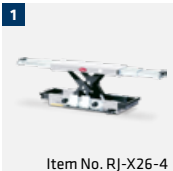
V45AK48-MB



Model	V55AK54-MB	V45AK48-MB
Rated load capacity	5500 kg	4500 kg
Stroke	2120 mm	2120 mm
Lifting time loaded	45 sec.	45 sec.
Lowering time loaded	45 sec.	45 sec.
Ascending height / Rest height	310 mm	310 mm
A Length of runways	5.400 mm	4.800 mm
B Width of runways	650 mm	650 mm
C Overall width	2.200 mm	2.200 mm
Total length	7.800 mm	7.200 mm
D Total length incl. ramp extension	7682 mm	7082 mm
Driving power	4 x2,6 kW	4 x2,6 kW
Power supply voltage (electrical)	230/400 V, 50 Hz	230/400 V, 50 Hz
Weight	2.500 kg	2.300 kg
Article number	820239 V55AK54-MB	820355 V45AK48-MB

SCOPE OF DELIVERY

1



Item No. RJ-X26-4

2



Item No. RJ-X40-6

1 Jacking beam 2,6 t, axle cross beam included, stroke 250 mm.
(V45Ak48-MB, only for passenger vehicle reception)

2 Jacking beam 4,0 t, axle cross beam included, stroke 250 mm.
(V55Ak54-MB)

3 Air supply kit for jacking beam.

4 LED light kit (self-adhesive), length 4800 mm.

+ CE-Stop

+ Document bag (ROT-SZ2514000)

+ Energy kit consisting of at least 1 x 220V socket and 2 x compressed air safety connection

+ MKS bracket complete (114893)

Further accessories - see price list

3



Item No. AIRKIT-RJ01

4



Item No. LED-KIT-480

VERTICAL SCISSOR LIFT OVERFLOOR



ELECTRO-HYDRAULIC

The **V65N60-MB** vertical scissor lift with 6.5 t lifting capacity and 6000 mm usable track length is ideally suited for utility vehicle workshops that want to make optimum use of their available space.

+ Perfect corrosion protection - KTL coating plus powder coating as standard
 + A lot of space under the lifting platform with side access

The control console has an factory pre-assembled hydraulic unit and thus contributes significantly to a low installation effort. Placement is possible on the left or right.

The flat driving surface allows use at the headlight adjustment area.

Documents or tablet computers will have their place on the integrated storage area of the control console that is also perfectly suited as a writing support. Durable push buttons allow a sensitive operation of the lifting platform.

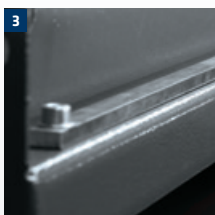
The assembly provides maximum clearance under the lifting platform and allows access from the side.

The lifting scissors engage close to the wheel contact area and thus give the lifting platform a very high stability.

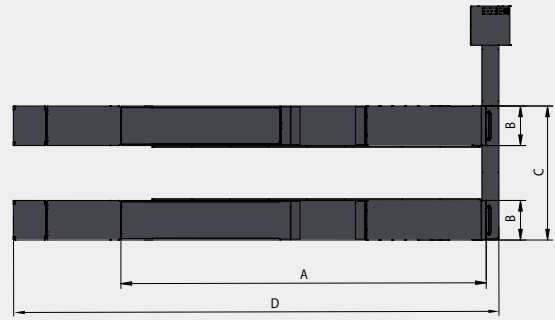
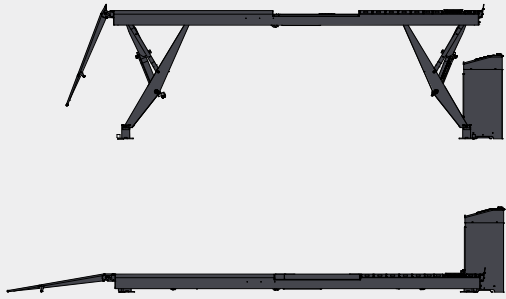
The standard CE stop ensures foot protection without foot guards.



HIGHLIGHTS IN DETAIL



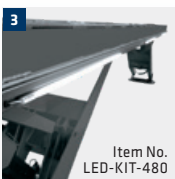
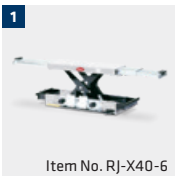
- 1** The main cylinders are equipped with a pneumatically unlockable set-down device. The ratchet strip is screwed and adjustable via screws.
- 2** Smartly designed roll-back guards allow the full length of the track to be used.
- 3** A galvanized running rail is fitted to the platform for the use of the jacking beam.

V65N60-MB

Model	V65N60-MB
Rated load capacity	6.500 kg
Stroke	2.055 mm
Lifting time loaded	45 sec.
Lowering time loaded	45 sec.
Drive-on/ drive-over height	245 mm
A Platform length	6.000 mm
B Platform width	650 mm
C Overall width	2.200 mm
D Overall length	7.980 mm
Driving power	4 x2,6 kW
Power supply voltage (electrical)	230/400 V, 50 Hz
Weight	2480 kg
Article number	820397 V65N60-MB

SPECIFICATIONS

SCOPE OF DELIVERY



1 Jacking beam 4.0 t, axle cross beam included, stroke 250 mm.

2 Air supply kit for jacking beam.

3 Lighting kit, 4 LED units, 24 V

+ CE-Stop

+ Document bag (ROT-SZ2514000)

Further accessories - see price list

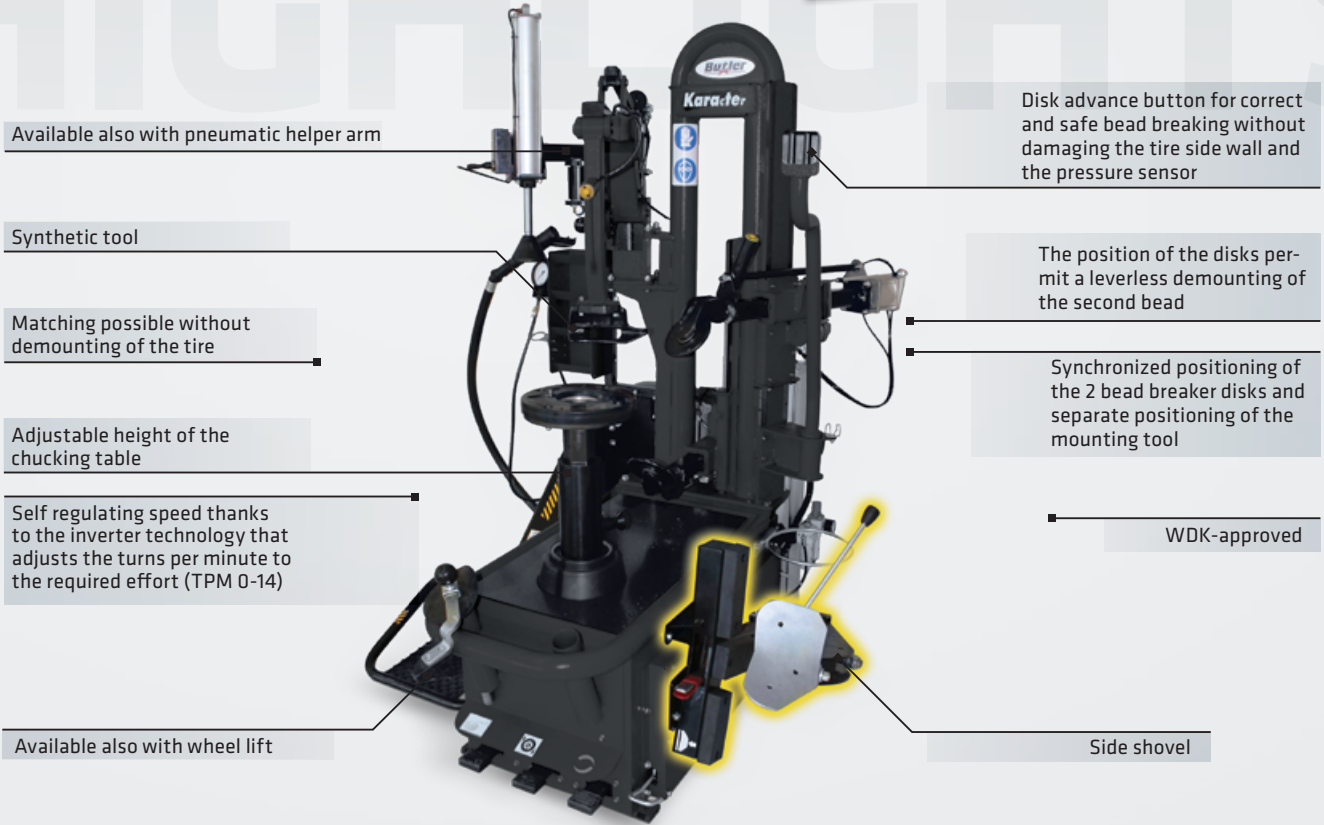
TIRE CHANGER

PROFESSIONAL TIRE CHANGER

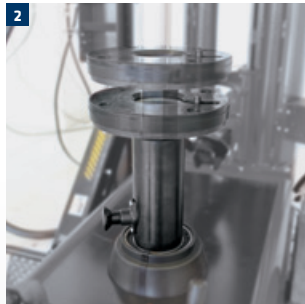
Karakter.TLX Premium-MB Professional central locking car and light truck tyre changer, with patented plastic mounting head. Ergonomic and fast, thanks to the combination of rol-

ler bead breakers and side bead breaker. Suitable for every kind of tyre combination.

+ Equipped with plastic tool and 2 Pneumatic plastic bead breaker rollers for a powerful and easy working process



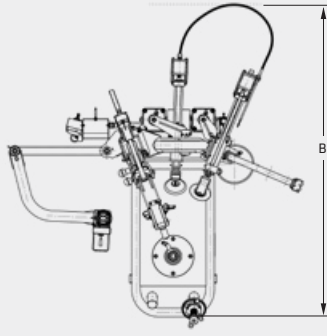
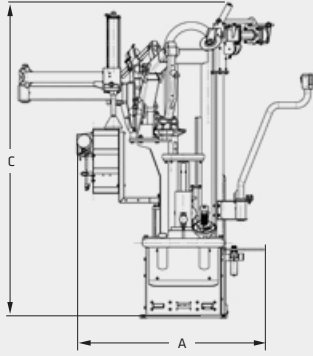
HIGHLIGHTS IN DETAIL



1 Plastic mounting head: Unlike conventional tools made of metal, the plastic tool allows you to work close to the rim, making it easier to bring the upper bead over the rim flange.

2 Extra-grip clamping device. Three adjustable working heights.

Karacter.TLX PREMIUM-MB



Model	Karacter.TLX PREMIUM-MB
Clamping range	10" - 26"
Wheel width max.	15"
Wheel diameter max.	1168 mm
Wheel weight max.	80 kg
Bead-breaking force	1200 kg
Rotation speed	0 - 14 U/min
Torque max.	1177 Nm
Power inverter motor	1,5 kW
Motor power	0,75 kW
Compressed air supply	8-10 bar
Mains voltage (AC)	200-265 V/ 1ph
Mains frequency	50/60 Hz
A Depth	1800 mm
B Width	1698 mm
C Height	1814 mm
Weight	350 kg
Article number	811976

SCOPE OF DELIVERY



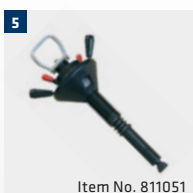
Item No. 811852



Item No. 811072
Item No. 811853



Item No. 811049



Item No. 811051



Item No. 811053



Item No. 811448



Item No. 811446

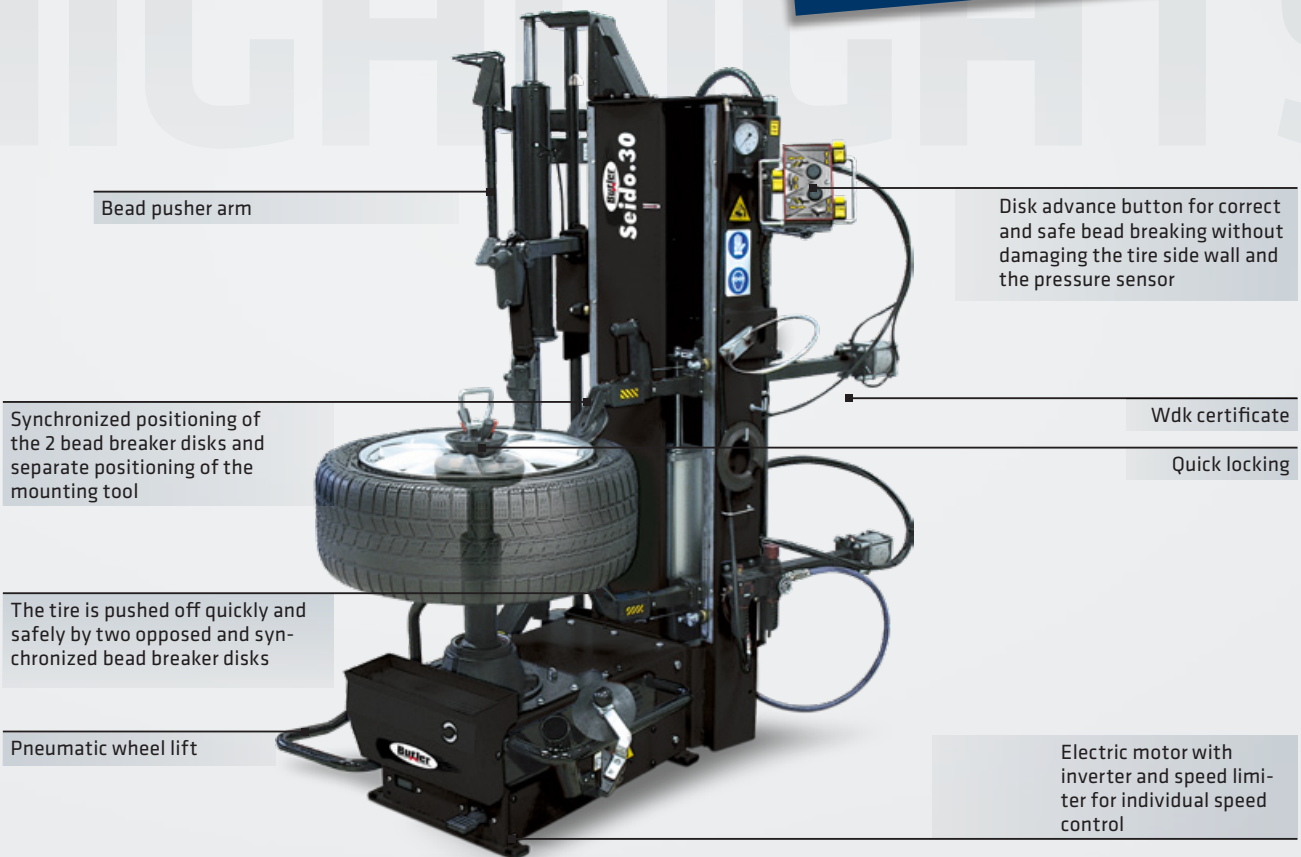
- 1 Pneumatic wheel lift .
 - 2 Pneumatic bead pusher.
 - 3 Lateral bead breaker blade.
 - 4 Rim flange plastic protection, also for run-flat tyres (1 piece).
 - 5 Quick-clamping lock.
 - 6 Bead protection foils.
 - 7 Cone for 40 mm shaft.
 - 8 Light truck spacer ring.
- + Replacement Mounting Head (811079)
 - + WulstBoy with towing device Standard (811443)
 - + Bead chain 22" or extension of the bead chain to 28" (811052)
 - + wdk-certificate incl. Sticker (GWDK02040)

TIRE CHANGER

AUTOMATIC TIRE CHANGER

SEIDO.30 Premium-MB Leverless, incl. pneumatic bead pusher and pneumatic wheel lift, passenger car, rim diameter: 10" - 30".

+ 10" - 30" Leverless tire changer, equipped with the patented Butler mounting tool for stress-free mounting and removal of all tires and rims (standard, UHP, RunFlat)



Bead pusher arm

Disk advance button for correct and safe bead breaking without damaging the tire side wall and the pressure sensor

Synchronized positioning of the 2 bead breaker disks and separate positioning of the mounting tool

Wdk certificate

Quick locking

The tire is pushed off quickly and safely by two opposed and synchronized bead breaker disks

Pneumatic wheel lift

Electric motor with inverter and speed limiter for individual speed control

HIGHLIGHTS IN DETAIL



1 Equipped with extra grip patented self locking plate

Suitable also for reverse rims

Thanks to the self locking plate, wheel clamping is performed quickly and with minimal force

2 Synchronized positioning of the 2 bead breaker disks and separate positioning of the mounting tool

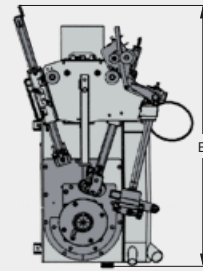
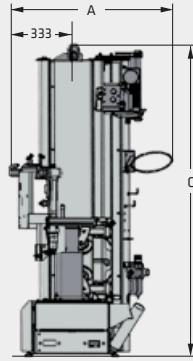
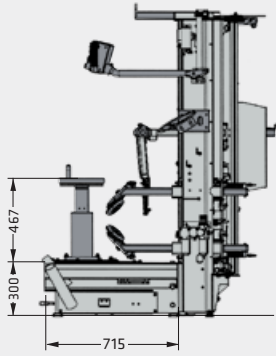
The tire is pushed off quickly and safely by two opposed and synchronized bead breaker disks

3 Upper mounting head of non-scratching material for damage-free work on the rims near the edge (zero stress effect)

ACCESSORIES ON REQUEST

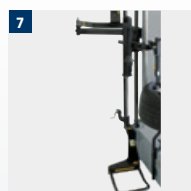
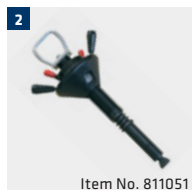
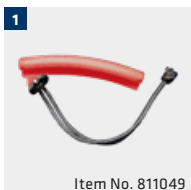
- + Universal flange for wheels without center hole, suitable also for reverse mounted wheels

SEIDO.30 Premium-MB



Model	SEIDO.30 Premium-MB
Clamping range	10" - 30"
Wheel width max.	15"
Wheel diameter max.	1143 mm
Wheel weight max.	80 kg
Automatic bead-breaking movement	X
Bead-breaking force	1200 kg
Rotation speed	0-16 rpm
Torque max.	1177 Nm
Power inverter motor	1,5 kW
Motor power	0,75 kW
Compressed air supply	8-10 bar
Mains frequency	50/60 Hz
Mains voltage (AC)	200/265 V
Phases	1
Fuse protection	16 A träge
A Width	875 mm
B Depth	1320 mm
C Height	1735 mm
Weight	330 kg
Article number	811977

SCOPE OF DELIVERY



- 1** Rim flange plastic protection, also for run-flat tyres (1 piece)
- 2** Quick-clamping lock
- 3** WulstBoy with towing device Standard + Magic cord with traction
- 4** Bead protection foils (1 set / 50 pieces)
- 5** Cone for 40 mm shaft
- 6** Light truck spacer ring
- 7** Pneumatic bead pusher and pneumatic wheel lift (not retrofittable) 811071 + 811072 + 811073
- 8** Upper mounting head for convex rim

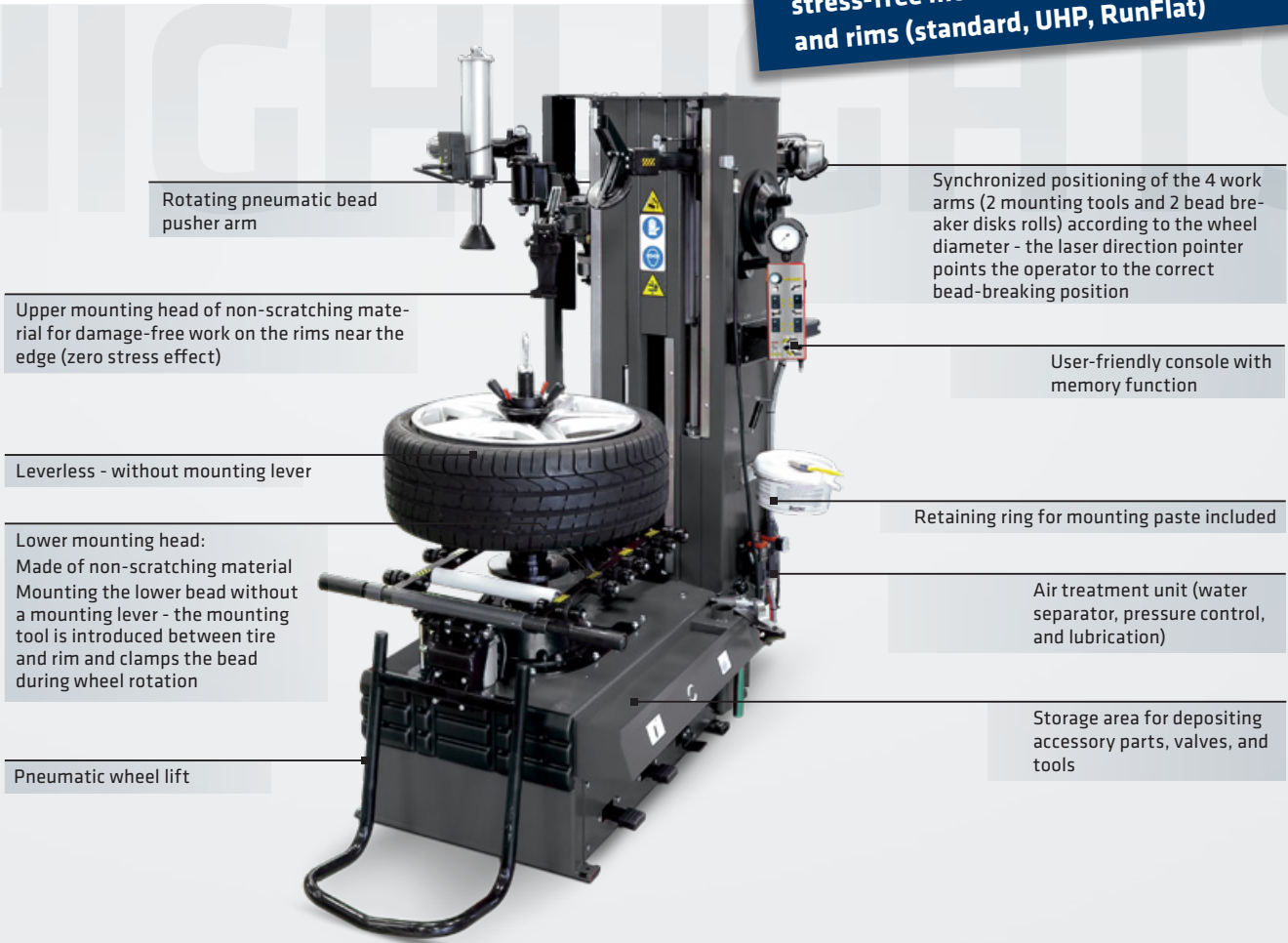
TIRE CHANGER

AUTOMATIC TIRE CHANGER

AIKIDO.4 Premium-MB Leverless, incl. pneumatic bead pusher and wheel lift, passenger car, rim diameter: 10" - 34".

New: Smart-Lock for rim clamping included!

+ 10" - 34" Leverless tire changer, equipped with the patented Butler mounting tool for stress-free mounting and removal of all tires and rims (standard, UHP, RunFlat)



Rotating pneumatic bead pusher arm

Upper mounting head of non-scratching material for damage-free work on the rims near the edge (zero stress effect)

Leverless - without mounting lever

Lower mounting head: Made of non-scratching material Mounting the lower bead without a mounting lever - the mounting tool is introduced between tire and rim and clamps the bead during wheel rotation

Pneumatic wheel lift

Synchronized positioning of the 4 work arms (2 mounting tools and 2 bead breaker disks rolls) according to the wheel diameter - the laser direction pointer points the operator to the correct bead-breaking position

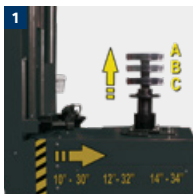
User-friendly console with memory function

Retaining ring for mounting paste included

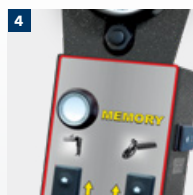
Air treatment unit (water separator, pressure control, and lubrication)

Storage area for depositing accessory parts, valves, and tools

HIGHLIGHTS IN DETAIL



1 Patented self locking extra-grip clamping plate, also suitable for reverse rims
Patented extra-grip self locking plate for central wheel mount:
- Automatically increases the clamping pressure during rotation
- Three adjustable working position

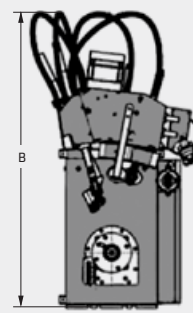
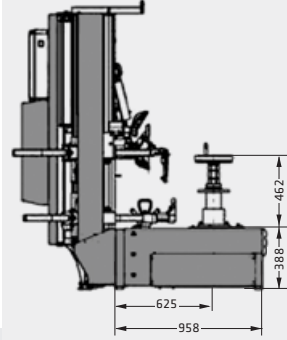
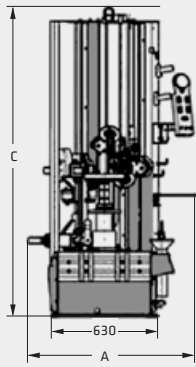


2 Rim sensors on the disks for correct and safe bead breaking without damaging the tire side wall and the pressure sensor
3 Electric motor with inverter and speed limiter for individual speed control
4 "Memory" button for storing the tool height, permits time saving during mounting and removal work

ACCESSORIES ON REQUEST

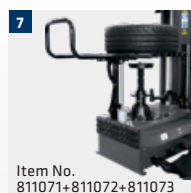
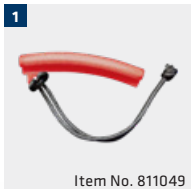
+ Universal flange for wheels without center hole, suitable also for reverse mounted wheels

AIKIDO.4 Premium-MB



Model	AIKIDO.4 Premium-MB
Clamping range	10" - 34"
wheel width max.	15"
Wheel diameter max.	1370 mm
Wheel weight max.	80 kg
Automatic bead-breaking movement	X
Bead-breaking force	1200 kg
Rotation speed	0-16 rpm
Torque max.	1177 Nm
Power inverter motor	1,5 kW
Motor power	0,75 kW
Compressed air supply	8-10 bar
Mains frequency	50/60 Hz
Mains voltage (AC)	200/265 V
Phases	1
Fuse protection	16 A träge
A Width	951 mm
B Depth	1567 mm
C Height	1842 mm
Weight	370 kg
Article number	811978

SCOPE OF DELIVERY



- 1** Rim flange plastic protection, also for run-flat tyres (1 piece)
- 2** Quick-clamping lock
- 3** WulstBoy with towing device Standard + Magic cord with traction
- 4** Bead protection foils (1 set / 50 pieces)
- 5** Cone for 40 mm shaft
- 6** Light truck spacer ring
- 7** Pneumatic bead pusher and pneumatic wheel lift (not retrofittable)
 - + Upper mounting head for convex rim
 - + WDK certificate (811055)

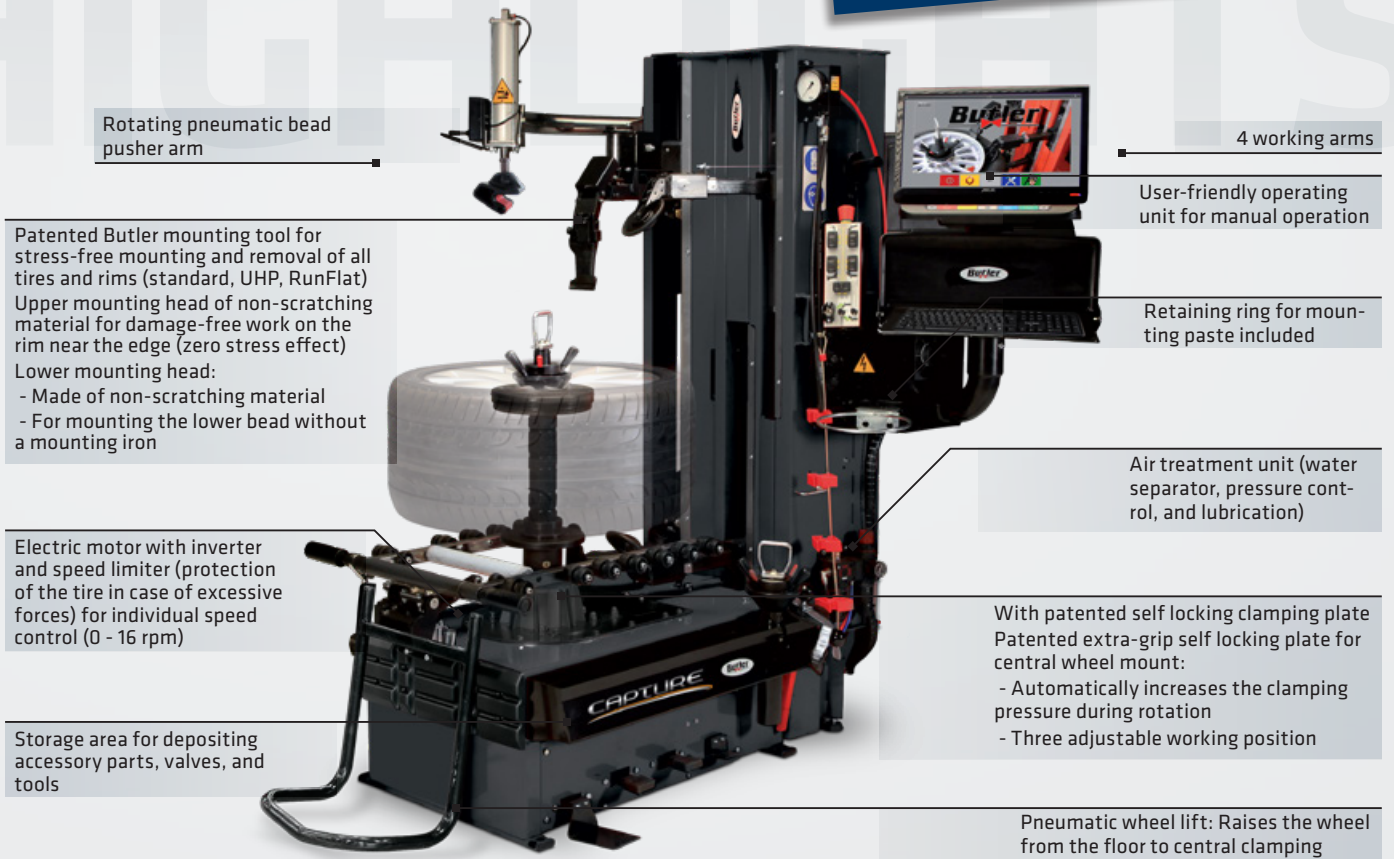
TIRE CHANGER

COMPUTERIZED AUTOMATIC TIRE CHANGER

Capture.4 Premium-MB Leverless, computerized, incl. pneumatic bead pusher and wheel lift, passenger car, rim diameter: 10" - 34".

New: Smart-Lock for rim clamping included!

+ 10" - 34" fully automatic tire changer that can perform all mounting and removal work without touching by hand
+ Leverless - No mounting lever required



Rotating pneumatic bead pusher arm

Patented Butler mounting tool for stress-free mounting and removal of all tires and rims (standard, UHP, RunFlat)
Upper mounting head of non-scratching material for damage-free work on the rim near the edge (zero stress effect)
Lower mounting head:
- Made of non-scratching material
- For mounting the lower bead without a mounting iron

Electric motor with inverter and speed limiter (protection of the tire in case of excessive forces) for individual speed control (0 - 16 rpm)

Storage area for depositing accessory parts, valves, and tools

4 working arms

User-friendly operating unit for manual operation

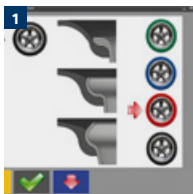
Retaining ring for mounting paste included

Air treatment unit (water separator, pressure control, and lubrication)

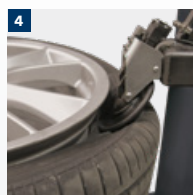
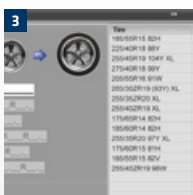
With patented self locking clamping plate
Patented extra-grip self locking plate for central wheel mount:
- Automatically increases the clamping pressure during rotation
- Three adjustable working position

Pneumatic wheel lift: Raises the wheel from the floor to central clamping

HIGHLIGHTS IN DETAIL



1 In the automatic mode you only have to enter the wheel dimension with the keyboard, confirm it and move the valve sensor to the 12 o'clock start position. By pressing the start button, the Capture4 is ready for work in automatic mode and positions all tools (2 mounting tools and 2 bead breaker disks rolls) in the correct work positions.

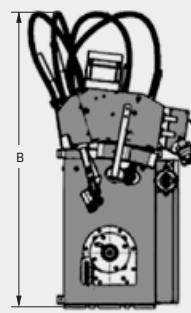
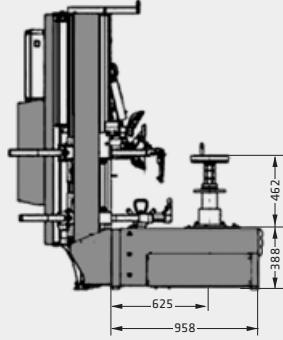
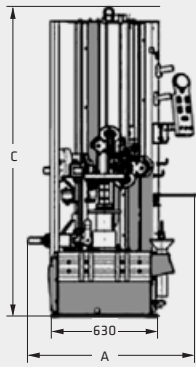


2 3 automatic programs:
- Assembly/ Disassembly (standard)
- Disassembly (for example for vehicle recyclers)
- Assembly (for example for vehicle manufacturers)
3 Database can be personalized
4 Equipped with the exclusive active Butler sensor system and computer-controlled sequence program by input and storage of customer-specific tire dimensions

ACCESSORIES ON REQUEST

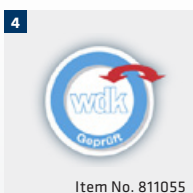
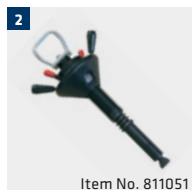
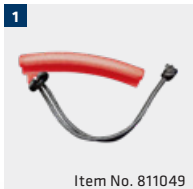
+ Universal flange for wheels without center hole, suitable also for reverse mounted wheels

Capture.4 Premium-MB



Model	CAPTURE.4 Premium-MB
Clamping range	10" - 34"
wheel width max.	15"
Wheel diameter max.	1370 mm
Wheel diameter max.	80 kg
Automatic bead-breaking movement	X
Bead-breaking force	1200 kg
Rotation speed	0-16 rpm
Torque max.	1373 Nm
Power inverter motor	1,5 kW
Motor power	0,75 kW
Compressed air supply	8-10 bar
Mains frequency	50/60 Hz
Mains voltage (AC)	200/265 V
Phases	1
Fuse protection	16 A träge
A Width	1590 mm
B Depth	1915 mm
C Height	1842 mm
Weight	510 kg
Article number	811979

SCOPE OF DELIVERY



- 1 Rim flange plastic protection (1 piece)
- 2 Quick-clamping lock
- 3 Bead protection foils (1 set / 50 pieces)
- 4 WDK certificate
- 5 Cone for 40 mm shaft
- 6 Light truck spacer ring

Pneumatic bead pusher, WDK pusher, Pneumatic wheel lift (811002 + 811072 + 811074)
 + Upper mounting head for convex rim (811606)
 + WulstBoy with pulling device Capture
 + Bead chain 22" or extension of the bead chain to 28" (811052)

WHEEL BALANCER

ELECTRONIC MONITOR WHEEL BALANCER

Librak355PWS Pro-MB Cone set, cone for SUV, passenger car, rim diameter: 10" - 30"

+ 19-inch screen (operation via membrane keyboard)
+ Compact and space-saving design



19" monitor (foil keyboard)

Programs: ALU-S, DYN, STATIC, SPLIT, SPOKE

ECO-WEIGHT program

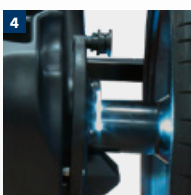
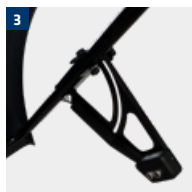
Automatic start by lowering the wheel guard

Quickly operational thanks to automatic program sequence and automatic locking in position of the outer counterweight

The machine automatically stops the wheel in the outside unbalance position

Automatic measurement of distance and diameter by integrated 2D measuring arm

HIGHLIGHTS IN DETAIL



1 Indicates the weight positioning with a laser line at 6 o'clock (for adhesive weights)

2 Automatic start when the wheel guard is lowered. The machine automatically stops in the unbalance position wheel side outside and automatically turns to the second unbalance position wheel side inside at the push of a button.

3 Pressing a button moves from the outside to the inside unbalance position

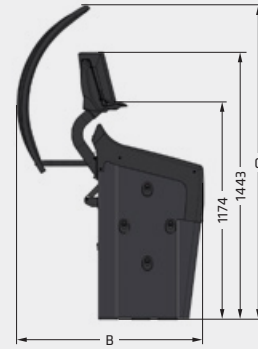
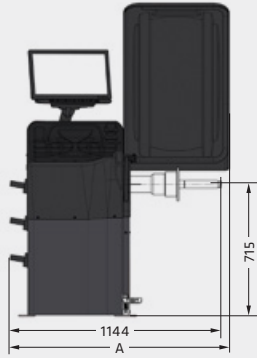
4 LED light

5 Electronic wheel balancer with pneumatic clamping device

GENERAL ACCESSORIES ON REQUEST

- + Various type flanges, cones, centring sleeves, etc.
- + Compatible printer kit and much more.

Librak355PWS Pro-MB



Model	Librak355PWS Pro-MB
Measuring speed	< 100 U/min
Measuring time	6 s
Balancing accuracy	+/- 1 g
Rim width	1.5" - 22"
Rim diameter	10" - 30"
Wheel diameter max.	1120 mm
Wheel weight max.	70 kg
Mains frequency	50/60 Hz
Mains voltage (AC)	110 - 230 V
Phases	1
A Width	1188 mm
B Depth	1009 mm
C Height	1697 mm
Weight	150 kg
Article number	811980

SPECIFICATIONS

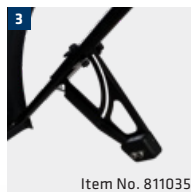
SCOPE OF DELIVERY



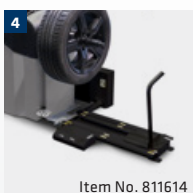
Item No. 811033



Item No. 811034



Item No. 811035



Item No. 811614



Item No. 811981

1 Passenger car cone set Ø 44 - 112 mm

2 SUV cone Ø 95 - 132 mm

3 Sonar for width acquisition

4 Wheel jack for Librak with weight compensation

5 Centering cones step-shaped

Further accessories: see Butler price list Standard

WHEEL BALANCER

COMPUTERIZED MONITOR WHEEL BALANCER

Librak380PWS Premium-MB Ultrasonic runout measuring device, touchscreen, laser pointer H6 and laser H12, cone set, cone for SUV, passenger car, rim diameter: 10" - 30"

+ 19" Touchscreen monitor with additional keyboard

19" Touchscreen monitor with additional keyboard

Pressing a button moves from the outside to the inside unbalance position

Programs: ALU-S, DYN, STATIC, SPLIT, SPOKE

ECO-WEIGHT program

Automatic wheel width sonar for measuring the wheel width

The machine automatically stops the wheel in the outside unbalance position

LED light

Automatic measuring of distance and diameter by internal 2D measuring arm

HIGHLIGHTS IN DETAIL

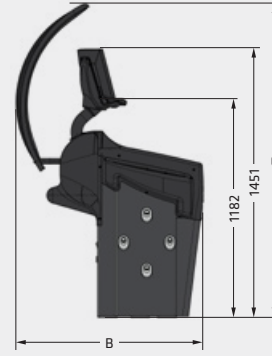
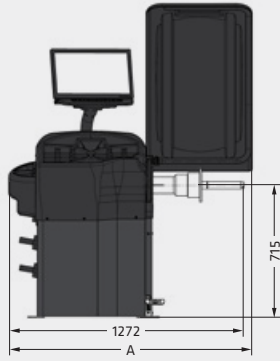


- 1** Indicates the exact weight positioning with a laser pointer
- 2** Laser display at 12 o'clock for positioning clamp weights with dynamic programme
- 3** Rim out-of-roundness measurement with 2D measuring arm
- 4** Vertical run-out measurement with ultrasonic out-of-roundness measuring device
- 5** LED lighting of the rim
- 6** Computer-controlled balancing machine with pneumatic clamping device

GENERAL ACCESSORIES ON REQUEST

- + Various type flanges, cones, centring sleeves, etc.
- + Compatible printer kit and much more.

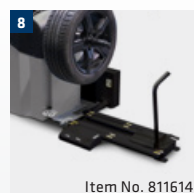
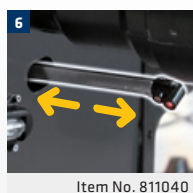
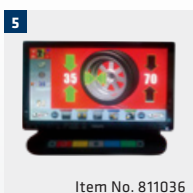
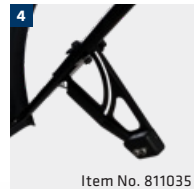
Librak380PWS Premium-MB



Model	Librak380PWS Premium-MB
Measuring speed	< 100 U/min
Measuring time	6 s
Balancing accuracy	+/- 1 g
Rim width	1.5" - 22"
Rim diameter	10" - 30"
Wheel diameter max.	1120 mm
Wheel weight max.	70 kg
Mains frequency	50/60 Hz
Mains voltage (AC)	110 - 230 V
Phases	1
A Width	1316 mm
B Depth	1009 mm
C Height	1697 mm
Weight	190 kg
Article number	811982

SPECIFICATIONS

SCOPE OF DELIVERY



- 1 Touchscreen
 - 2 Passenger car cone set Ø 44 - 112 mm
 - 3 SUV cone Ø 95 - 132 mm
 - 4 Sonar for width acquisition
 - 5 Keyboard for touchscreen
 - 6 Laser dot at 6 o'clock position for adhesive weights
 - 7 Ultrasonic runout measuring device
 - 8 Wheel jack for Librak with weight compensation
- + Centering cones step-shaped (811981)

Further accessories: see Butler price list Standard

WHEEL BALANCER

AUTOMATIC COMPUTERIZED MONITOR WHEEL BALANCER

Librak430P.3DTec Pro-MB Touchscreen, keyboard, cone set, cone for SUV, sonar for rim width, laser scanning, ultrasonic runout sensor, passenger car, rim diameter: 10" - 30"

+ Fully automatic, computer-controlled balancing machine with pneumatic clamping device
 + Equipped with automatic wheel width sonar and rim profile laser scanner

19" touchscreen with additional keyboard

ECO-WEIGHT program

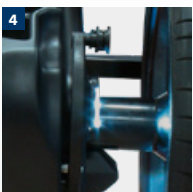
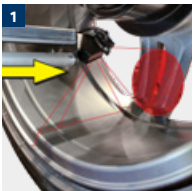
Ultrasonic runout sensor included

Laser indication at 12 o'clock for positioning clamp weights with dynamic program

Indicates the exact weight positioning with a laser pointer, pressing a button, turns automatically to the second unbalance position

LED illumination of the rim

HIGHLIGHTS IN DETAIL



1 In automatic balancing mode, the machine automatically selects the balancing program and scans the rim profile for optimum weight positioning. The number of spokes is also determined automatically

2 With external rim measuring sonar for automatic detection of the rim width

3 The machine stops automatically in the unbalance position wheel outside with electric brakes. With aluminium program with adhesive weights directly divided behind the spokes.

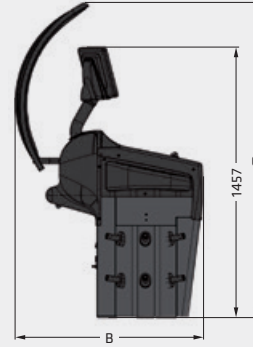
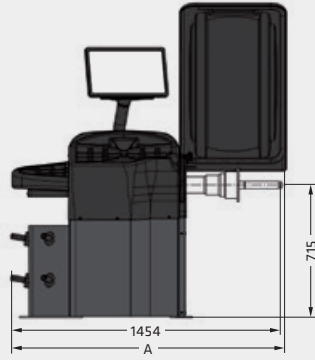
4 LED lighting of the rim

5 Electronic balancing machine with pneumatic clamping device

GENERAL ACCESSORIES ON REQUEST

- + Various type flanges, cones, centring sleeves, etc.
- + Compatible printer kit and much more.

Librak430P.3DTec Pro-MB



Model	Librak430P.3DTec Pro-MB
Measuring speed	< 100 U/min
Measuring time	6 s
Rim width	+/- 1 g
Rim diameter	1.5" - 22"
Wheel diameter max.	10" - 30"
Wheel weight max.	1120 mm
Mains frequency	80 kg
Mains voltage (AC)	50/60 Hz
Netzspannung (AC)	110 - 230 V
Phases	1
A Width	1480 mm
B Depth	1009 mm
C Height	1697 mm
Weight	200 kg
Article number	811983

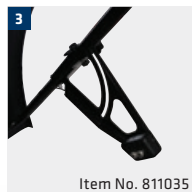
SCOPE OF DELIVERY



Item No. 811033



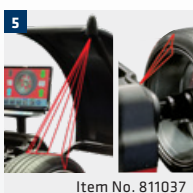
Item No. 811034



Item No. 811035



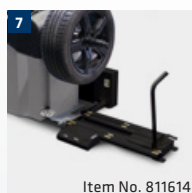
Item No. 811036



Item No. 811037



Item No. 811038



Item No. 811614



Item No. 811981

- 1 Passenger car cone set Ø 44 - 112 mm
- 2 SUV cone Ø 95 - 132 mm
- 3 Sonar for width acquisition
- 4 Keyboard for touchscreen
- 5 Laser H12 (dynamic mode)
- 6 Ultrasonic runout measuring device
- 7 Wheel jack for Librak with weight compensation
- 8 Centering cones step-shaped

Further accessories: see Butler price list Standard

WHEEL ALIGNER



DATA TRANSMISSION VIA RADIO

The completely wireless 3D camera system of the **SPEED3DHP-MB** with Bluetooth transmission is versatile – due to its compact size it is also suitable for workshops with limited space.

+ Compact 3D wheel aligner with completely wireless measurement technology
+ Mercedes-Benz tested and approved software
+ 3-point wheel holder; self-centering

Thanks to the mobile camera system including a wireless 3D camera and Bluetooth transmission, the **SPEED3DHP-MB** can be used at several workstations and does not require any space in front of the lifting platform. The battery life of 8 hours allows working in the workshop throughout the entire working day.

Automatic importing of the level values by the ROMESS device possible.

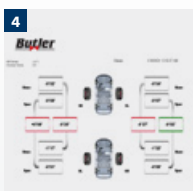
The digital remote display on the sensors ensures easy adjustment even without visual contact to the monitor.

The equipment operation via the compact lightweight sensors eliminates unnecessary working distances. Ultra-light, maintenance-free 3D targets without electronic components.

Reflectors can be used with original Mercedes-Benz wheel holders for measuring without run-out compensation. Self-centering three-point holders included.

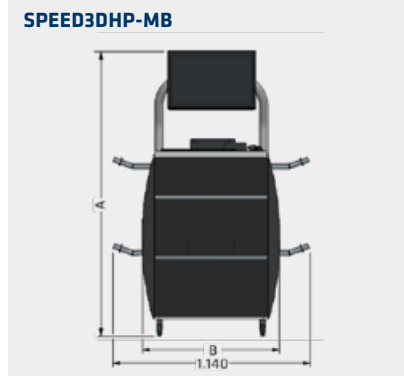


HIGHLIGHTS IN DETAIL



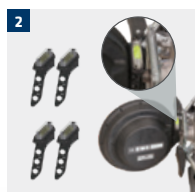
- 1** High-precision three-point wheel holder
- 2** Precision rotary disk with compensation elements for rolling compensation
- 3** Thanks to the wireless Bluetooth measuring sensors, the **SPEED3DHP-MB** can be used on the go. The measuring sensors are equipped with a display and a remote control.
- 4** MKS software as standard
- 5** The scope of supply includes a second battery pack.

Model	SPEED3DHP-MB
Rollback compensation	Roll compensation
Individual toe front/rear axle	+/- 20°
Total toe	+/- 20°
Toe-out on turns	+/- 20°
Camber front/rear axle	+/- 10°
Caster	+/- 18°
Caster, camber, toe elevated	present
Caster trail	present
SAI	+/- 18°
Toe curve change	present
Wheel offset	+/- 5°
Wheel offset front axle	+/- 5°
Thrust angle	+/- 5°
Geometric centre line	+/- 5°
Steering angle max.	+/- 50°
Wheel sizes	8" - 24"
Track width	2500 mm
Wheel base	up to 4500 mm
Ackermann angle	measurable
Automatic ride height measurement	Option
Ride height modified vehicle specs	present
Caster, camber, toe live turntables	present
Caster, camber, toe live elevated	present
Camber and toe (caster frozen)	present
Monitor	22"
Display	yes
Network compatible	yes
Data transmission type	Bluetooth
Measuring system	Camera-based 3D system
Sensor count	2 camera units/4 reflectors
Tyre diameter	8" to 24"
Turntable capacity	up to 760 mm
Clamping range of wheel clamps	1.000 Kg
Battery operation hours	around 8 hours
Electrical connector	230V
A Height	1600 mm
B Width	800 mm
C Depth	660 mm
Weight	95 Kg
Article number	810212



SPECIFICATIONS

SCOPE OF DELIVERY



- 1** High precision turntables (1 set / 2 pieces)
 - 2** 3D Targets (4 pieces)
 - 3** 3-point clamps (4 pieces) for universal rims
 - 4** Brackets for 3D transducers (2 sets)
 - 5** Steering wheel and brake pedal lock.
15552 (Steering wheel lock) and 10479 (Brake pedal lock).
 - 6** Batteries (2 set / 4 pieces)
- + Electronic measuring heads (2 pieces) with high-resolution cameras
- + PC console with mouse and DVD reader, battery charging station, printer, 22-inch monitor and keyboard

BATTERY CHARGING DEVICE

Meets performance category 2

HIGH FREQUENCY BATTERY CHARGING DEVICE

This HS charger generation offers a wide range of chargers from 35 A up to 50 A, which are suitable for 12 V / 24 V and especially for the workshop and showroom area. This genera-

tion of chargers is suitable for wet, gel, fleece, AGM, calcium and Li-Ion starter batteries.

+ Automatic charging voltage detection for 12 V and 24 V
+ Battery Quick Charger
+ Made in Germany

This Elektron loading technology has been specially developed to fully meet the demands of workshops and OEMs (original equipment manufacturers).

This generation of chargers constantly delivers the displayed current, especially important during the control unit diagnosis for the new generation of vehicles.



Comfortable battery charging and care thanks to the processor-supported IUoU characteristic.

All Elektron charging devices have battery charging cables with fully isolated charging clamps.

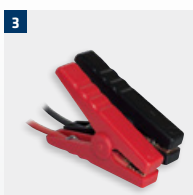
Secure charging by short circuit and reverse polarity protection.



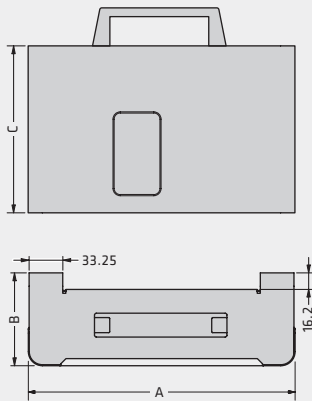
HIGHLIGHTS IN DETAIL



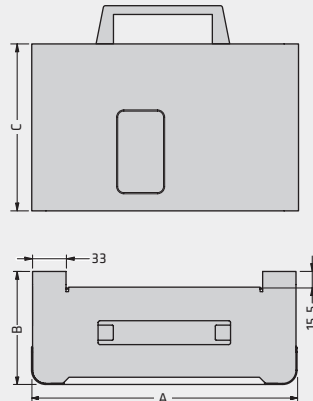
- 1 Robust, workshop-oriented casing
- 2 Status display via LEDs (HS12/24-35P and HS12/24-50P)
- 3 High quality, fully isolated charging clamps



HS 12/24-35P



HS 12/24-50P



Model	HS 12/24-35P	HS 12/24-50P
Nominal charge voltage	12 / 24 V	12 / 24 V
Charge current max.	35 / 35 A	50 / 50 A
Battery type	Wet, gel, fleece, AGM, calcium and Li-Ion	Wet, gel, fleece, AGM, calcium and Li-Ion
Power	1.000 W	1.500 W
Characteristic line	IUoU	IUoU
Protection class	IP21	IP21
Weight	3.1 kg	3.5 kg
Length charging cable	3 m	3 m
A Dimensions (W x D x H)	260 mm	260 mm
B	164 mm	164 mm
C	93 mm	113 mm
Length mains cable	2 m	2 m
Article number	520553	520111

SPECIFICATIONS

BATTERY CHARGER

Meets performance category 2

HIGH-FREQUENCY BATTERY CHARGER

The battery charger **HS12/24-50DR** offers a wide range of technical possibilities. The HS12/24-50DR was specially desi-

gned in accordance with the requirements of the automotive industry.

+ Multi-resonant converter technology
 + Permanent power supply of up to 50A is ensured
 + Automatic charge voltage detection
 + Made in Germany

High-frequency battery charger with automatic IUoU charging characteristic for workshop use.

Intuitive operation of the battery charger with Easy-Touch graphic display.

The back-up mode prevents data loss when replacing the battery.

Permanent charging without voltage peaks for diagnostic work on vehicles.



Multi-resonant converter technology for daily professional workshop use.

Desulfation mode for refreshing sulfated batteries.

Deep discharge soft start function from 0.5V per cell (equivalent to 1/4 of the rated battery voltage)

Automatic I-check of the battery to be charged: Automatic resumption when battery test has been passed, otherwise output of a time error.

HIGHLIGHTS IN DETAIL



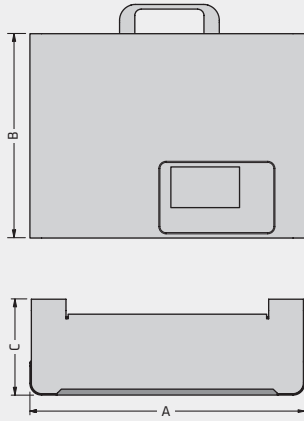
1 Battery charger with USB port for software updates in order to upload any new characteristic curves - this way the appliance is always up to date.

2 Information and operation via the Easy-Touch graphic display.

3 Wall bracket included.



4 Easy to change the charging cable via plug connection.

HS 12-24-50DR

Model	HS 12-24-50DR
Nominal charge voltage	12/24 V
Charge current max.	50/50 A
Battery type	Wet, gel, fleece AGM, calcium, and Li-Ion
Power (Consumption)	800 W
Characteristic line	IUoU
Protection class	IP21
Weight (Appliance without cable)	4,5 kg
A Width	325 mm
B Depth	245 mm
C Height	115 mm
Article number	520623

SPECIFICATIONS

BATTERY CHARGER

Meets performance category 3

HIGH-FREQUENCY BATTERY CHARGER

This HS charger generation offers a wide range of chargers up to 120 A, which are suitable for 12 V / 24 V. These devices can ensure the constant supply of the specified power that is of

particular importance for flashing the control units of newer vehicle generations.

+ Multi-resonant converter technology
 + Constant power supply up to 120 A is guaranteed
 + Made in Germany

These battery chargers were specifically designed to meet the requirements of the workshops and OEM's – and more.

Multi-resonant converter technology for everyday professional workshop use.

Deep-discharge soft start function from 0.5 V per cell (equivalent to 1/4 of the rated battery voltage).

Support operation prevents data loss when changing the battery.

Intuitive operation of the battery charger via Easy Touch Graphic Display.

Constant charging without voltage peaks for flashing control units.



Desulfation mode for refreshing sulphated batteries.

Adjusting the voltage in 12 V operation by steps of 0.1 V is possible.

HIGHLIGHTS IN DETAIL

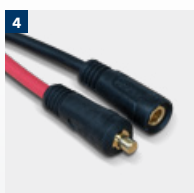
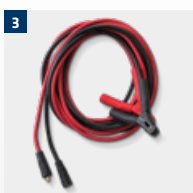


1 The battery chargers include battery charging cables with fully insulated charging clips.

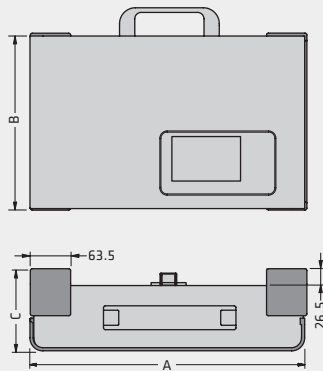
2 Information and operation via the touch screen.

3 5.0 m battery charging cable with a diameter of 2 x 25².

4 Easy change of the charging cables via plug connection.



HS12/24-120



Model	HS12/24-120
Nominal charge voltage	12 / 24 V
Charge current max.	120 / 60 A
Battery type	Nass, Gel, Vlies AGM, Calcium and Li-Ion
Power	2.000 W
Characteristic line	IUoU
Protection class	IP21
Weight	10 kg
A Dimensions (W x D x H)	430 mm
B	270 mm
C	130 mm
Length charging cable	5 m
Length mains cable	5 m
Article number	520550

SPECIFICATIONS

ACCESSORIES



Item No. 520560

1 Trolley, suitable for battery charger HS12/24-120

PORTABLE TYRE PRESSURE REGULATOR

0-12 BAR

The PNEUREX handy high-performance tire pressure regulator is ideal for the first complete inflation of tires.

- + Overpressure-proof precision manometer Ø 80mm
- + With sturdy aluminum handle and rubber protective cap
- + Single lever operation, calibratable

Integrated protective mechanisms prevent damage to the pressure gauge in the event of accidental excess pressure.

Thanks to the 500mm long filling hose with lever plug nipple, even difficult to access valves can be optimally reached, freedom of movement is always maintained.

PTB approval: All BLITZ tire pressure regulators are approved by the National Metrological Institute (Physikalisch-Technische Bundesanstalt) Braunschweig (PTB). BLITZ tire pressure regulators meet the legal calibration requirements that are in place in Germany.

With the single-lever control, which is equally suitable for right-handed and left-handed users, air pressure can be intuitively checked, filled and released directly on the vehicle.

The tire pressure regulator can be supplied quickly and easily with the suspension eye integrated in the control lever. Tripping hazards caused by hoses lying around are thus avoided.

The use of light aluminum alloys and impact-resistant plastics reduces the total weight of the PNEUREX tire regulator to a minimum.



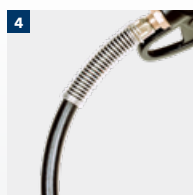
HIGHLIGHTS IN DETAIL



1 With the single lever operation, all operating functions can be called up with one hand: checking, filling and draining.

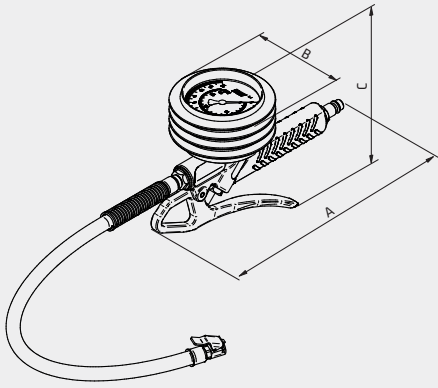
2 The 80mm large dial offers plenty of space for generous, easy-to-read labeling.

3 The FLEX4 rubber protective cap reliably protects the mechanics of the precision pressure gauge against external impacts.



4 The integrated kink protection stabilizes the filling hose at the outlet and thus ensures a long service life and significantly less wear.

PNEUREX



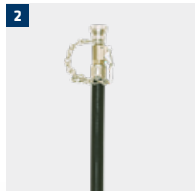
Model	PNEUREX							
			Kombi	Kombi	1	1	2	2
Pressure gauge ø	80 mm	80 mm	80 mm	80 mm	80 mm	80 mm	80 mm	80 mm
Deviation*	according to EEC 86/217 bar	according to EEC 86/217 bar	according to EEC 86/217 bar	according to EEC 86/217 bar	according to EEC 86/217 bar	according to EEC 86/217 bar	according to EEC 86/217 bar	according to EEC 86/217 bar
Filling pressure max	4 bar	12 bar	4 bar	12 bar	4 bar	12 bar	4 bar	12 bar
Filling pressure max	4 bar	12 bar	4 bar	12 bar	4 bar	12 bar	4 bar	12 bar
Calibration possible	yes	yes	yes	yes	yes	yes	yes	yes
Hose length	0,5 m	0,5 m	0,5 m	0,5 m	0,5 m	0,5 m	0,5 m	0,5 m
Valve adapter**	1	1	1 + 2	1 + 2	3	3	5	5
A Length	100 mm	100 mm	100 mm	100 mm	100 mm	100 mm	100 mm	100 mm
B Width	240 mm	240 mm	240 mm	240 mm	240 mm	240 mm	240 mm	240 mm
C Height	170 mm	170 mm	170 mm	170 mm	170 mm	170 mm	170 mm	170 mm
Weight	0,9 kg	0,9 kg	1 kg	1 kg	1 kg	1 kg	1 kg	1 kg
Article number	25094	25095	25144	25145	25154	25155	110136	110153

* Reading accuracy according to EEC / 86/217

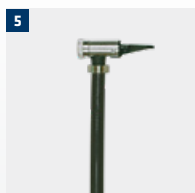
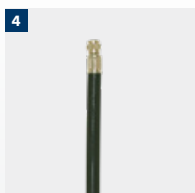
** Assignment of valve adapter

SPECIFICATIONS

ACCESSORIES (depending on the model)



- 1** Lever plug nipple
- 2** Valve adapter for bicycle tires
- 3** Double-sided petrol station plug
- 4** Valve screw adapter
- 5** Lever valve connector



PORTABLE TYRE PRESSURE REGULATOR

0-10 BAR

The portable Pneustar 2 tire pressure filler with storage tank carries compressed air at all times.

- + Portable tire pressure filler
- + Compressed air storage tank with a filling volume of 6 l
- + Automatic filling device

Weight-optimized design: By using light aluminum alloys and impact-resistant plastics, the total weight is reduced to a minimum.

Replaceable safety disk: Serviceability is a priority – to reduce maintenance costs.

Slanted precision pressure gauge (Ø 160 mm): Ensures optimal water drainage and nonglaring readability.

Safe against an overpressure of up to 16 bar: In the event of accidental pressure oversupply, built-in safeguard mechanisms prevent damage to the pressure gauge.

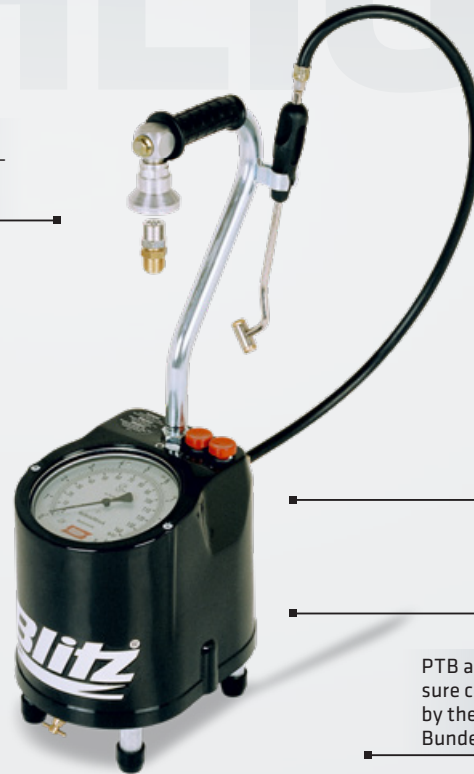
800 mm long filling hose: In conjunction with the double-sided gas station plug equipped as standard, even poorly accessible valves can be perfectly reached - the hands remain clean at all times.

Large spacing between filling bell and pressure gauge: Protects the precision pressure gauge when lifting the tire pressure controller from the filling device.

Low center of gravity: The intelligent design ensures a particularly high level of stability.

Compressed air storage tank: The compressed air supply in a galvanized version with a filling volume of 6 l.

PTB approval: All BLITZ tire pressure controller have been approved by the PTB (Physikalisch-Technische Bundesanstalt Braunschweig).



HIGHLIGHTS IN DETAIL

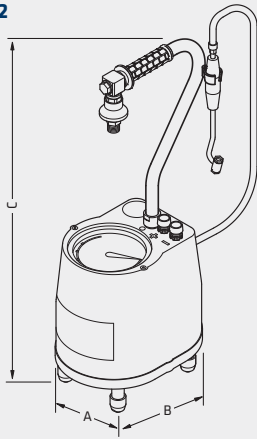


1 Ergonomic rubber handle: The non-slipping, skin-friendly material ensures pleasant comfort when carrying the tire pressure controller.

2 Elastomer-based support feet: The strong damping properties of the material serve to protect the pressure gauge when dropped in an ungentle way.

3 Two button operation: The buttons that make dosing easy and are protected against water and dust are used for filling and draining.

4 Automatic refilling device: The refilling device, consisting of a filling bell and a filling valve (counterpart), is also used for storing the tire pressure controller.

PNEUSTAR 2

Model	PNEUSTAR 2
Pressure gauge \varnothing	160 mm
Container contents	6 l
Vessel pressure max.	16 bar
Deviation	according to EWG/86/217 bar
Air supply min./max.	10 bar
Filling pressure max.	10 bar
Calibration possible	yes
Hose length	0,8 m
A Length	200 mm
B Width	270 mm
C Height	670 mm
Weight	6,1 kg
Article number	2518

SPECIFICATIONS

MOBILE WHEEL CARRIAGE

BATTERY POWERED

The wheel assembly trolley Master Wheel 80 is a powerful working tool, which is suitable for mounting and transporting

wheels. Numerous practical details enable the flexible use in every workshop environment.

- + BLITZ - Pioneer in wheel assembly trolleys
- + Double battery allows up to 100 lifting and lowering movements
- + Low-maintenance spindle
- + Safety carriage

Low-maintenance spindle: A novel construction protects the lifting spindle effectively from dirt and other external influences. Drive is by powerful electric motor with integrated safety brakes.

The MW80 is suitable for mounting and transporting wheels. The large handle facilitates movement.

The offset column makes it easy to work on the wheel.

Safety chassis: a low centre of gravity ensures optimum mobility while at the same time preventing tipping.

The powerful batteries and the control unit are protected in the floor assembly.

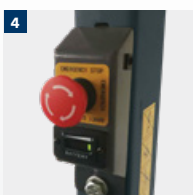
The batteries can be quickly recharged using the universal charging cable supplied.

Easy handling: The load can be easily manoeuvred thanks to the castors rotating around 360°

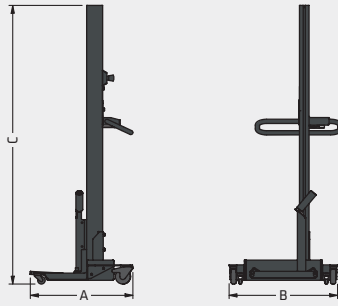
The wheel mounting trolley MW80 facilitates the lifting of heavy wheels and thus protects against back problems.



HIGHLIGHTS IN DETAIL



- 1 Lifting column offset. Ideal accessibility to the wheel bolts
- 2 Simple operation. The operating buttons are located under the storage tray. The wheel can be perfectly positioned on the vehicle by jogging.
- 3 The flexible, ball-bearing mounting fork with 3 additional guide rollers ensures optimum wheel mounting. The wheel can be turned easily with just one hand.
- 4 The battery indicator always indicates the current state of charge. An emergency stop button and a charging socket are easily accessible.
- 5 The built-in swivel soft castors (two of them with parking brakes) ensure smooth running.
- 6 A fine fuse to protect the electrical components is located under the removable cover.

MW-80

Model	MW-80
Capacity	80 kg
Tyre size	135/80 R13-325/35 R22
Stroke	1.440 mm
Lifting time	20 s
Lowering time	15 s
A Length	688 mm
B Width	726 mm
C Height	1.865 mm
Weight per column	60 kg
Article number	124524

SPECIFICATIONS

AGGREGATE LIFTING TABLE

FOOT-HYDRAULIC

The foot-hydraulically operated aggregate lifting table can be used universally, making it ideal for the safe removal and

installation of engines, gearboxes, HV batteries and chassis components from various manufacturers.

+ Top entry level model
+ High stability
+ Flexible application

Safety: The large footprint of the Master Gear lift tables provides high stability, enabling safe and precise work.

Easy to manoeuvre with load.

Can be combined with various on-site attachments - making the Master Gear S3 1.0 the comfortable workshop assistant.

Easy handling: Large wheels ensure mobility in the workplace.



Universally applicable: Also perfectly usable as a workbench.

The uniformly distributed threaded holes are cleaned up for attaching a wide variety of supports.

Flat, slim design for free positioning under the vehicle.

HIGHLIGHTS IN DETAIL



1 The mounting plate VarioDesk can be tilted in the transverse direction by $\pm 2^\circ$

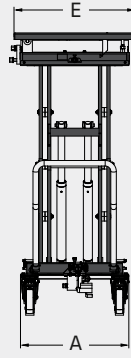
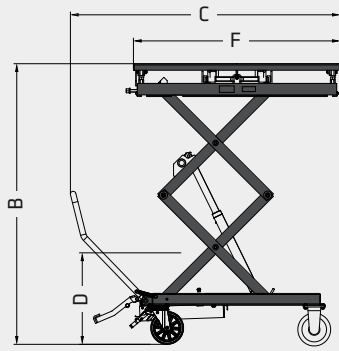
2 and can be moved ± 20 mm in the longitudinal and transverse direction.

3 The integrated lowering brake valve allows an exact dosing of the lowering speed. The load stroke is foot hydraulic.

4 Four castors (2 with integrated parking brakes).

5 Optional: lift table with pull-out handle. This allows moving the lifting table even when transporting a large, protruding battery in the lowered state.

Master Gear S3 1,0



Model	Master Gear S3 1,0
Capacity	1 t
Stroke	1330 mm
F Usable Table length max.	1260 mm
E Usable table width max.	740 mm
C Length	1644 mm - 2044 mm*
A Width	740 mm
D Height	635 mm
B Height max.	1965 mm
Weight	290 kg
Article number	114855

SPECIFICATIONS

GEARBOX LIFT

2.0-4.0 T, 1.100 MM STROKE, PNEUMATIC-HYDRAULIC, FOOT CONTROL

Our strong transmission and aggregate jacks especially for small and medium loads convince through simple operating comfort.

+ Intuitive 4-way operation – perfectly matched for the user
 + Sturdy and compact design
 + Made in Germany – since 125 years

Fully hydraulic lifting unit – with every lifting or lowering movement, the piston rods are wetted with oil – no rust on the cylinder wall and piston rod!

2-layer coating – Complex coating process for perfect corrosion protection.

Integrated parking brakes on the castors ensure a secure stability.



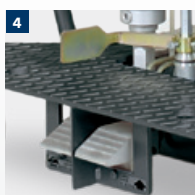
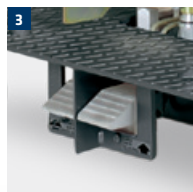
Both piston rod and pump piston are hard chrome-plated to protect against corrosion and wear.

From a load of 0.8 t, the chassis lowers automatically.

The particularly low center of gravity guarantees a tilt-proof position of the gear lift.

Figure shows Master Jack 4.0

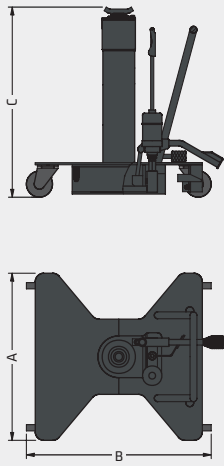
HIGHLIGHTS IN DETAIL



Intuitive 4-way operation includes:

- 1 The hydraulic-pneumatic quick lift ensures that the piston rod moves quickly to the load pick-up point.
- 2 Load lift by means of an air motor allows the load to be lifted simply by pedals.
- 3 Infinitely variable precision lifting by foot pedal – important for sensitive lifting and when inserting units.
- 4 Sensitive lowering of the lifting struts by means of an adjustable lever or foot pedal.
- 5 Hydraulic-pneumatic forced return allows a fast return of the strut with and without load.
- 6 The base plate of the chassis is fully accessible and can serve as a standing surface. The integrated holes are used for practical tool holding.

Master Jack



Model	Master Jack	
	2.5	4.0
Capacity	2.5 t	4 t
Stroke	1.100 mm	1.100 mm
Peg-diameter	35 mm	35 mm
Operating pressure	125 bar	200 bar
Max. height	2.020 mm	2.020 mm
C Overall height	920 mm	920 mm
A Set-up width /	800 mm /	800 mm /
B length	913 mm	913 mm
Compressed air connection	max. 12 bar	max. 12 bar
Weight	195 kg	195 kg
Article number	3741	3743

ACCESSORIES



1 Gearbox plates GA Pkw: Universally applicable for passenger cars, especially suitable for Mercedes-Benz automatic gearbox, tensioning belt for securing the load, large rubber supporting surface, not to be used with BLITZ gearbox lift Baby Jack, capacity 400 kg, peg \varnothing 35 mm, measurements 300 x 240 mm

2 Gearbox plates GA III: Adjustment angle $\pm 40^\circ$ / $\pm 17^\circ$, tensioning belt to secure the load, measurements adjustable to 600 x 400 mm, capacity 1 t, peg \varnothing 35 mm, measurements 400 x 300 mm

3 Gearbox plates GA IV: Adjustment angle $\pm 12^\circ$, weight = 23 kg, large rubber supporting surface, tensioning belts to secure the load, comfortable tilting in all directions by fork spanner, extremely flat construction, in series galvanised, capacity 1 t, peg \varnothing 35 mm, measurements 530 x 380 x 120 mm

GEARBOX LIFT

0.5-2.0 T, 1.100 MM STROKE, PNEUMATIC HYDRAULIC

Blitz transmission jacks convince with a simple and well thought-out operating concept – without compromise.

The perfect helper in the workshop.

+ Comfortable workshop assistant for small loads
+ Different load capacities available
+ Made in Germany – since 125 years

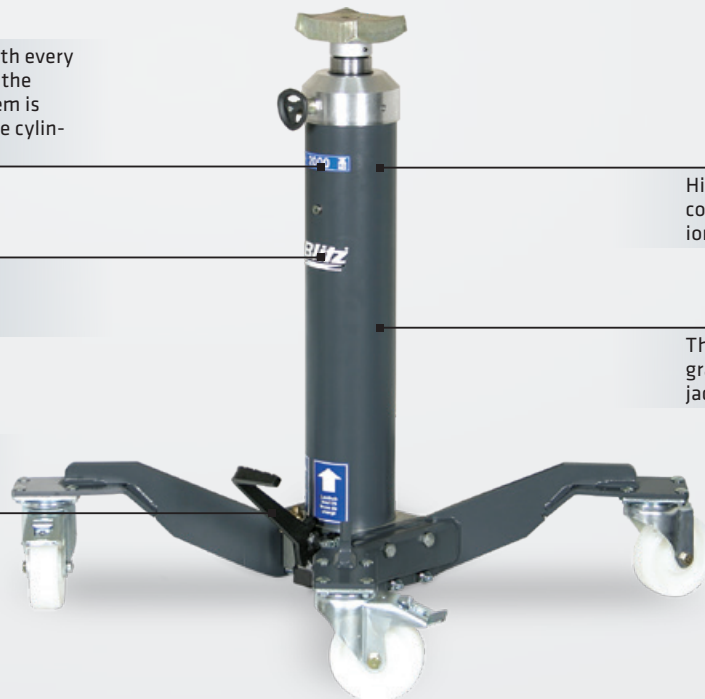
Fully hydraulic lifting unit – with every lifting or lowering movement, the hard-chrome plated piston stem is wetted with oil – no rust on the cylinder wall and piston rod!

The large cylinder stroke supports the safe removal of vehicle assemblies.

Compact size of the foot pedal prevents unintentional operation.

High-quality coating – Complex coating process for perfect corrosion protection.

The particularly low center of gravity guarantees that the gear jack is not tilting.



HIGHLIGHTS IN DETAIL



1 Running gear with four castors, two of which have a parking brake to prevent them from rolling away unintentionally

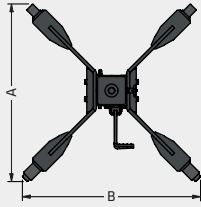
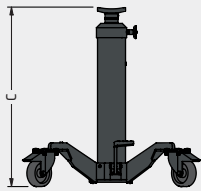
2 Ergonomic foot pedal for hydraulic load lift

3 Pushbuttons for pneumatic quick lift ensure rapid movement of the piston rod to the load pick-up point

4 Manual drain valve with dead man's control enables particularly sensitive, precise, and safe lowering of the pit jack



Junior Jack S2



Model	Junior Jack S2		
	0.5	1.2	2.0
Capacity	0.5 t	1.2 t	2 t
Stroke	1.100 mm	1.100 mm	1.100 mm
Peg-diameter	35 mm	35 mm	35 mm
Max. height	1.930 mm	1.930 mm	1.930 mm
A Overall height	830 mm	830 mm	830 mm
B Set-up width /	800 mm /	800 mm /	800 mm /
C length	800 mm	800 mm	800 mm
Compressed air connection	6	6	6
Weight	60 kg	61 kg	61 kg
Article number	110424	124232	109362 W 000 588 11 62 00

SPECIFICATIONS

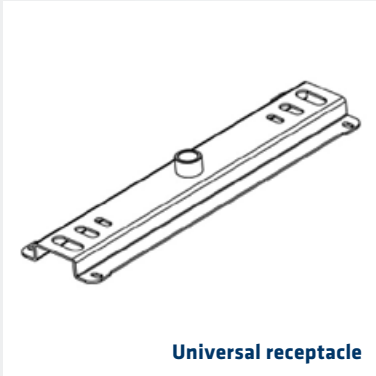
ACCESSORIES



1 Gearbox plates GA Pkw: Universally applicable for passenger cars, especially suitable for Mercedes-Benz automatic gearbox, tensioning belt for securing the load, large rubber supporting surface, not to be used with BLITZ gearbox lift Baby Jack, capacity 400 kg, peg Ø 35 mm, measurements 300 x 240 mm

2 Gearbox plates GA III: Adjustment angle $\pm 40^\circ / \pm 17^\circ$, tensioning belt to secure the load, measurements adjustable to 600 x 400 mm, capacity 1 t, peg Ø 35 mm, measurements 400 x 300 mm

3 Gearbox plates GA IV: Adjustment angle $\pm 12^\circ$, weight = 23 kg, large rubber supporting surface, tensioning belts to secure the load, comfortable tilting in all directions by fork spanner, extremely flat construction, in series galvanised, capacity 1 t, peg Ø 35 mm, measurements 530 x 380 x 120 mm

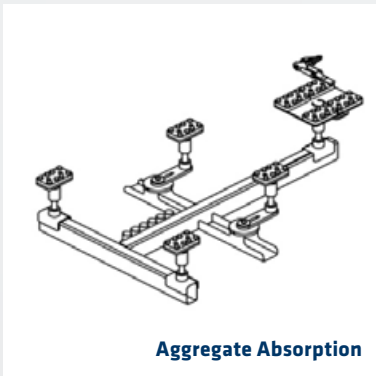


UNIVERSAL RECEPTACLE 35 mm

The centre uptake can only be used in connection with the Master Gear 1.0 (Art.No.114855). It is equipped with a socket with a $\varnothing 35$ mm mounting hole.

This allows it to accommodate various tools, such as the GA PKW gear plate (Art.No. 3136), a dismantling device for integral support frames (Art.No. 37410061), a dismantling device for M-class axles (Art.No.101491) etc.

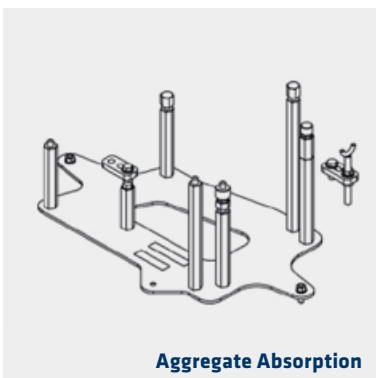
Article-No. 103544



AGGREGATE ABSORPTION UNIVERSAL LOADING CAPACITY 800 kg

Faster, safer assembly and disassembly of the whole integral support frame, with all aggregates connected to a BLITZ aggregate lifting platform Master Gear 1.0, secured by means of a tensioning strap, yellow chromitized, weight 20 kg, loading capacity 800 kg utility model protection Germany No. 20 2005 000 834.6 for W221, W164, W209, R171, R230, R251

Article-No. 107856

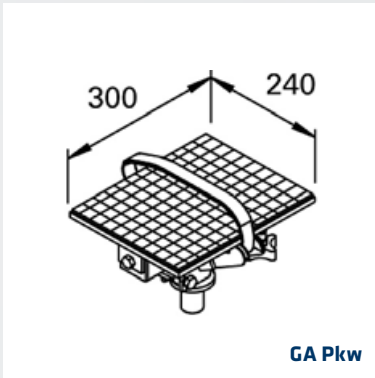


AGGREGATE ABSORPTION 454 CDI (SMART) LOADING CAPACITY 180 kg

W 000 588 03 62 01

Faster, safer assembly and disassembly of the whole integral support frame, with all aggregates connected to a BLITZ aggregate lifting platform Master Gear 0.5 or 1.0, yellow chromitized, weight 10 kg, loading capacity 180 kg.

Article-No. 108260



GA Pkw

GEAR PLATE GA PKW LOADING CAPACITY 400 kg

W 000 588 10 62 00

Of universal application for personal vehicles, especially suitable for Mercedes-Benz automatic transmission, tensioning strap for securing load, large rubber supporting surface, loading capacity 400 kg, Ø 35 mm pin, dimensions 300 x 240 mm

Article-No. 3136

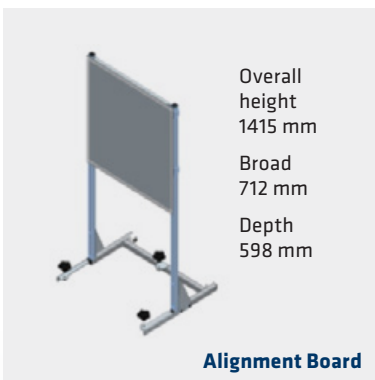


Load Regulator for passenger cars

**LOAD REGULATOR FOR PERSONAL VEHICLES
LOAD CAPACITY 500 kg**

To balance the motor during assembly.

Article-No. 121351



Alignment Board

RADAR ALIGNMENT BOARD / MB-PICKUP 28 kg

W 470 588 00 21 00

The radar sensor used for the Mercedes X class (pickups, series 470 & 471) has to be precisely calibrated.

This becomes necessary following work on the chassis, for example.

The vehicle's radar sensor can be aligned using the alignment board and a standard cross-line laser (W 000 588 20 21 00).

Article-No. 125050



Technical changes reserved.
 Data are considered advertisement.
 Mercedes-Benz-Portfolio-BR-128720-en-2021-03