

# AGGREGATE LIFTING TABLE

## FOOT-HYDRAULIC

The aggregate lifting table can be used universally, thus making it excellent for safely removing and installing engines, gearboxes, HV batteries and chassis components from a wide range of

manufacturers - simply the best and most comfortable workshop assistant.

- + Ideal for installing and removing vehicle components
- + High stability
- + Flexible application

The countless evenly spaced threaded holes for attaching various supports are arranged in a tidy manner.

Thanks to the ability to be combined with various on-site attachment pieces, the aggregate lifting table is the most convenient workshop assistant.

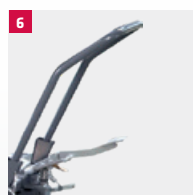
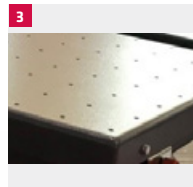


The flat, compact design allows free positioning under the vehicle.

Universally applicable - also perfectly usable as a workbench.

Easy handling - large, 360° rotating castors. Easy to maneuver with load.

## HIGHLIGHTS IN DETAIL



**1** The table top is divided 60:40, the smaller part is extendable by 100 mm.

**2** The top can be tilted in longitudinal and transverse direction by +/- 3.5°.

**3** Table top with 104 threaded holes for easy mounting of tools and holders (hole pattern 100 mm x 100 mm, M10).

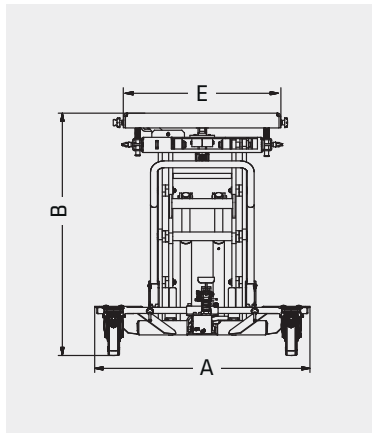
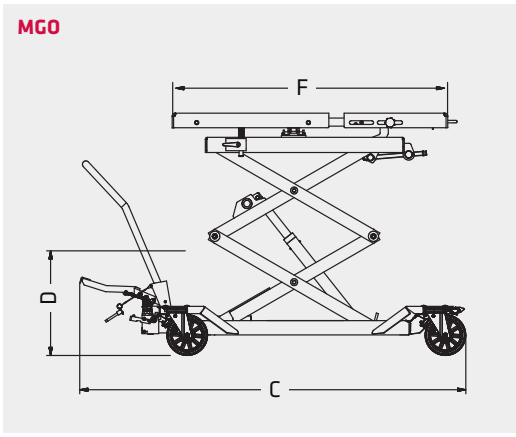
**4** Large, 360° rotating castors for easy maneuvering even with load. The front castors are equipped with parking brakes, the rear castors can be locked for directional stability.

**5** The hydraulic foot pump allows a quick lift and reduces the required pedal force under load.

The lowering brake valve allows precise, infinitely variable lowering.

**6** For better accessibility the traversing bar can be easily removed.

MGO



Model	MGO
Capacity	1 t
Stroke	1320 mm
<b>F</b> Usable Table length max.	1300-1400 mm
<b>E</b> Usable table width max.	768 mm
<b>C</b> Length	1879 mm
<b>A</b> Width	1055 mm
<b>D</b> Height	590 mm
<b>B</b> Height max.	1826 mm
Weight	360 kg

# SPECIFICATIONS

## SIMILAR PRODUCTS



Master Gear S3 1.0

Technical changes reserved. Data are considered advertisement.  
Gearbox-Lifting table MGO-BR-127518-en-2019-01