

# 2-POST LIFT

## ELECTRO-HYDRAULIC

The electro-hydraulic 2-post lifts of the SPO65 series convince with an outstanding pick-up area, they are particularly suitable for van workplaces. There are 2 different post heights to choose from.

**+ SPO series - the best-selling lift in the world**  
**+ Maximum security with the Rotary 3PSS concept**  
**+ Pick-up range from vans, emergency vehicles and motor homes**

Flanged to the upper part of the lifting column, the unit is protected from external influences and allows more freedom of movement.

The upper safety switch-off effectively protects vehicles with a higher overall height from damage during lifting.

The electro-hydraulic design with only one unit ensures energy-saving operation with fast lifting and lowering times.

Rotary Hydraulic stands for maximum service-friendliness with minimum operating costs.

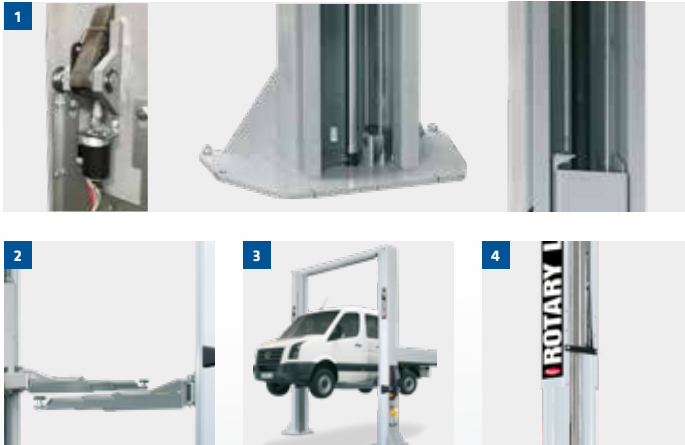
The support arms are automatically locked when lifting. Once the platform is completely lowered, this locking device is released automatically. The particularly fine grid and a manual unlocking function extend the ease of operation.

For a plus in ergonomics and economy, the 2nd control panel is standard on the SPO55. One control unit is equipped with a 220 V connection (fused with 16 ampere for electric hand tools) and the second with compressed air preparation.

The rotating plates are pluggable and can be extended or replaced with attachments in a stable and cost-effective manner..

Illustration shows SPO65E with optional accessories.

## HIGHLIGHTS IN DETAIL



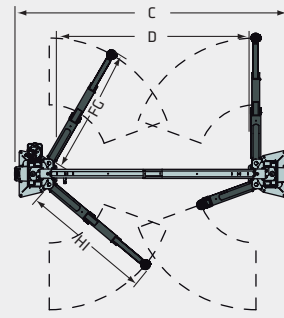
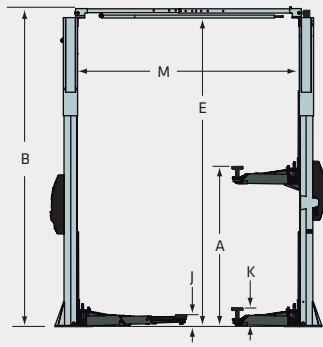
- 1** The 3PSS Concept (3 Phase Security System) includes:
- Mechanical safety latches integrated on both sides with automatic actuation
  - Load-free synchronization pulleys secure the load during the lifting and lowering process
  - Hydraulic system secured by non-return valve including maintenance-free high-pressure cylinder in both posts.

**2** The particularly generously dimensioned support arms allow the safe pick-up of heavy transporters, emergency vehicles and motor homes.

**3** The maximum drive-through width with minimum external dimensions and the construction without a base frame ensure problem-free access to the lifting platform.

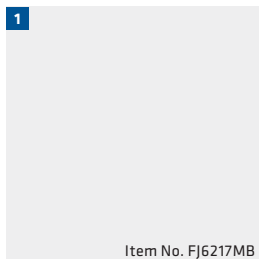
**4** The double S-profile of the lifting posts enables maximum stability with minimum space requirement. The contact area of the lifting carriages guided in the lifting posts is significantly increased too.

## SPO65E



Model	SPO65E-LBW	SPO65E-EH2-LWB
Load capacity	6.500 kg	6.500 kg
<b>A</b> Stroke	2.000 mm	2.000 mm
<b>B</b> Overall height	4.570-5.028 mm	4.976-5.432 mm
<b>C</b> Overall width	3.937 mm	3.937 mm
<b>D</b> Clear span between	2.687 mm	2.687 mm
<b>E</b> Switchoff level	4.419-4.875 mm	4.791-5.247 mm
<b>F</b> Support bracket length on the front min.	935 mm	935 mm
<b>G</b> Support bracket length on the front max.	1.901 mm	1.900 mm
<b>H</b> Support bracket length on the rear min.	935 mm	935 mm
<b>I</b> Support bracket length on the rear max.	1.901 mm	1.901 mm
<b>J</b> Rotary plate height min.	135 mm	135 mm
<b>K</b> Rotary plate height max.	163 mm	163 mm
<b>M</b> Cylinder height at max. stroke	3.058 mm	3.071 mm
Driving power	3 kW	3 kW
Power supply voltage (electrical)	230/400 V, 50 Hz	230/400 V, 50 Hz
Lifting time	ca. 60 sec.	ca. 60 sec.
Required ceiling height STD	4.740-5.200 mm	5.600 mm
Weight	1.700 kg	1.700 kg

## ACCESSORIES



- 1 Turntable Set SPO65 (4 pieces)
- 2 Rotary Plate (1 piece)
- 3 Pick-up kit for Crafter/Sprinter front mandrel, 2 x for Sprinter/Crafter with reducers, front
- 4 Pick-up kit for Crafter/Sprinter semicircular, 2 x for Sprinter/Crafter, semicircular for rear, incl. reducers
- 5 Storage tray for tools, magnetic