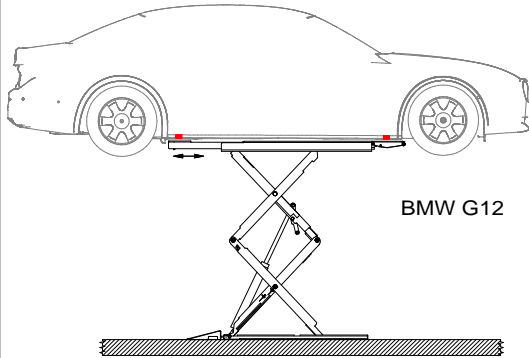
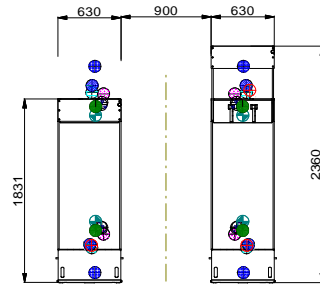
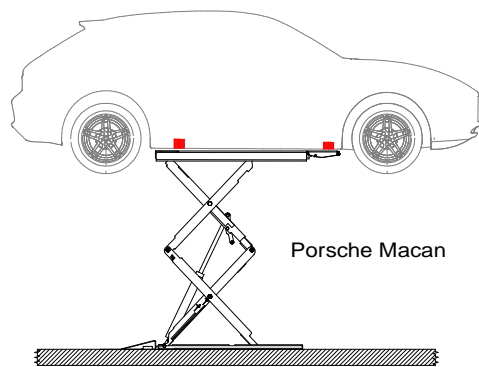


Mini



BMW G12



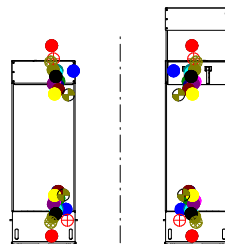
Porsche Macan

- BMW**
- ⊕ ES2 Z8
 - ⊕ E39 Ser BMW
 - ⊕ Z1
 - ⊕ Mini Cooper
 - ⊕ E65 7er BMW
 - ⊕ 3er BMW
 - ⊕ RR01
 - ⊕ Z4
 - ⊕ BMW 750i (Typ E3B)

- VW**
- ⊕ Tauran
 - ⊕ Pheatan
 - ⊕ Touareg/Cayenne
 - ⊕ VW T4 kurz
 - ⊕ VW T5 kurz
 - ⊕ Seat Leon / Altea
 - ⊕ Seat Toledo

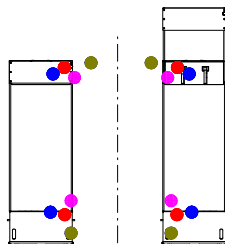
- AUDI**
- ⊕ AB lang
 - ⊕ AUDI RB
 - ⊕ AUDI Q5
 - ⊕ AUDI A5
 - ⊕ AUDI Q7
 - ⊕ A2
 - ⊕ A3 2004>
 - ⊕ Audi TT

- Mercedes**
- ⊕ G-Modell
 - ⊕ B-Klasse
 - ⊕ M-Klasse
 - ⊕ SLK
 - ⊕ E-Klasse
 - ⊕ R-Klasse
 - ⊕ CLK
 - ⊕ Vito
 - ⊕ S-Klasse lang



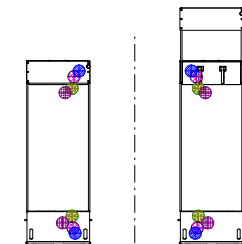
Toyota

- Cressida
- Yaris (2000)
- Land Cruiser (GX-R)
- RAV 4
- Corolla 1988-1991
- Echo (2000)
- Hiace (short)
- Yaris
- MX-81/MX-83 1989-1992
- Crown 1996-1999
- Corolla ab 2004
- XA seit 2004
- ⊕ Avensis
- ⊕ Camry
- ⊕ Landcruiser 3



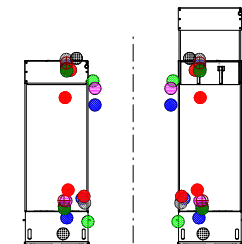
Ford

- Ford Fiesta
- Ford Mandoa
- Ford Explorer X
- Ford Maverik X



OPEL

- Opel Agila
- ⊕ Opel Corsa
- ⊕ Opel Vectra Combi 2007
- ⊕ Opel Insignia



Porsche

- GT2
- ⊕ Boxster Typ 986
- 911 bis Modell B6 X
- 911 ab Modell 87
- 928 bis Modell B5
- Boxster // 911 Carrera (996)
- 4-Zylinder Baureihe X
- Cayenne
- 928 ab Modell B6
- 968 X
- 959

Kann nicht aufgenommen werden

				THIRD ANGLE PROJECTION		DS35EX	
				DO NOT SCALE DRAWING			
				UNLESS OTHERWISE NOTED: ANGULAR DIMENSIONS: +/- 1° OTHER DIMENSIONS: +/- 0.8mm (<305mm) +/- 1.6mm (>= 305mm)		UNLESS OTHERWISE SPECIFIED: 0.8mm MIN. CORNER BREAK REMOVE ALL BURRS	
				NOTES:			
				<p>Tragfähigkeit: max.3500kg capacity</p>			
The design and detail illustrated in this drawing is the property of Vehicle Service Group. It is being loaned with the expressed condition that it will not be duplicated or used except by permission and is subject to return upon request.				APPROVED	DATE	DRAWING NUMBER	
REV	CO NUM	DATE	BY		24.12.2016	DS35EX-HG_8541	

Alle Maße in Millimeter
all dimensions in millimeter
Maß- und Konstruktionsänderungen vorbehalten!
subject to alterations!