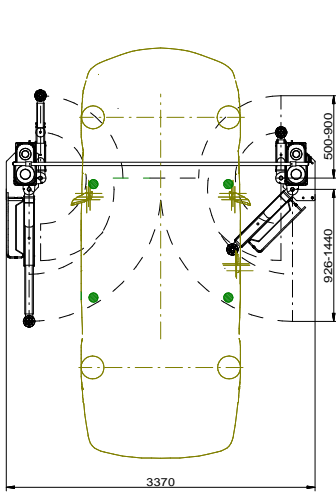
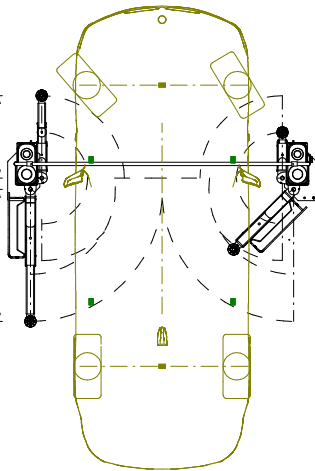


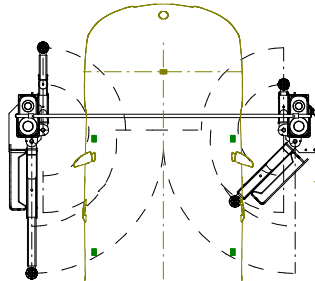
BMW E46 Touring (3er)



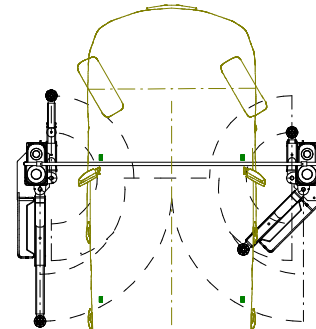
BMW F01 (7er)



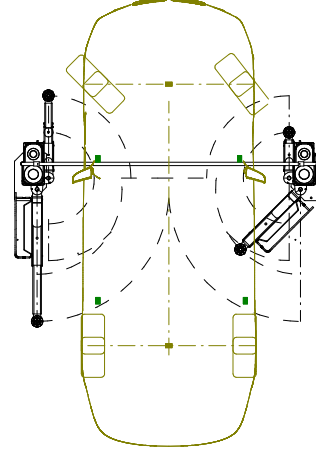
BMW E87 (1er)



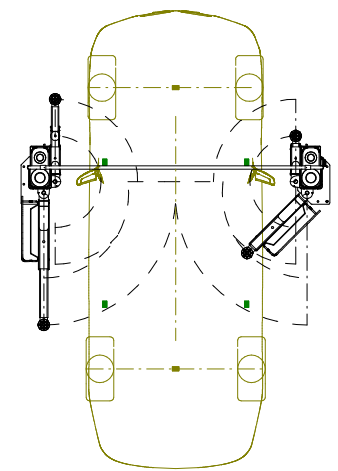
BMW E60 (5er)



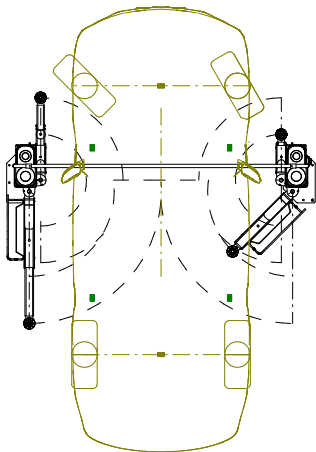
BMW F12 (6er)



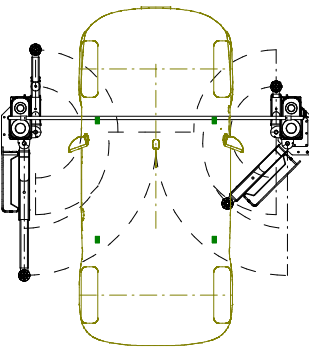
BMW F07 (5er GT)



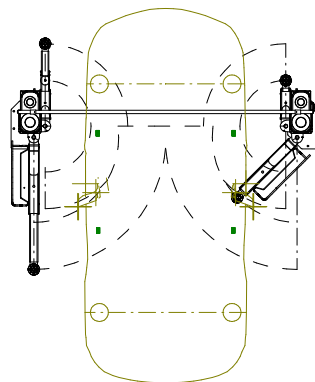
BMW E70 (X5)



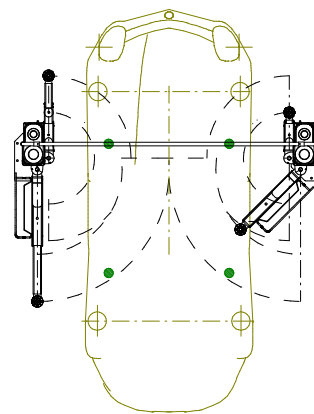
Mini R57



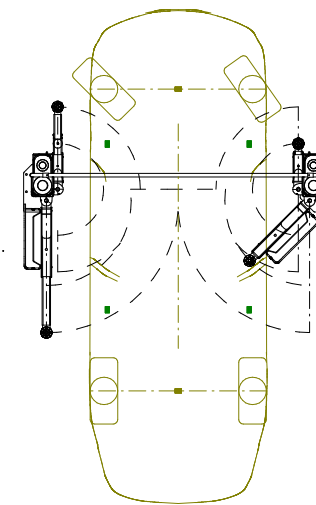
BMW Z4



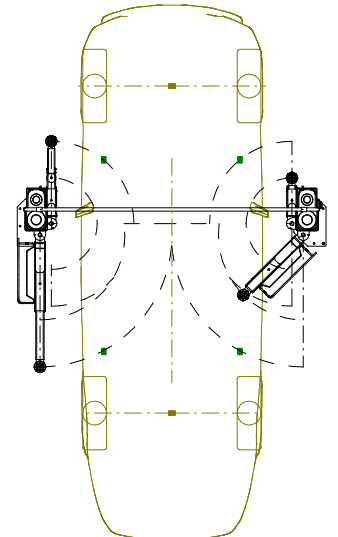
BMW E52 (Z8)



Rolls Royce 04



Rolls Royce 01



Alle Maße in Millimeter
all dimensions in millimeter

Mass- und Konstruktionsänderungen vorbehalten!
subject to alterations!

				THIRD ANGLE PROJECTION		SPMA32-SC / SPMA32C-SC* *beidseitige Bedienung, operation on both sides	
				UNLESS OTHERWISE NOTED: ANGULAR DIMENSIONS: 1° OTHER DIMENSIONS: ± 0.8mm (<305mm) ± 1.6mm (>or= 305mm)		DO NOT SCALE DRAWING UNLESS OTHERWISE SPECIFIED: 0.8mm MIN. CORNER BREAK REMOVE ALL BURRS	
				NOTES: Tragfähigkeit: max.3000kg capacity		ROTARY LIFT A DOVER COMPANY	
REV	CO NUM	DATE	BY	The design and detail illustrated in this drawing is the property of Rotary Lift. It is being loaned with the expressed condition that it will not be duplicated or used except by permission and is subject to return upon request.		DRAWN MG	DATE 15-08-18
						SHEET 2-Post-Lift-SPMA32-BMW-2018-8932	DRAWING NUMBER