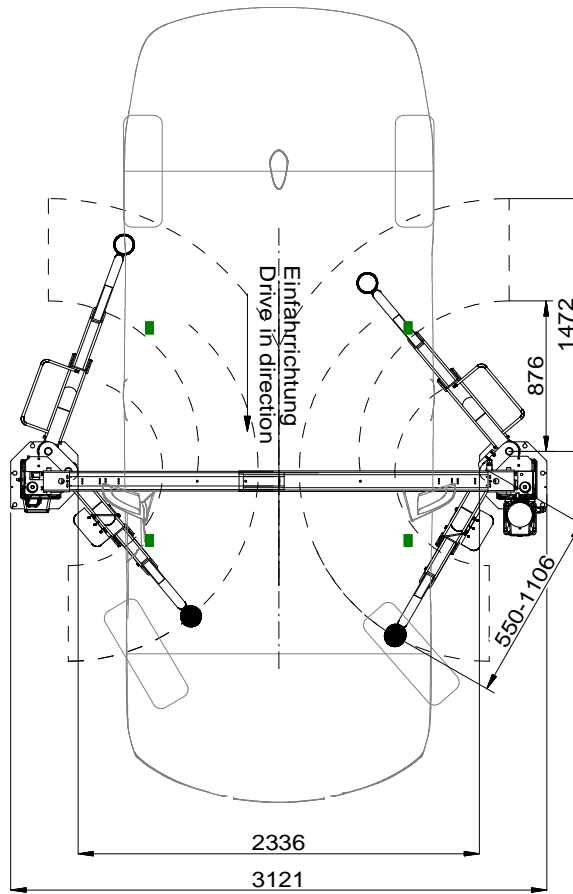
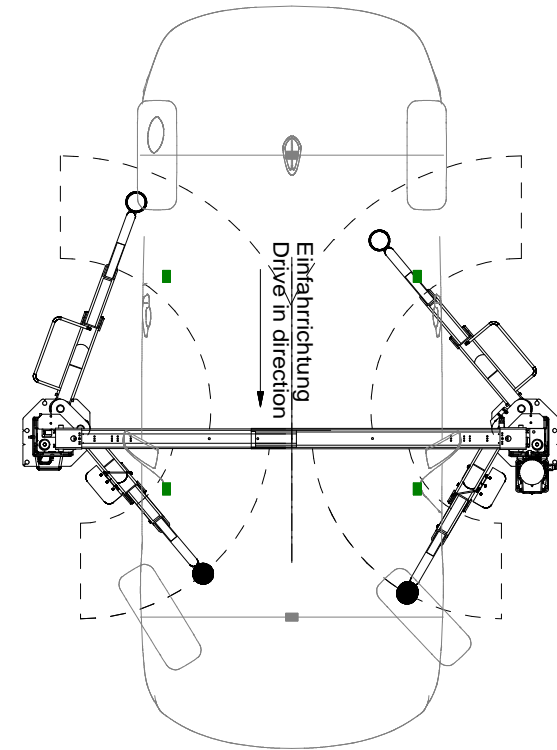


BMW G12



BMW F31 3er



BMW F21 1er

Alle Maße in Millimeter
all dimensions in millimeter

Mass- und Konstruktionsänderungen vorbehalten!
subject to alterations!

				UNLESS OTHERWISE NOTED: ANGULAR DIMENSIONS: 1° OTHER DIMENSIONS: ± 0.8mm (<305mm) ± 1.6mm (>or= 305mm)		THIRD ANGLE PROJECTION DO NOT SCALE DRAWING UNLESS OTHERWISE SPECIFIED: 0.8mm MIN. CORNER BREAK REMOVE ALL BURRS		SPOA3TS-5 ROTARY LIFT A DOVER COMPANY	
				NOTES: Tragfähigkeit: max.3500kg capacity					
				The design and detail illustrated in this drawing is the property of Rotary Lift. It is being loaned with the expressed condition that it will not be duplicated or used except by permission and is subject to return upon request.					
REV	CO NUM	DATE	BY	MG	SCALE	DATE	SHEET	DRAWING NUMBER	
						16-12-16		SPOA3TS-5_mit_BMW_1_3	