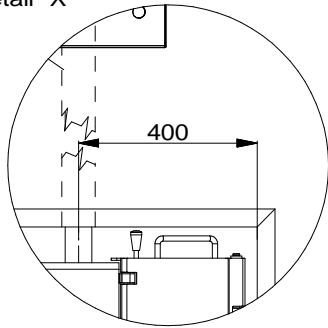
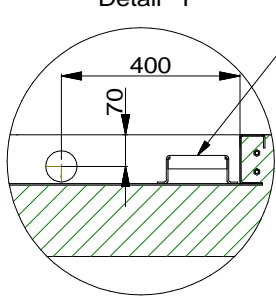


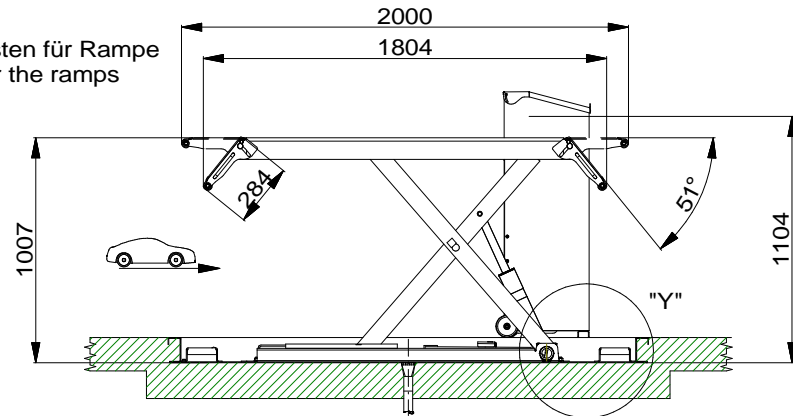
Detail "X"



Detail "Y"

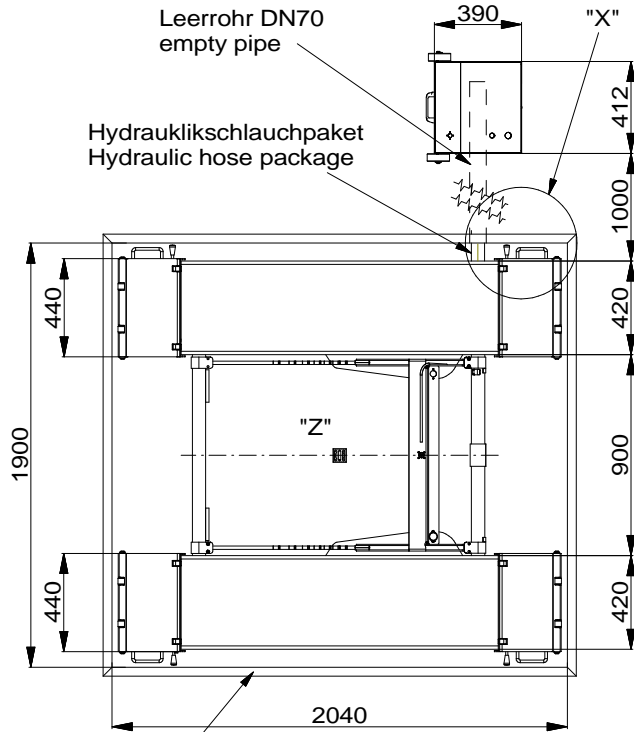


4x Abrollkasten für Rampe
4x boxes for the ramps



Leerrohr DN70
empty pipe

Hydraulikschlauchpaket
Hydraulic hose package



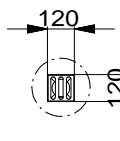
verlorene Schalung
formwork

Alle Maße in Millimeter
all dimensions in millimeter
Maß- und Konstruktionsänderungen vorbehalten!
subject to alterations!

Eigengewicht ca. 405 kg
own weight

Tragfähigkeit: max.3000kg
capacity

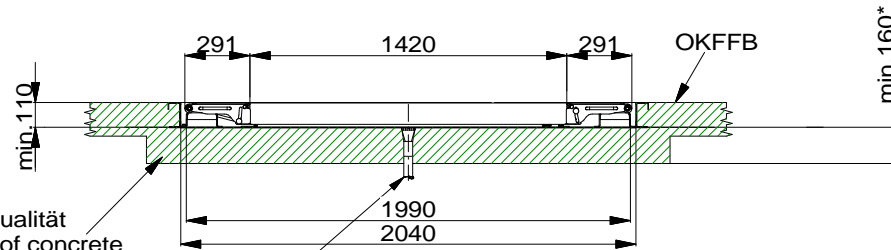
Detail "Z"



Betonqualität
quality of concrete
min.C20/25
normal bewehrt
normal armouring

Wasserabfluß empfohlen
Water outlet recommended

Optional:
Artikel-Nr. 820114
4x Abrollkasten für Rampen/boxes for the ramps
Artikel-Nr. 820115
4x Abrollkasten für Rampe + 1x verl. Schalung
boxes for the ramps + formwork



* min. 160 mm wenn die Hebebühne
verdübelt werden soll
min. 160 mm if the lift should be fixed

Bauseits am Bedienpult bereitstellen:
Netzanschluss: 3 PH,N+PE,400V,50Hz
Motorleistung: 2,2 kW
Absicherung: 16 Ampere träge
Kabellänge: ca.2 m, 5x2,5 mm²

Prepared by customer at the main operating unit:
power supply: 3 PH,N+PE,400V,50Hz
Motor power: 2,2 kW
fuse: 16 Ampere, time lag
cable diameter: 5 x 2,5 m² cable length: approx. 2m

				THIRD ANGLE PROJECTION		XS30 CAT Datenblatt mit verlorder Schalung Data sheet with formwork	
				DO NOT SCALE DRAWING		DRAWN MG	
				UNLESS OTHERWISE SPECIFIED: 0.8mm MIN. CORNER BREAK REMOVE ALL BURRS		DATE 08.02.2018	
				NOTES: UNLESS OTHERWISE NOTED: ANGULAR DIMENSIONS: +/- 1° OTHER DIMENSIONS: +/- 0.8mm (<305mm) +/- 1.6mm (>or= 305mm)		SHEET DRAWING NUMBER	
				The design and detail illustrated in this drawing is the property of Vehicle Service Group. It is being loaned with the expressed condition that it will not be duplicated or used except by permission and is subject to return upon request.		APPROVED Scissor-Lift_FP_XS30CAT_8832	
REV	CO NUM	DATE	BY				