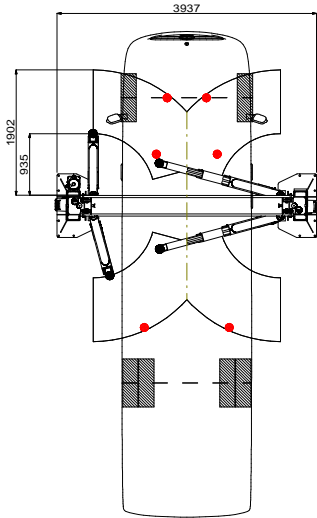
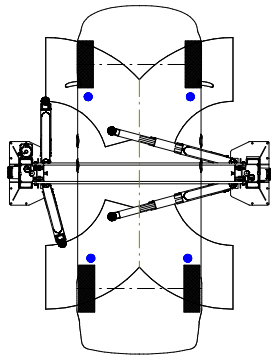


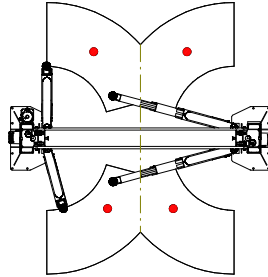
VW Crafter lang  
Stand:12-2013



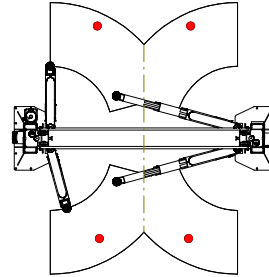
VW T5/T6



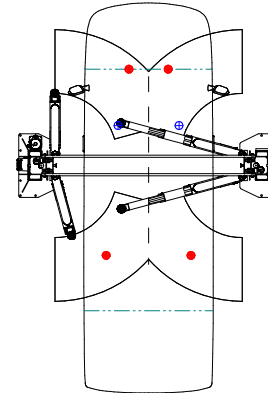
VW Crafter  
L3 Zwillig  
ab März 2017



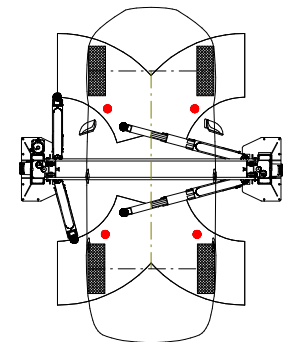
Crafter  
L4 F/Q + 4X4  
ab März 2017



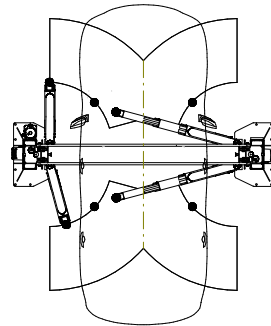
Sprinter Mittel



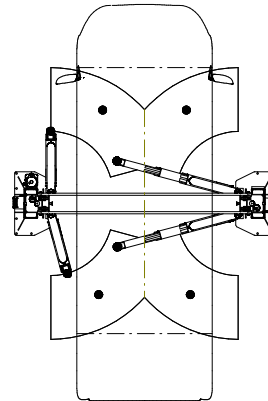
AUDI Q7



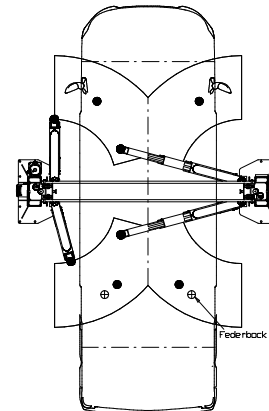
BMW X5



Peugeot Boxer lang

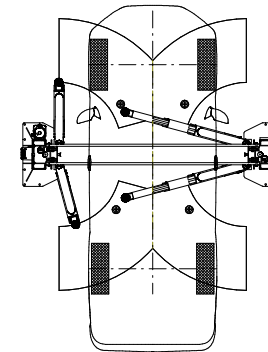


Renault Master

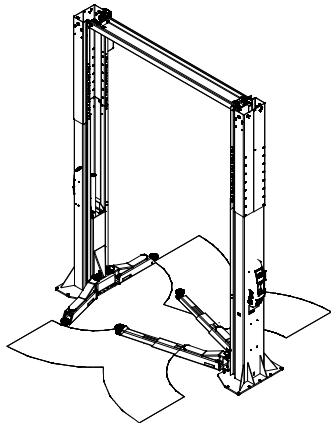
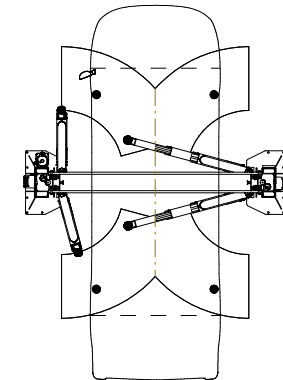


Renault Master  
langer Radstand

VW Amarok



Ford Transit



				UNLESS OTHERWISE NOTED: ANGULAR DIMENSIONS: ±1° - OTHER DIMENSIONS: ±0.8mm (<305mm) ±/- 1.6mm (>= 305mm)		THIRD ANGLE PROJECTION		SPO65E-LWB	
				NOTES:		DO NOT SCALE DRAWING		ROTARY LIFT A DOVER COMPANY	
						UNLESS OTHERWISE SPECIFIED: 0.8mm MIN. CORNER BREAK REMOVE ALL BURRS			
REV	CONUM	DATE	BY	The design and detail illustrated in this drawing is the property of Rotary Lift. It is being loaned with the expressed condition that it will not be duplicated or used except by permission and is subject to return upon request.		DRAWN MIGO	DATE 22.12.2016	SHEET 1	DRAWING NUMBER 2-Post-Lift_SPO65E-LWB_8680