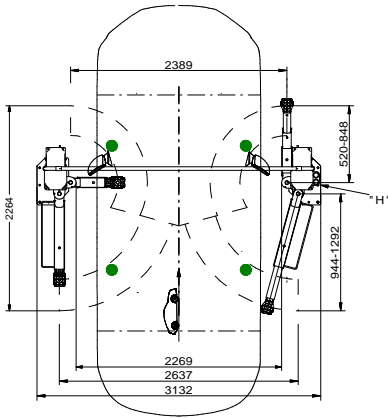
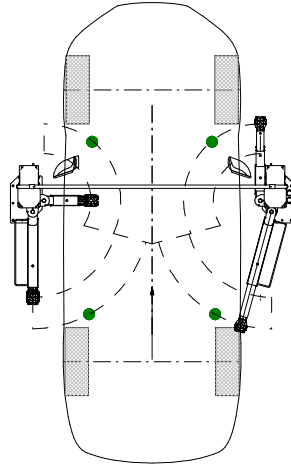


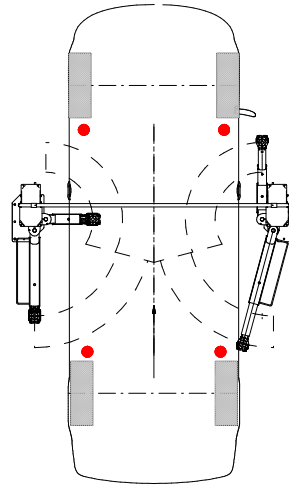
VW Tiguan



Audi Q7

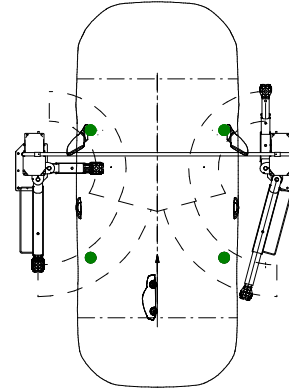


VWT5 lang

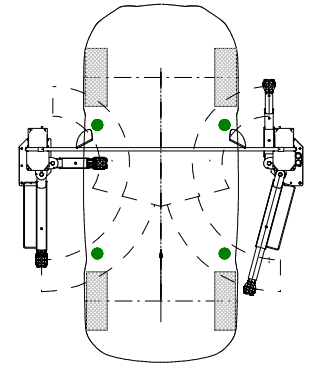


kann nicht aufgenommen werden
can not lifted up

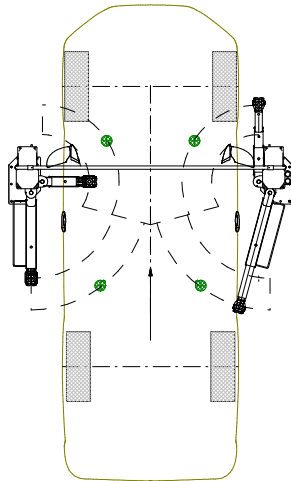
VW Golf



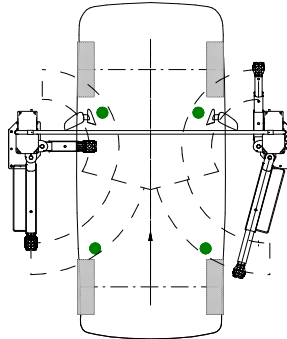
Audi A1



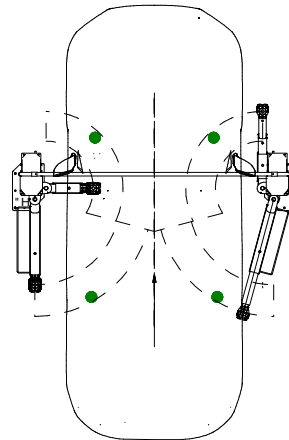
VW Amarok



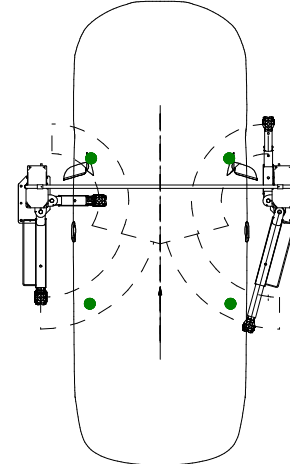
VW Polo



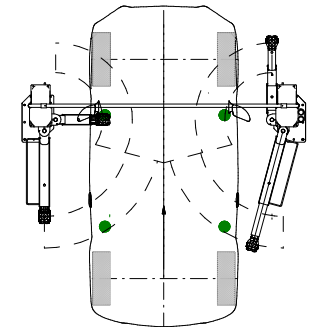
VW Touareg



Audi A8



VW UP



Tragfähigkeit: max. 3200kg
capacity

Alle Maße in Millimeter
all dimensions in millimeter
Maß- und Konstruktionsänderungen vorbehalten!
subject to alterations!

				THIRD ANGLE PROJECTION		SPMA32FF	
				UNLESS OTHERWISE NOTED: ANGULAR DIMENSIONS: +/1 OTHER DIMENSIONS: +/- 0.8mm (<305mm) +/- 1.6mm (>= 305mm)		DO NOT SCALE DRAWING UNLESS OTHERWISE SPECIFIED: 0.8mm MIN. CORNER BREAK REMOVE ALL SURFS.	
				NOTES:			
				The design and detail illustrated in this drawing is the property of Rotary Lift. It is being loaned with the expressed condition that it will not be duplicated or used except by permission and is subject to return upon request.			
REV	CO NUM	DATE	BY				
				APPROVED: MG		DATE: 11.12.2017	
				SHEET: 1 OF 1 DRAWING NUMBER: 2-Post-Lift-SPMA32FF_VW_8820			