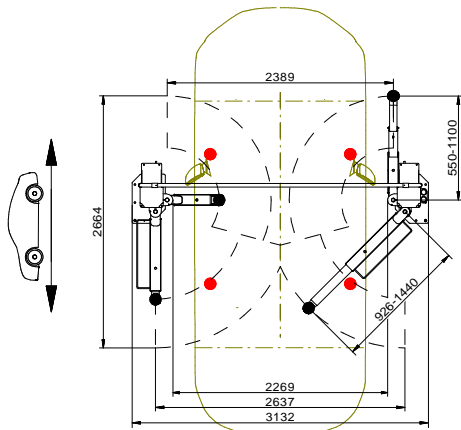
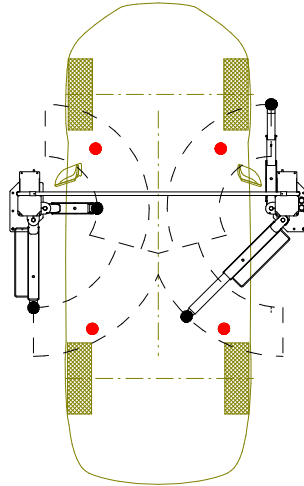


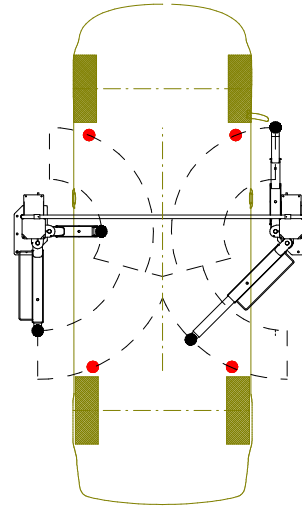
VW Tiguan



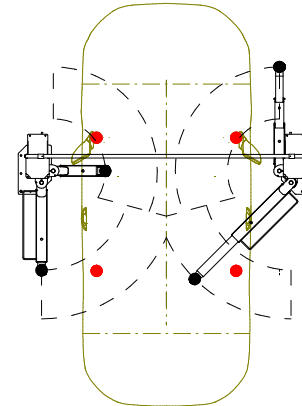
Audi Q7



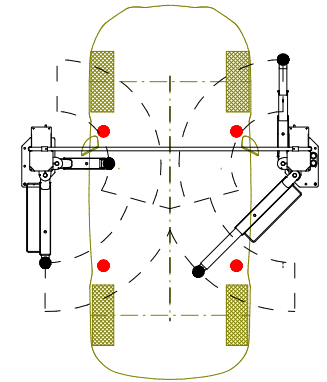
VWT5 lang



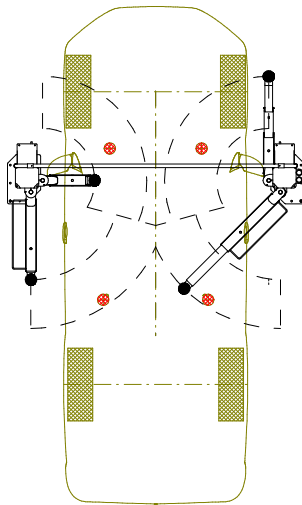
VW Golf



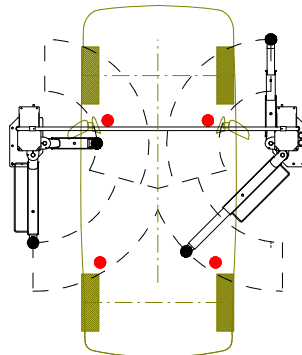
Audi A1



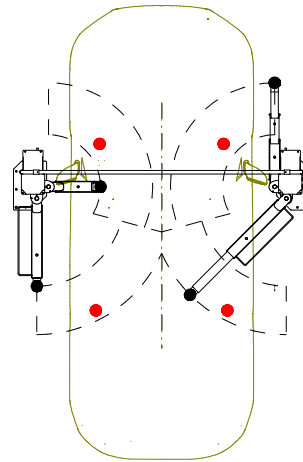
VW Amarok



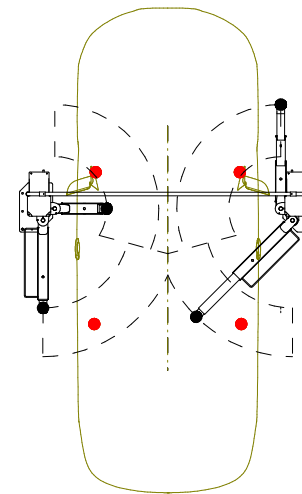
VW Polo



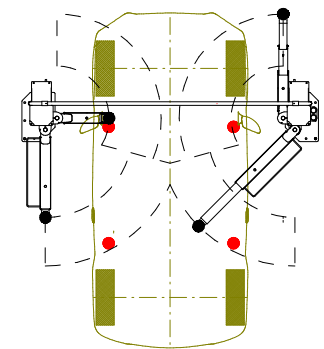
VW Touareg



Audi A8



VW UP



Tragfähigkeit: max. 3200kg
capacity

Alle Maße in Millimeter
all dimensions in millimeter
Maß- und Konstruktionsänderungen vorbehalten!
subject to alterations!

						UNLESS OTHERWISE NOTED: ANGULAR DIMENSIONS: +/- 1 OTHER DIMENSIONS: +/- 0.8mm (-0.305mm) +/- 1.6mm (+0/- 305mm)	THIRD ANGLE PROJECTION	DO NOT SCALE DRAWING UNLESS OTHERWISE SPECIFIED: 0.8mm MIN. CORNER BREAK REMOVE ALL BURRS	SPMA32
						NOTES:			
									DRAWN: MG DATE: 24.07.2017 SHEET: DRAWING NUMBER:
REV	CO NUM	DATE	BY			The design and detail illustrated in this drawing is the property of Rotary Lift. It is being loaned with the expressed condition that it will not be duplicated or used except by permission and is subject to return upon request.			2-Post-Lift-SPMA32_VW_8747