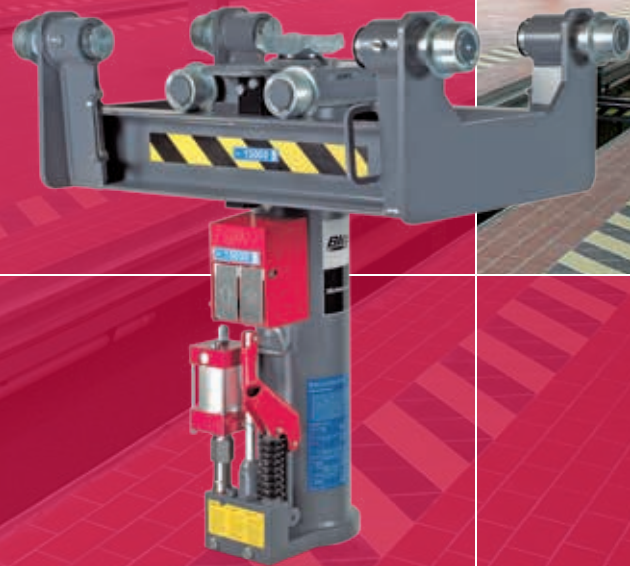
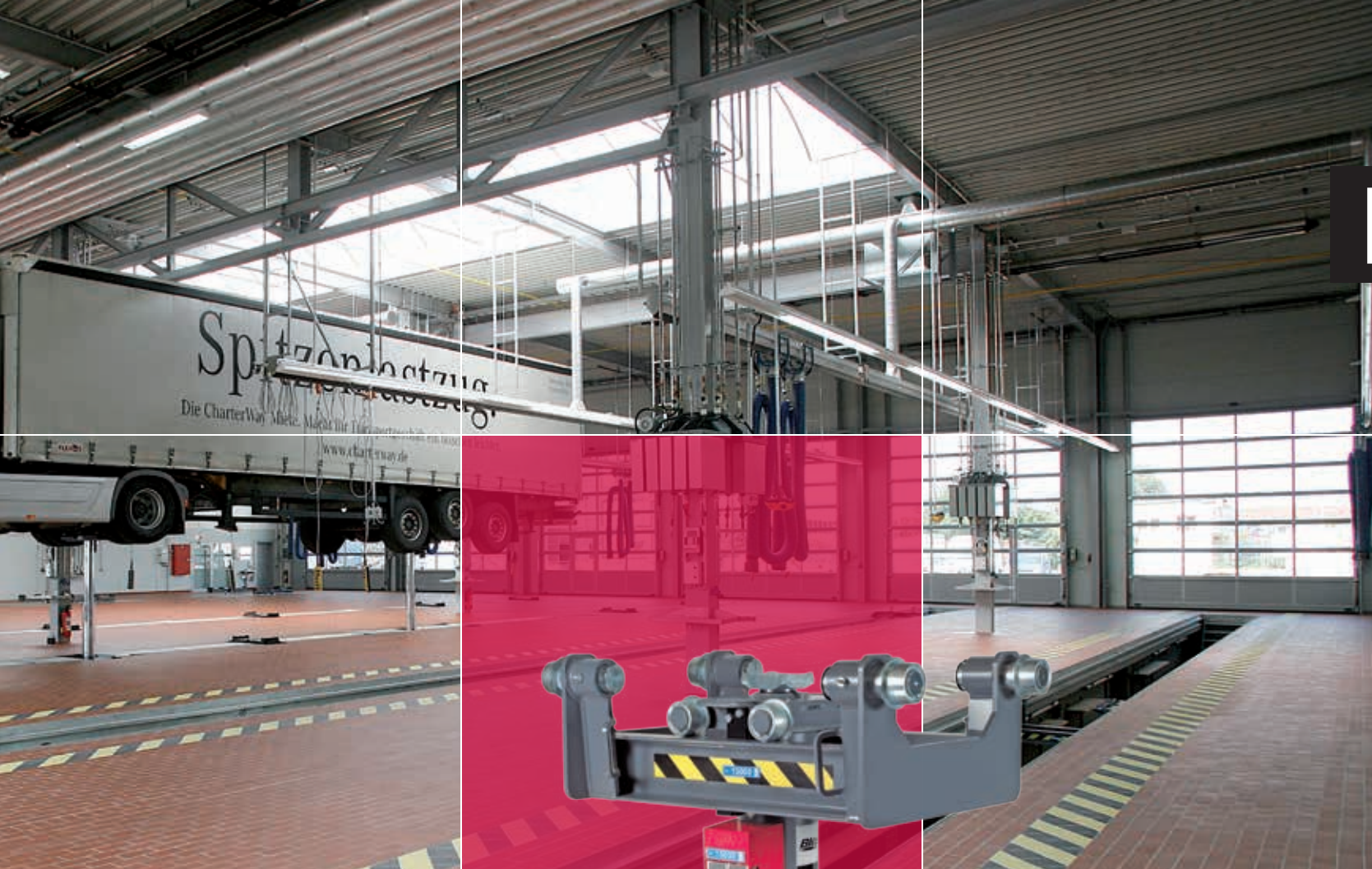


BLITZ PIT JACK

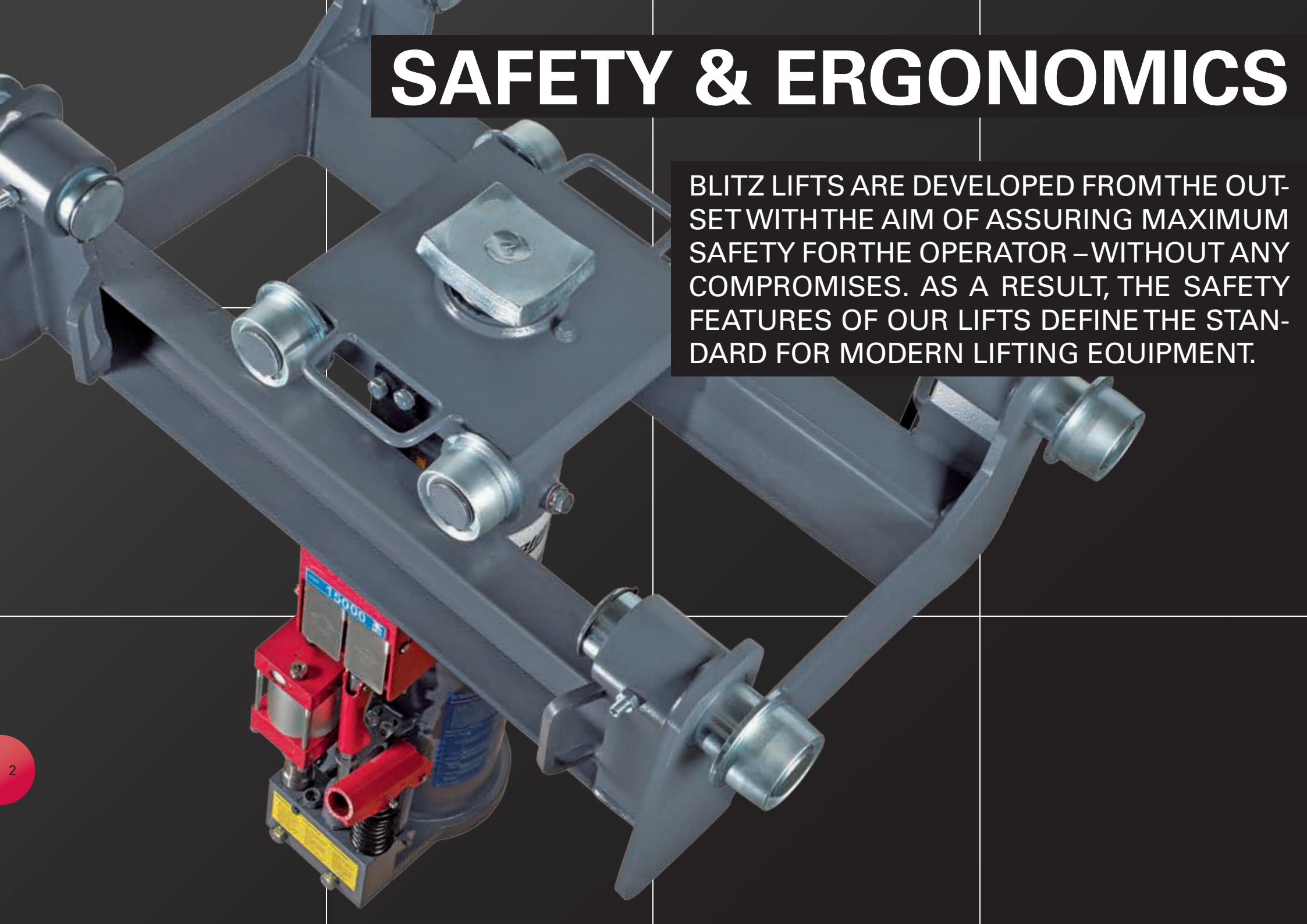
SUSPENDED



Blitz[®]

SAFETY & ERGONOMICS

BLITZ LIFTS ARE DEVELOPED FROM THE OUTSET WITH THE AIM OF ASSURING MAXIMUM SAFETY FOR THE OPERATOR – WITHOUT ANY COMPROMISES. AS A RESULT, THE SAFETY FEATURES OF OUR LIFTS DEFINE THE STANDARD FOR MODERN LIFTING EQUIPMENT.





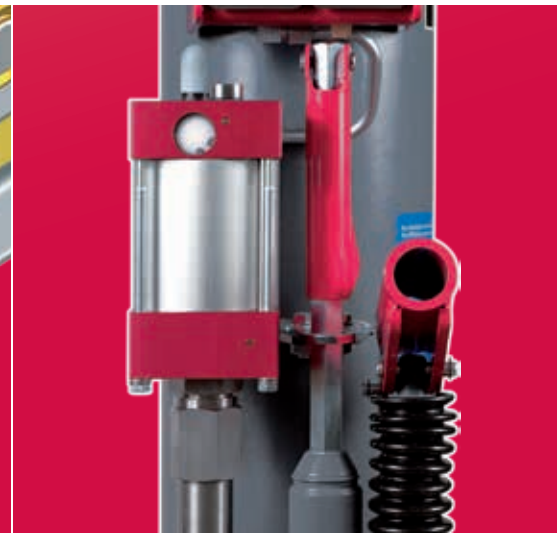
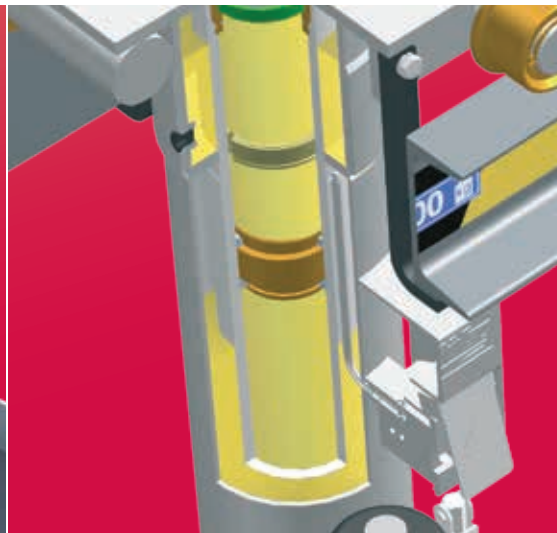
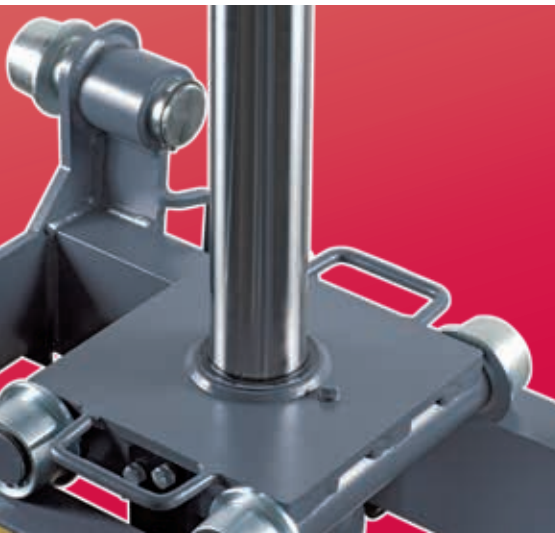
LARGE-AREA CONTROLS BLITZ suspended pit lifts are controlled via large controls, which are also easy to operate when wearing gloves.

SAFE DIMENSIONS The sturdy design of BLITZ lifts is reflected in the substantial diameters of the piston rods. They are thus able to withstand safely the external forces and bending moments to which they are subjected.

SAFE SEALS The seal between the piston rod and the pressure cylinder is applied via sleeves on internal sleeve supports. This prevents the sealing sleeves from being damaged in the event of the piston rod sustaining external damage. Pressure loss which would cause the lift to lower in an uncontrolled manner is thus avoided.

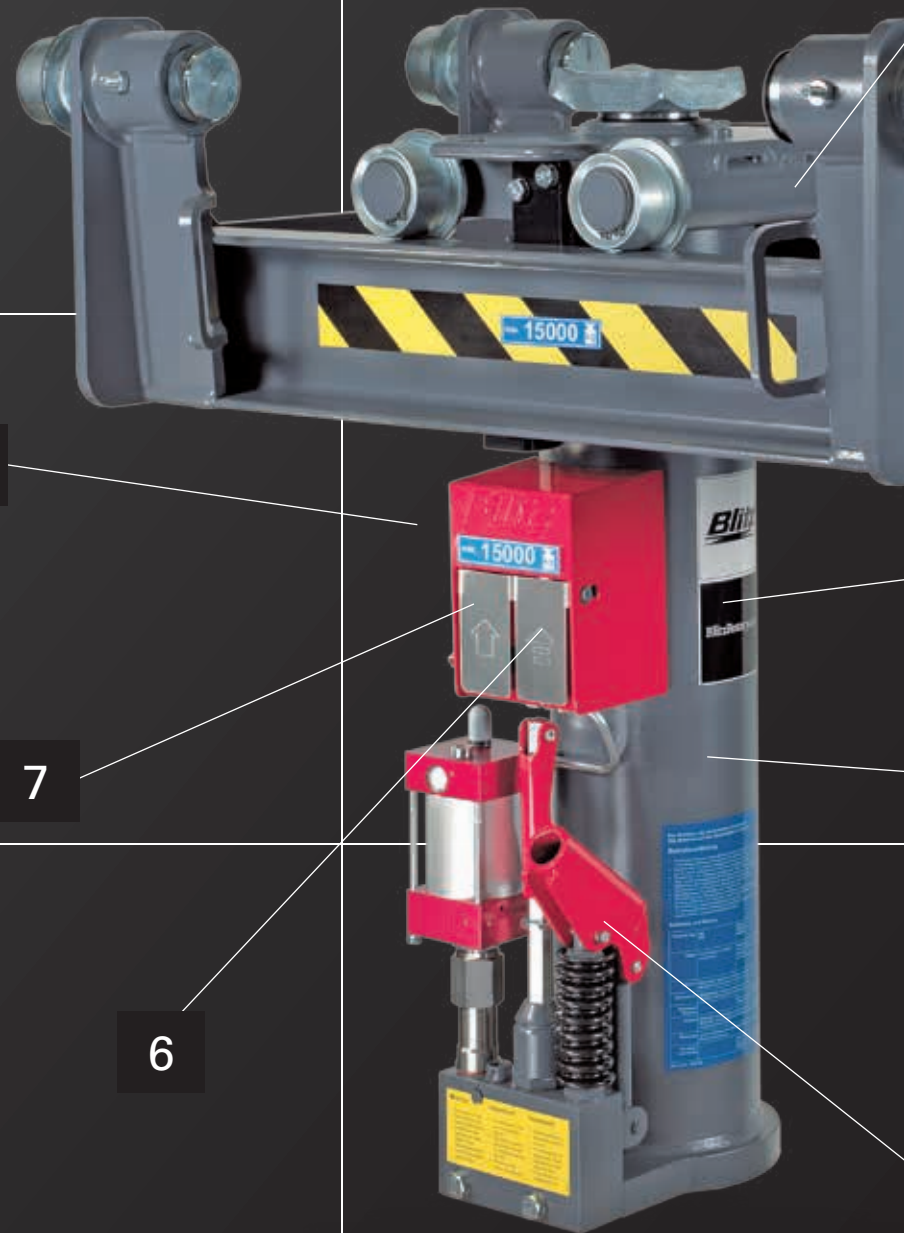
SAFE CONNECTIONS On the BLITZ design, all oil-carrying assemblies are flanged directly onto the lift. Components that are prone to wearing, such as hose connections etc., are thus avoided altogether. Incidentally, this arrangement allows maximum clearance between the lift and the walls of the pit.

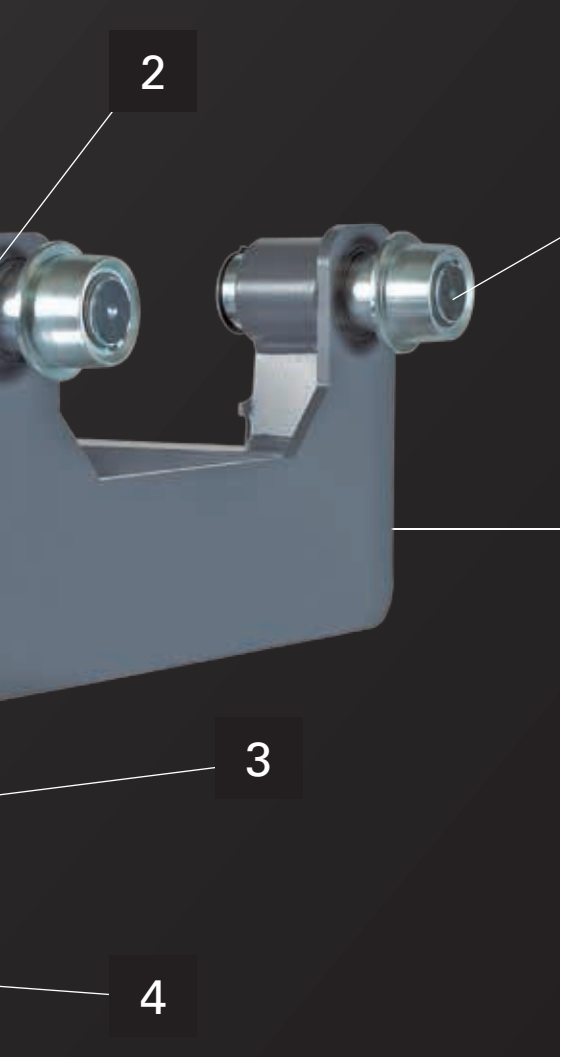
ERGONOMIC COLOUR CONCEPT We at Blitz are seeing red, at least when it comes to operating our pit jack. All controls are colour-coded red and thus effectively eliminate operator errors.



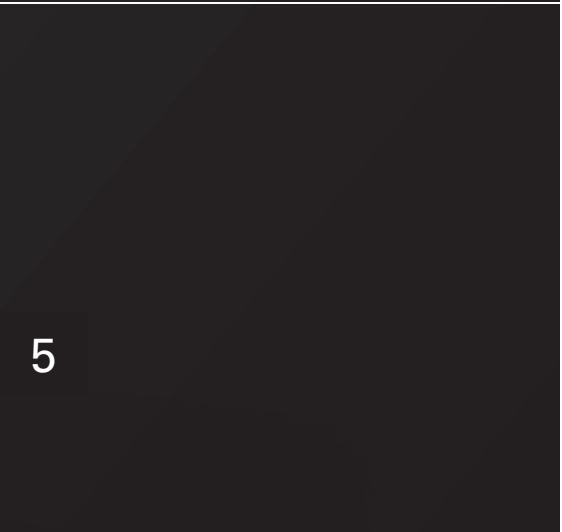
FEATURES

THERE ARE OVER 100 DIFFERENT STANDARD VERSIONS OF BLITZ SUSPENDED PIT LIFTS. THE LARGE NUMBER OF DIFFERENT EQUIPMENT VERSIONS MAKES THE CHOICE OF A BLITZ LIFT AN EASY ONE. THE UNIVERSAL DESIGN OF THESE LIFTS MEANS THAT THEY CAN BE USED IN ALL CONVENTIONAL PIT PROFILES. THERE ARE IN ADDITION VARIOUS CARRIAGE VERSIONS FOR MATCHING INDIVIDUALLY TO THE PIT.





■ **1. SMOOTH RUNNING** The standard needle roller bearings on the carriage rollers permit effortless sliding of the lift inside the pit. ■ **2. DURABILITY** Both the piston rod and the pump piston are hard-chrome plated, for protection against corrosion and wear. ■ **3. FULLY HYDRAULIC LIFTING UNIT** Thanks to the patented BLITZ corrosion prevention system, during every lifting and lowering movement the cylinder is submerged in oil on either side of the sealing sleeve. This means that both the piston rod and the cylinder are constantly in an oil bath, effectively protecting the cylinder walls against corrosion. ■ **4. TIME-SAVING (I)** The hydro-pneumatic quick lift rapidly moves the piston rod to the lifting point. ■ **5. PRECISION** The stepless fine-adjustment stroke permits the pit lift to be positioned accurately at the vehicle. Important for responsive lifting and when offering up assemblies. ■ **6. Time-saving (II)** The hydro-pneumatic forced return rapidly retracts the piston even when off-load. Unlike conventional pit lifts, the piston is in effect “pulled” back into its rest position. ■ **7. Minimum effort** The load stroke of the pneumatic motor enables the load to be lifted at the push of a button – without any physical effort. ■ **8. ERGONOMICS** To allow maximum freedom for movement in the pit, the operating elements are flanged onto the front. Large-area controls permit responsive operation even when wearing gloves.



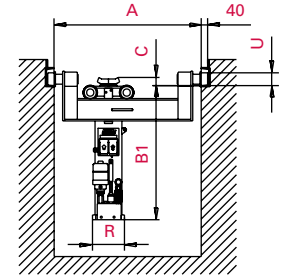
PRACTICAL USE OF PRACTICAL EXPERIENCE The opinion of our customers is important to us. Ideas and product details have therefore been discussed during our Leaduser Workshops.



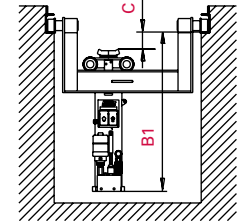
PLUNGER

GH	2 HAND PUMPS (FROM 10T)
GHS	2 HAND PUMPS (FROM 10T), QUICK LIFT
GHUS	2 HAND PUMPS (FROM 10T), QUICK LIFT, FORCED RETURN
GHSP	AIR MOTOR, QUICK LIFT, 1 HAND PUMP
GHUSP	AIR MOTOR, QUICK LIFT, 1 HAND PUMP, FORCED RETURN
GHUSE	ELECTRO-HYDRAULIC, QUICK LIFT, 1 HAND PUMP, FORCED RETURN

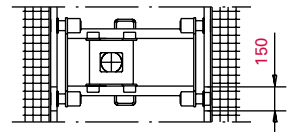
		4	6	10	15	16	20	30
	LOAD CAPACITY	4,5T	6,5T	11 T	15,5T	17,5T	22 T	33 T
	MOUNTING HOLE DIAMETER	55 MM	55 MM	55 MM	55 MM	80 MM	80 MM	80 MM
R		180 MM	180 MM	180 MM	200 MM	240 MM	240 MM	240 MM
U		80 MM	80 MM	80 MM	80 MM	95 MM	95 MM	95 MM
	RISE	600 MM	600 MM	600 MM	600 MM	600 MM	600 MM	600 MM
	WEIGHT	182 KG	182 KG	182 KG	210 KG	280 KG	280 KG	280 KG
B1¹	CARRIAGE STANDARD	838 MM	838 MM	838 MM	838 MM	856 MM	856 MM	836 MM
C		51 MM	51 MM	51 MM	51 MM	86 MM	86 MM	106 MM
B1¹	CARRIAGE LOWERED	1026 MM	1026 MM	1026 MM	994 MM	1014 MM	1014 MM	-
C		-137 MM	-137 MM	-137 MM	-107 MM	-72 MM	-72 MM	-
	L							
	RISE	800 MM	800 MM	800 MM	800 MM	800 MM	800 MM	800 MM
	WEIGHT	202 KG	202 KG	202 KG	227 KG	310 KG	310 KG	310 KG
B1¹	CARRIAGE STANDARD	1038 MM	1038 MM	1038 MM	1038 MM	1056 MM	1056 MM	1056 MM
C		51 MM	51 MM	51 MM	51 MM	86 MM	86 MM	106 MM
B1¹	CARRIAGE LOWERED	1226 MM	1226 MM	1226 MM	1194 MM	1214 MM	1214 MM	1250 MM
C		-137 MM	-137 MM	-137 MM	-107 MM	-72 MM	-72 MM	-95 MM
	CARRIAGE VERSIONS (FOR L-TYPE PROFILE)							
A	TYP V1	830-920 MM	830-920 MM	830-920 MM	830-920 MM	830-920 MM	830-920 MM	²
A	TYP V2	920-1010 MM	920-1010 MM	920-1010 MM	920-1010 MM	920-1010 MM	920-1010 MM	²
A	TYP V3	1010-1100 MM	1010-1100 MM	1010-1100 MM	1010-1100 MM	1010-1100 MM	1010-1100 MM	²



CARRIAGE
STANDARD



CARRIAGE
LOWERED



MOUNTING PORT FOR
PIT PROFILE

¹ Please add 30 mm ground clearance

² Made to Measure

TELESCOPIC

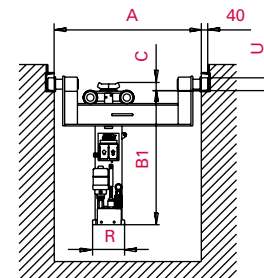
GHUS 2 HAND PUMPS (FROM 10T), QUICK LIFT, FORCED RETURN

GHUSP AIR MOTOR, QUICK LIFT, 1 HAND PUMP, FORCED RETURN

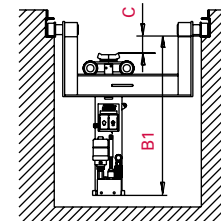
		10/4	15/6	15/15	20/15	15/15/15
	LOAD CAPACITY	11/4,5T	15,5/6,5T	15,5/15,5T	22/15,5T	15,5/15,5/15,5T
	MOUNTING HOLE DIAMETER	35 MM	35 MM	55 MM	55 MM	55 MM
R		180 MM	200 MM	240 MM	240 MM	360 MM
U		80 MM	80 MM	80 MM	95 MM	80 MM
	P					
	RISE	1100 MM	1100 MM	1200 MM	1200 MM	1300 MM
	WEIGHT	198 KG	230 KG	290 KG	290 KG	²
B1¹	CARRIAGE STANDARD	838 MM	838 MM	864 MM	865 MM	²
C		92 MM	94 MM	118 MM	125 MM	²
B1¹	CARRIAGE LOWERED	1026 MM	995 MM	1022 MM	1014 MM	²
C		-137 MM	-63 MM	-40 MM	-33 MM	²
	CARRIAGE VERSIONS (FOR L-TYPE PROFILE)					
A	TYP V1	830-920 MM	830-920 MM	830-920 MM	830-920 MM	²
A	TYP V2	920-1010 MM	920-1010 MM	920-1010 MM	920-1010 MM	²
A	TYP V3	1010-1100 MM	1010-1100 MM	1010-1100 MM	1010-1100 MM	²

¹ Please add 30 mm ground clearance

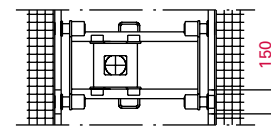
² Made to Measure



CARRIAGE
STANDARD



CARRIAGE
LOWERED



MOUNTING PORT FOR
PIT PROFILE

ERGONOMIC

- Ergonomic carriage
- Ergonomic colour concept
- Large-area controls

+10%

YOUR BENEFIT - Increased capacity

APPROVALS

- Approved by leading vehicle manufacturers

YOUR BENEFIT Tested by OEMs

MODULAR

- Wide range of products – the right jack for any application
- Modular system
- Widest choice of pick-up equipment & accessories on the market

YOUR BENEFIT - Increased capacity

QUICKER AVAILABILITY

- High level of in-house production – long term supply of spares
- Stable & reliable company (Dover Corporation)
- Trained sales representatives
- Made in Germany
- Expertise in the vehicle lift technology since 1925

YOUR BENEFIT Shorter down-times

LONG SERVICE LIFE

- Designed and tested for min. 30,000 lift cycles
- Solid design
- 2-layer surface finish

30.000+

YOUR BENEFIT Low overall running costs (TCO - Total Cost of Ownership)

Blitz®

BlitzRotary GmbH
Hüfänger Straße 55
D-78199 Bräunlingen
Telephone +49.771.9233.0
Telefax +49.771.9233.99
info@blitzrotary.com
www.blitzrotary.com

A **DOVER** COMPANY



BlitzRotary.com

