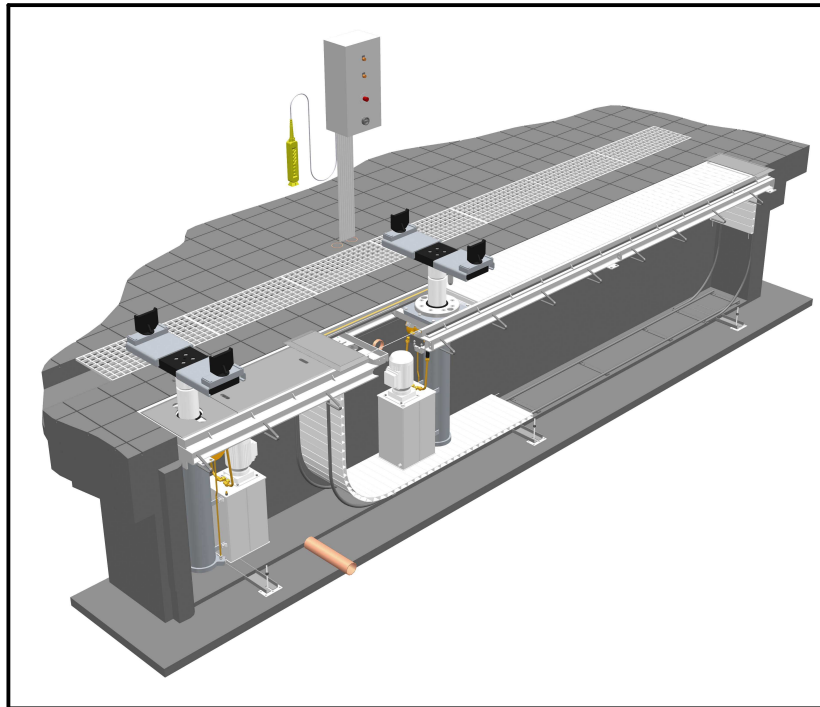
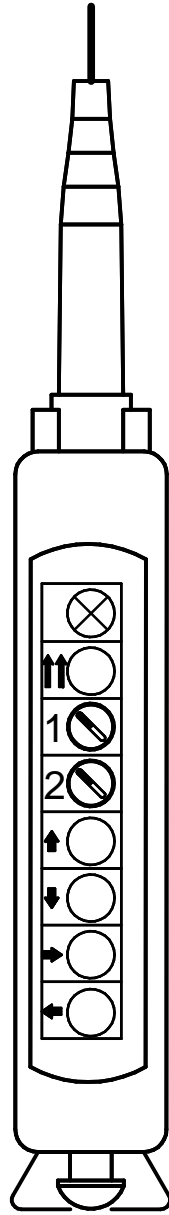


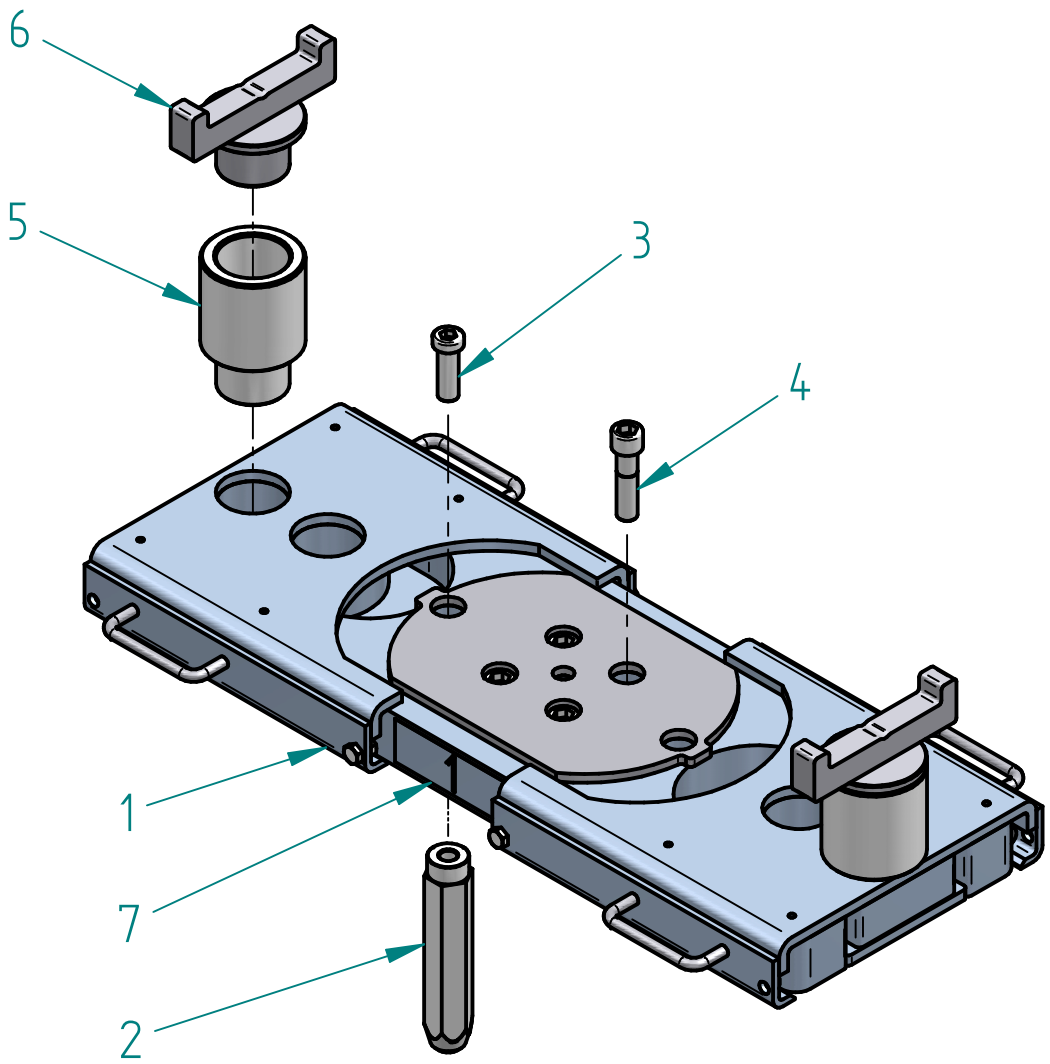
Parts Breakdown Duplex S2



Specifications		Duplex S2
stroke	mm	1900
Capacity / cylinders	kg	15.000
operating Pressure	bar	100
Set pressure relief valve	bar	110
Lifting time	s	85
Lowering time	s	52
Drive power per cylinder	w	3.000
Piston diameter	mm	180 / 150
Oil fill / cylinder	l	57
noise	db	70
Traverse height	mm	70
Traverse extract	mm	650 - 1.040
braking voltage	V	400
frequency	Hz	50
Maximum transit weight Flex Cover	kg	3.000
Maximum transit weight metal cover	kg	300



Pos.	Stk.		Bestell. Nr.
10	2	changeover sw itch	775108
20	5	press button	775102
30	1	emergency stop	775105
40	1	angle drive	775106
50	1	guard	775110
60	1	housing	775107
70	1	label "up"	3044784
80	1	label "dow n"	3044785
90	1	label "right"	3044786
100	1	label "left"	3044787
110	1	label "1"	3044788
120	1	label "2"	3044789
130	1	label	113278
140	7	terminal	100653
150	5	terminal	100654
160	1	lamp housing	113268
170	1	lamp	113270
180	1	cage	113267
190	1	clipper	114530
200	1	screw hook	114531



Pos.	Stk.		Bestell. Nr.
1	1	axle traverse	107445
2	1	locking device	3055034
3	1	screw	715305
4	4	screw	701041
5	2	spacer	3038651
6	2	bearing pressure	3036045
7	1	sticker "1"	111761
7	1	sticker "2"	111762
7	1	sticker "3"	111763
7	1	sticker "4"	111764
7	1	sticker "5"	111765
7	1	sticker "6"	111766

BlitzRotary GmbH
78199 Bräunlingen

Traverse Duplex

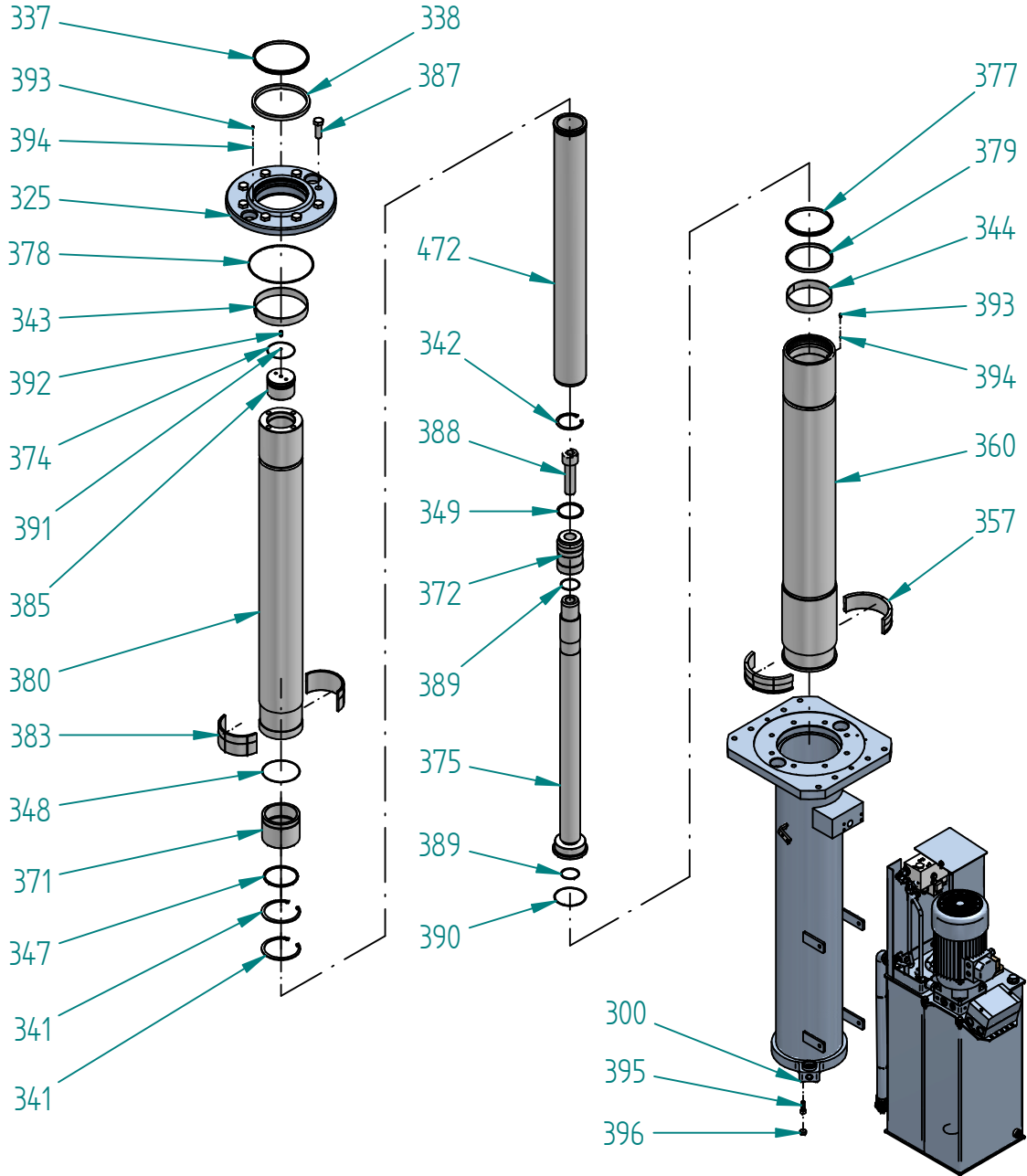
E13021208

jschmidt

Blatt 1

13/03/13

von 1



Pos.	Stk.		Bestell. Nr.
300	1	Piston unit	3055300
325	1	bead	3055325
337	1	Wiper ring	707950
338	1	Bar seal	707967
341	2	lock ring	704134
342	1	lock ring	704119
343	1	Special bushing	794104
344	1	Special bushing	794103
347	1	Bar seal	707847
348	1	O-ring	707642
349	1	Piston seal	707841
357	2	half ring	3055357
360	1	Pestle pipe	3055360
371	1	Piston	3055371
372	1	Piston	3055372
374	1	O-ring	707761
375	1	tube	3055375
377	1	Wiper ring	707939
378	1	O-ring	716508
379	1	Bar seal	707965
380	1	Pestle pipe	3055380
383	2	half ring	3055383
385	1	plug	3055385
387	8	Hexagon bolt	116076
388	1	Cylinder screw	3055388
389	2	O-ring	707739
390	1	O-ring	707767
391	1	Steel ball	707303
392	1	grub screw	3044388
393	2	grub screw	3036352
394	2	Steel ball	707315
395	6	cylinder screw	700856
396	6	screw plug	701606
472	1	tube	3055472
900	1	seal set complete	101060

BlitzRotary GmbH
78199 Bräunlingen

Hubeinheit 1 kpl. Duplex S2

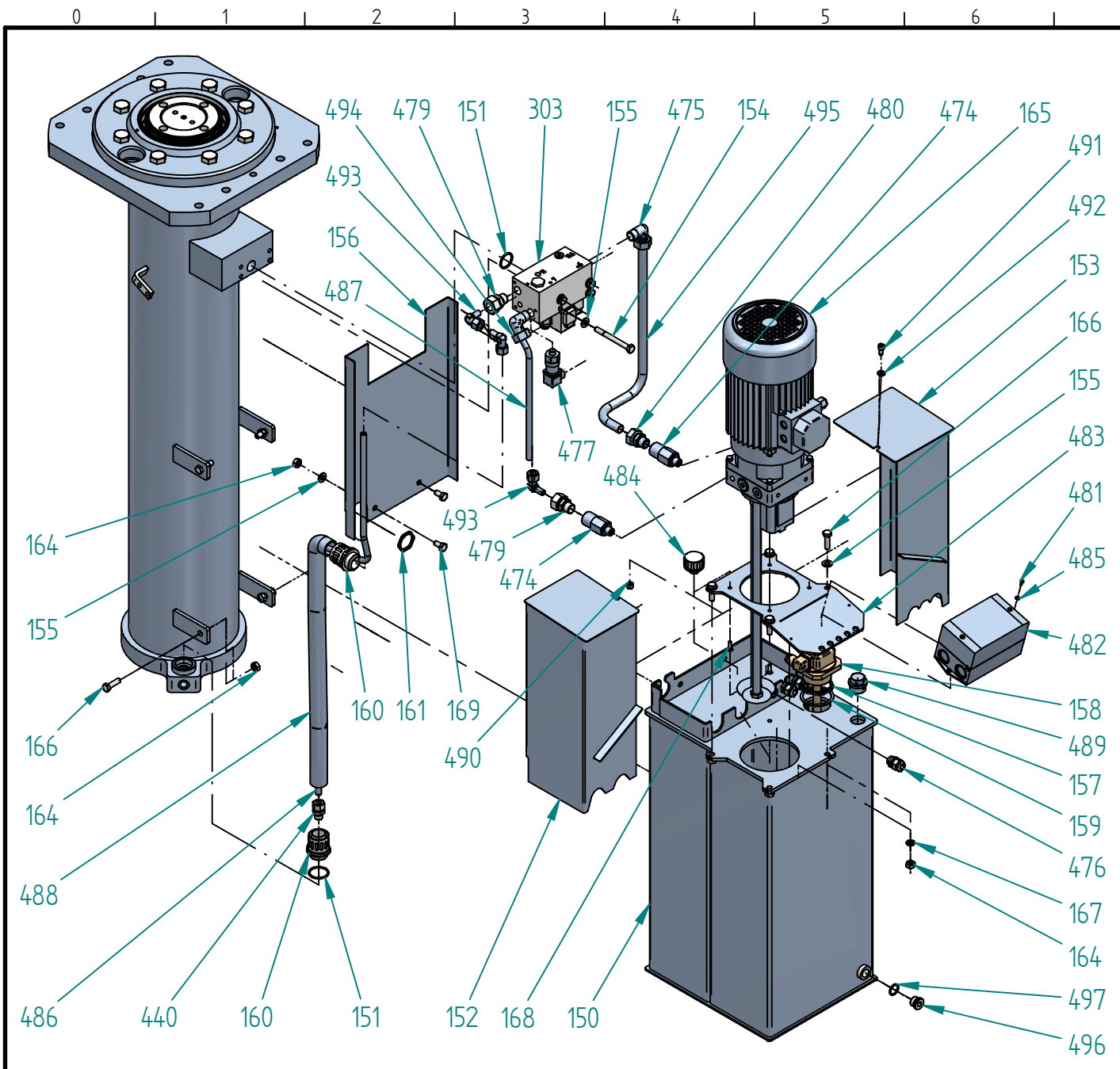
E11052010

jschmidt

Blatt 1

13/03/13

von 1



Pos.	Stk.		Bestell. Nr.
150	1	oil tank	110970
151	2	o-ring	707711
152	1	cover left	113273
153	1	cover right	113274
154	4	Hexagon bolt	700426
155	10	washer	703412
156	1	headwall	113563
157	1	nut	118902
158	1	sensor	113056
159	1	Seal ring	118903
160	2	hose coupling	113082
161	1	nut	761644
164	10	hexagonal nut	703103
165	1	power pack	757927
166	8	Hexagon bolt	700250
167	4	Spring washer	703514
168	4	flat hat screw	701703
169	2	Hexagon bolt	700026
303	1	valve body	113058
440	1	Ermeto coupling	752039
474	2	Extension	113103
475	1	Ermeto coupling	752057
476	3	cabl connection	762007
477	1	press switch	113057
479	2	Ermeto coupling	752084
480	1	Ermeto coupling	752054
481	2	screw	702012
482	1	box	116053
483	1	plate	113146
484	1	breather filter	708150
485	2	disc	703421
486	1	tube	114475
487	1	return line	114476
488	0,07m	plastic hose	113081
489	1	Oil filler plug	113895
490	1	screw plug	701602
491	1	cylinder screw	700822
492	1	washer	703411
493	3	Ermeto coupling	752139
494	1	Ermeto coupling	752112
495	1	tube	114474
496	1	screw plug	705530
497	1	Seal ring	706812

BlitzRotary GmbH
78199 Bräunlingen

Hubeinheit 2 kpl. Duplex S2

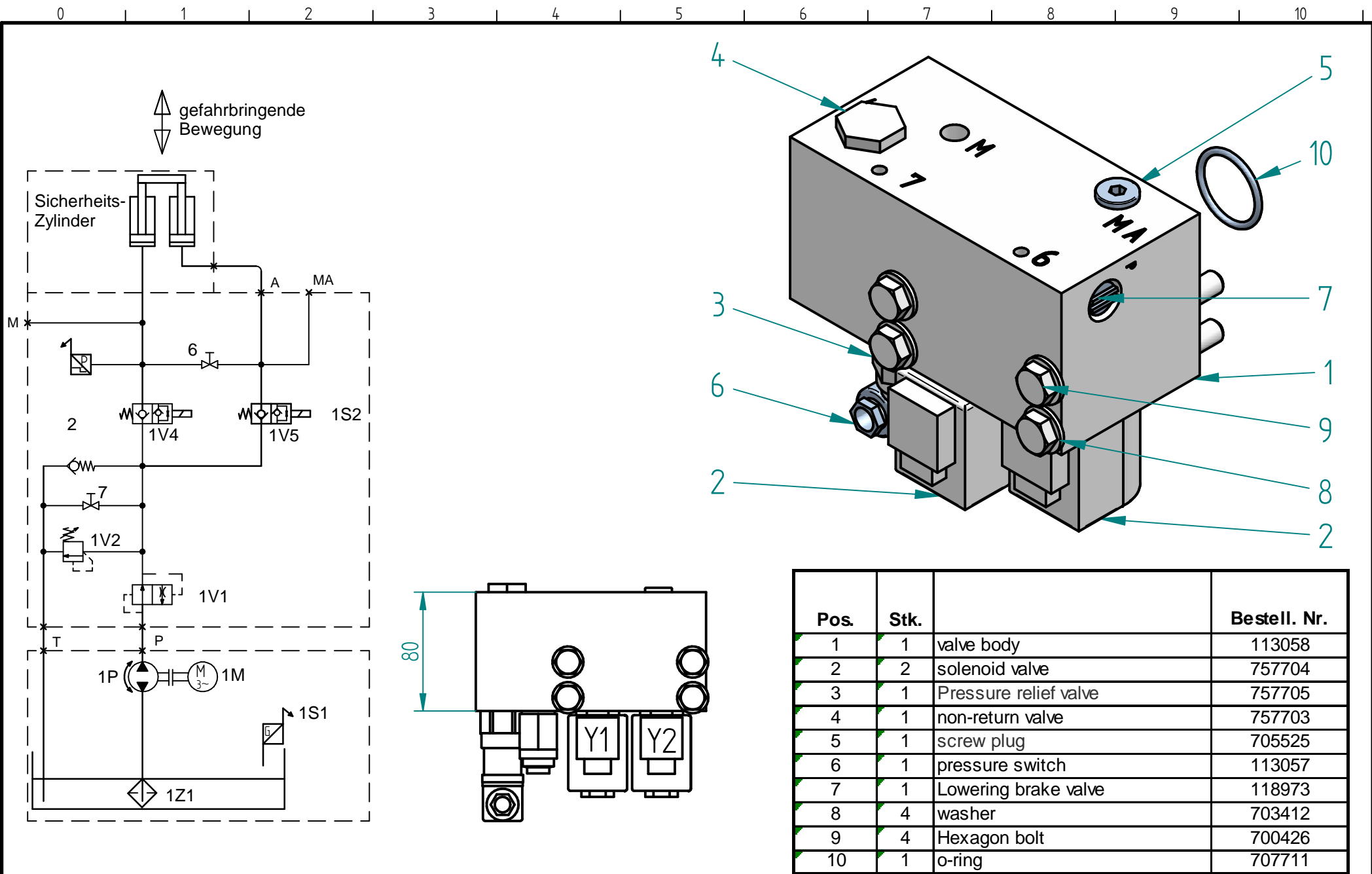
E11052008

jschmidt

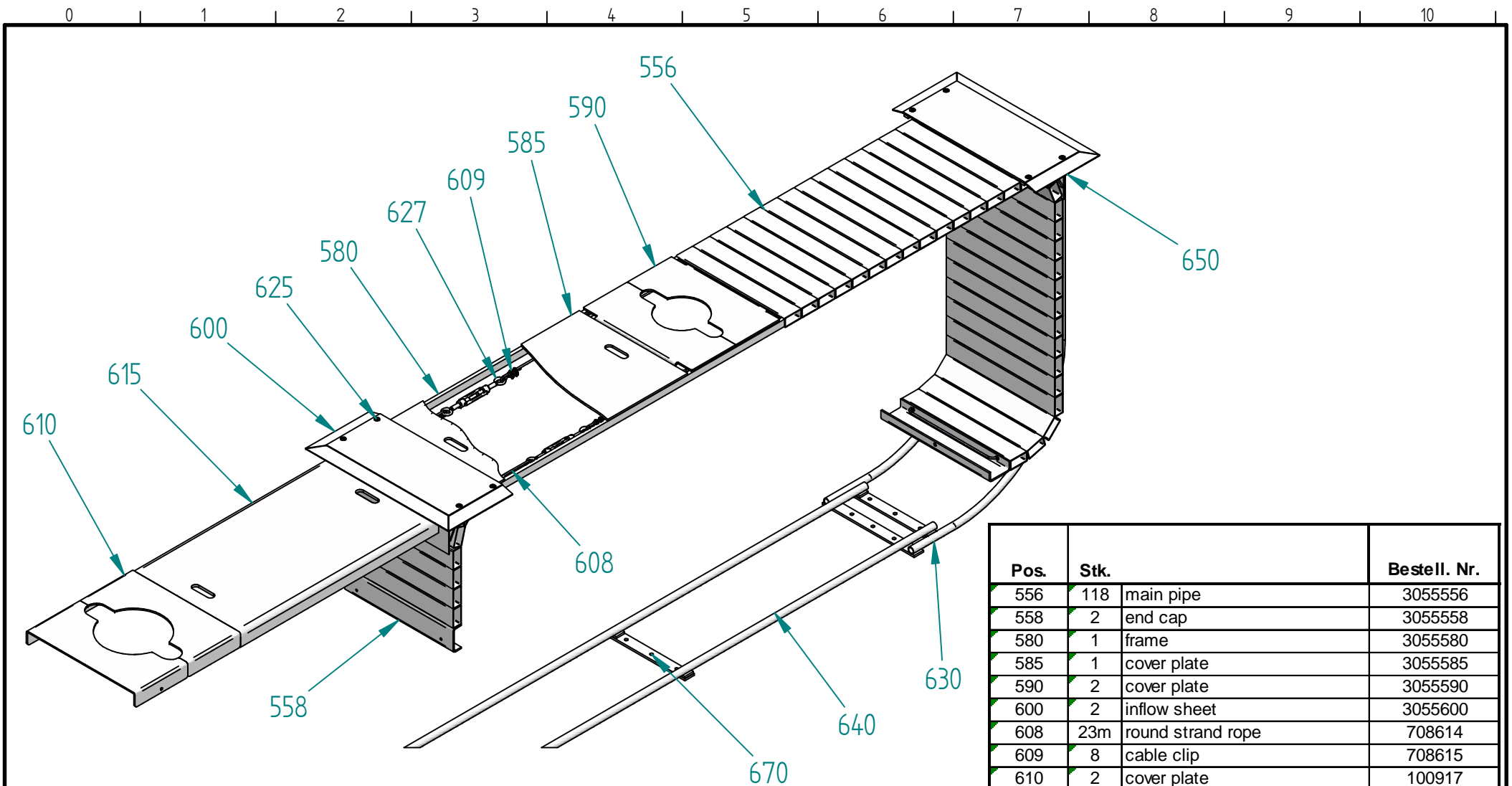
Blatt 1

13/03/13

von 1



Pos.	Stk.		Bestell. Nr.
1	1	valve body	113058
2	2	solenoid valve	757704
3	1	Pressure relief valve	757705
4	1	non-return valve	757703
5	1	screw plug	705525
6	1	pressure switch	113057
7	1	Lowering brake valve	118973
8	4	washer	703412
9	4	Hexagon bolt	700426
10	1	o-ring	707711



Pos.	Stk.		Bestell. Nr.
556	118	main pipe	3055556
558	2	end cap	3055558
580	1	frame	3055580
585	1	cover plate	3055585
590	2	cover plate	3055590
600	2	inflow sheet	3055600
608	23m	round strand rope	708614
609	8	cable clip	708615
610	2	cover plate	100917
615	1	cover plate	3055615
625	8	cylinder screw	715303
627	2	spanner nut	706155
630	2	elbow pipe	3055560
640	1	tubular frame	3055565
650	4	Hexagon bolt	700219
660	4	washer	703413
670	12	anchor	114172

BlitzRotary GmbH
78199 Bräunlingen

Flexcover

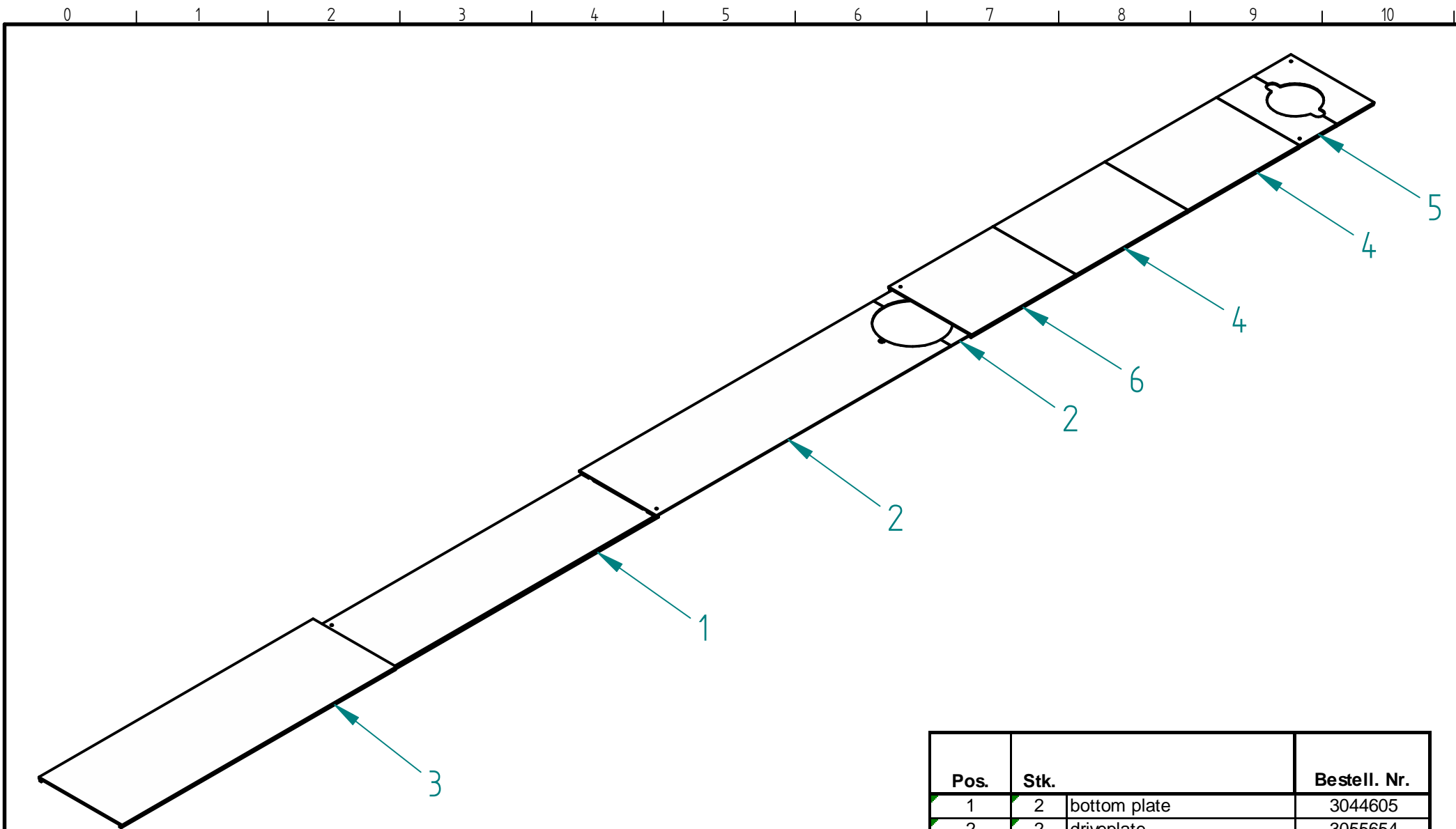
E11053114

jschmidt

Blatt 1

13/03/13

von 1



Pos.	Stk.		Bestell. Nr.
1	2	bottom plate	3044605
2	2	driveplate	3055654
3	1	cover plate	3044606
4	2	cover plate	3044603
5	2	cover plate	3055651
6	1	cover plate	104012

BlitzRotary GmbH
78199 Bräunlingen

Blechabdeckung kpl.

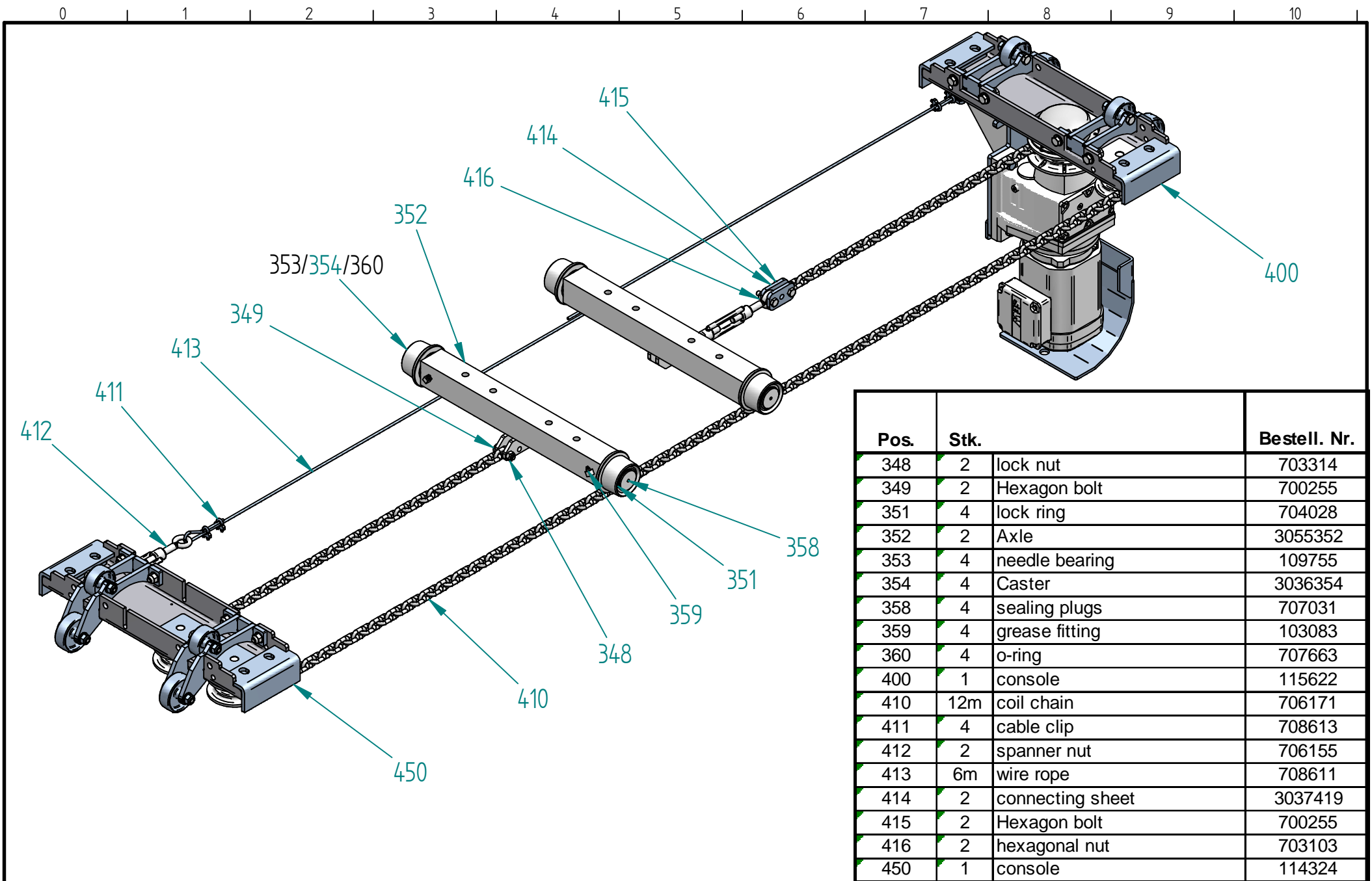
E13022508

jschmidt

Blatt 1

13/03/13

von 1



BlitzRotary GmbH
78199 Bräunlingen

Verstellantrieb kpl. - Flexcover

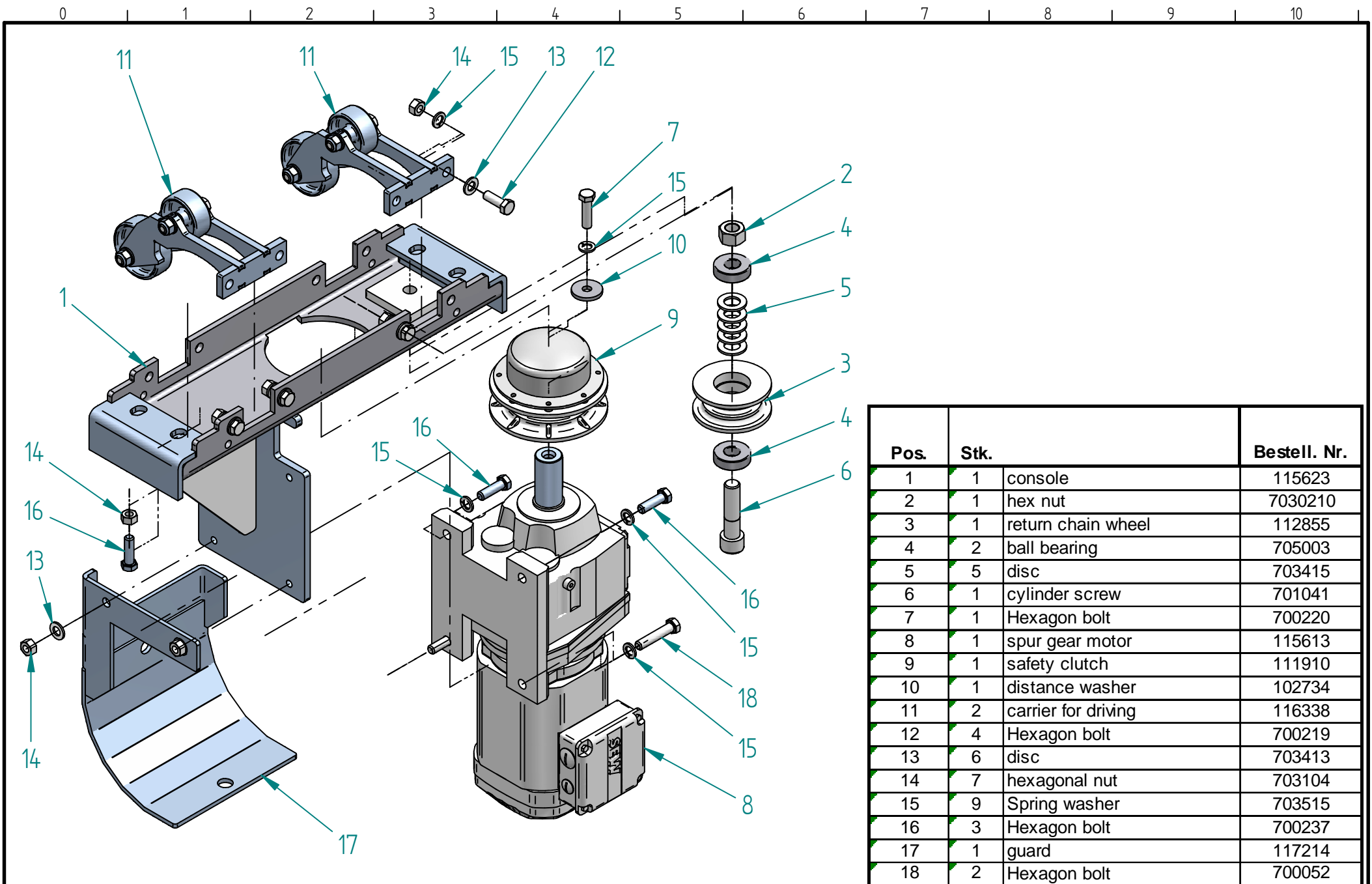
E11053113

jschmidt

Blatt 1

13/03/13

von 1



BlitzRotary GmbH
78199 Bräunlingen

Antriebskonsole kpl. symm.

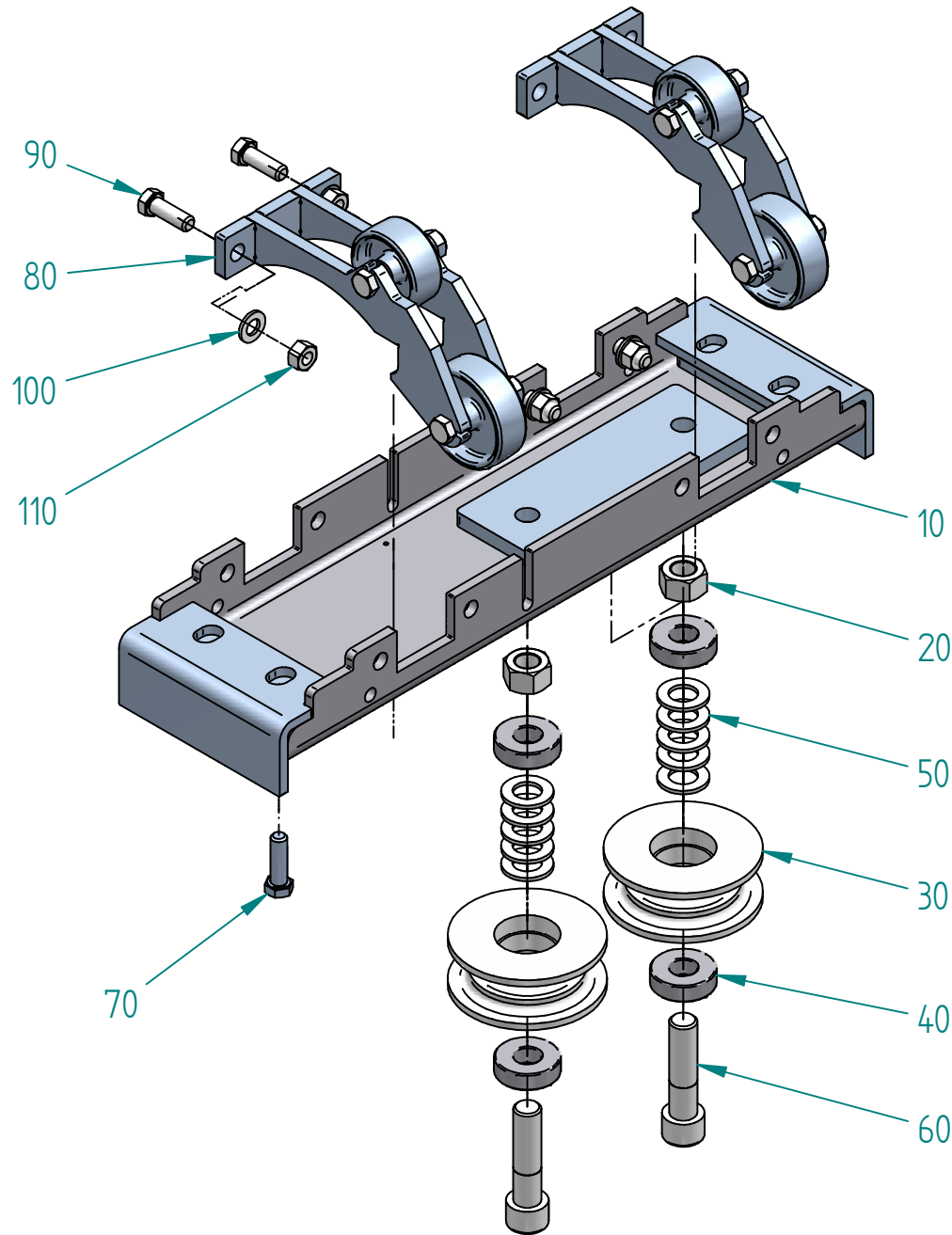
115622

S.Hirth

01.02.2013

Blatt 2

von 2



Pos.	Stk.		Bestell. Nr.
10	1	console	114915
20	2	hexagonal nut	7030210
30	2	return chain wheel	3044407
40	4	ball bearing	705003
50	10	washer	703415
60	2	cylinder screw	701041
70	1	Hexagon bolt	700237
80	2	support for diversion	116338
90	4	Hexagon bolt	700219
100	4	washer	703413
110	4	hexagonal nut	703104

BlitzRotary GmbH
78199 Bräunlingen

Umlenkkonsole kpl.

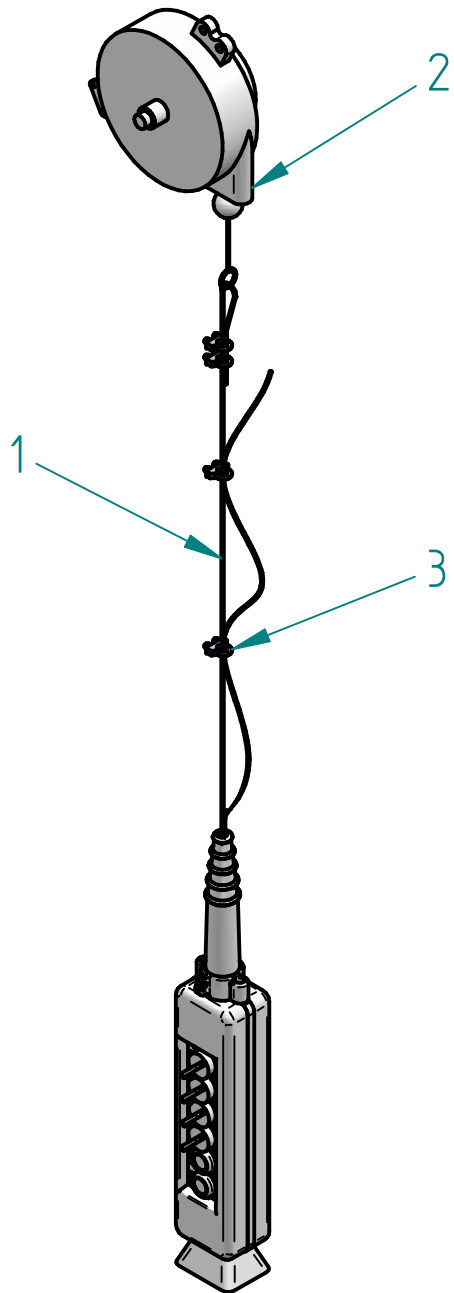
114324

S.Hirth

Blatt 2

29.01.2013

von 2



Pos.	Stk.		Bestell. Nr.
1	1	wire	111623
2	1	retractor	109821
3	6	line terminal	111624

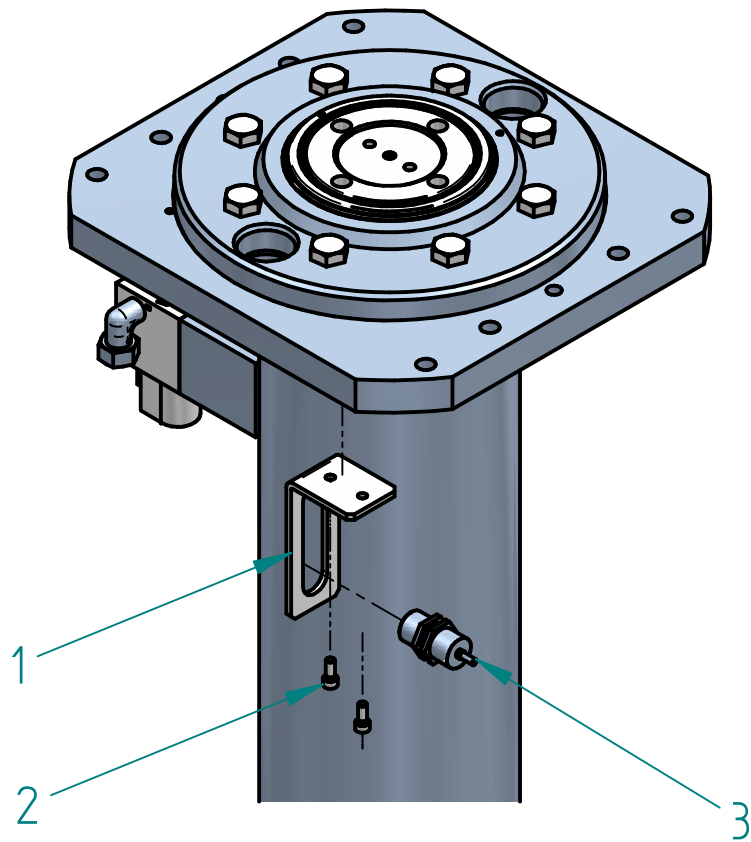
BlitzRotary GmbH
78199 Bräunlingen

Aufhängung Hängetaster

E13021110

jschmidt
13/03/13

Blatt 1
von 1



Pos.	Stk.		Bestell. Nr.
1	1	clamping angle	105343
2	2	cylinder screw	701017
3	1	sensor	105354

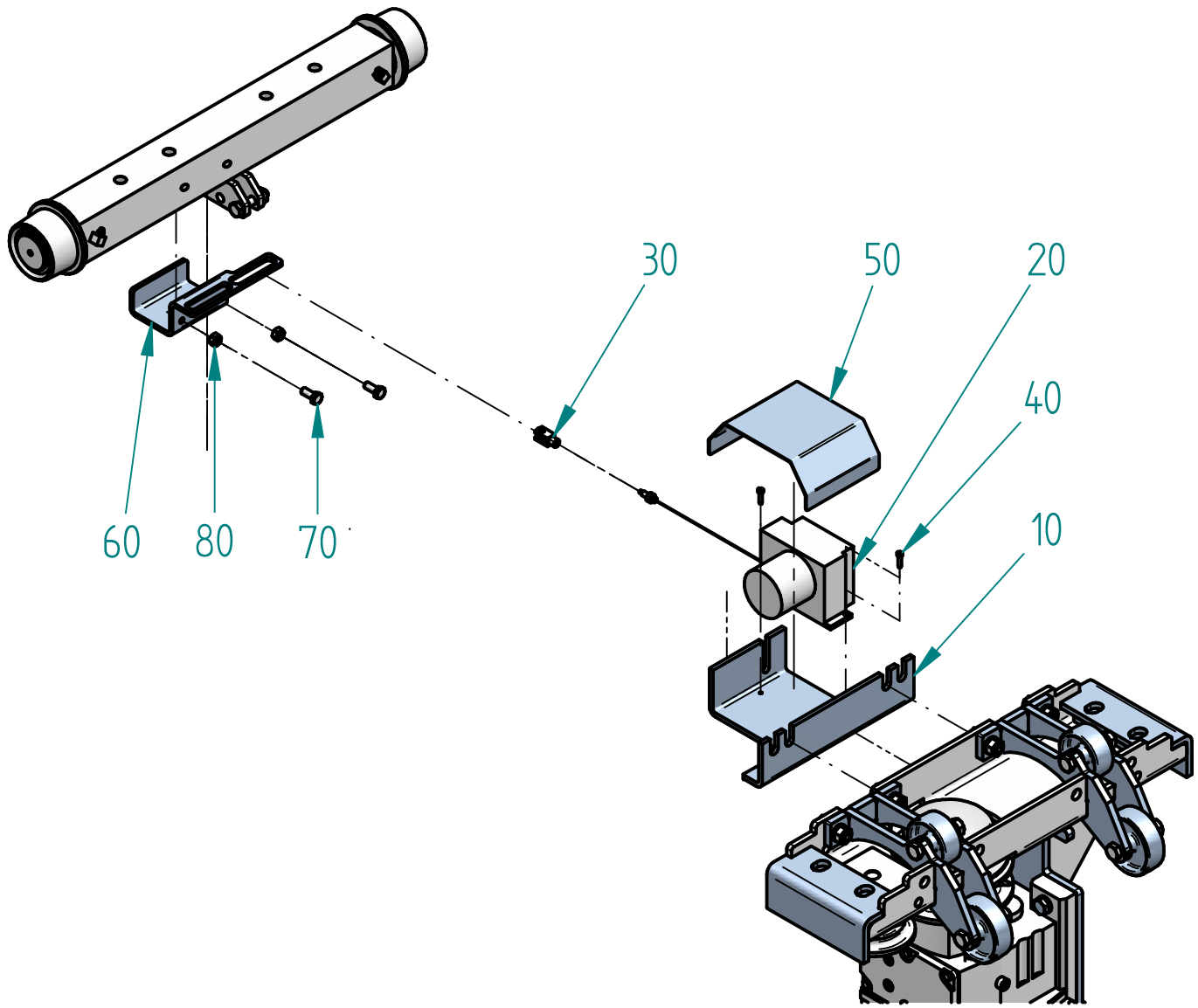
BlitzRotary GmbH
78199 Bräunlingen

Ruhepositionsmelder

E13021111

jschmidt
13/03/13

Blatt 1
von 1



Pos.	Stk.		Bestell. Nr.
10	1	fitting	117503
20	1	sensor	110685
30	1	fork attachment	103406
40	2	cylinder screw	700891
50	1	protective cover	118734
60	1	clamp	113599
70	2	Hexagon bolt	700206
80	2	hexagonal nut	703102

BlitzRotary GmbH
78199 Bräunlingen

Mess - System für Achsabstand

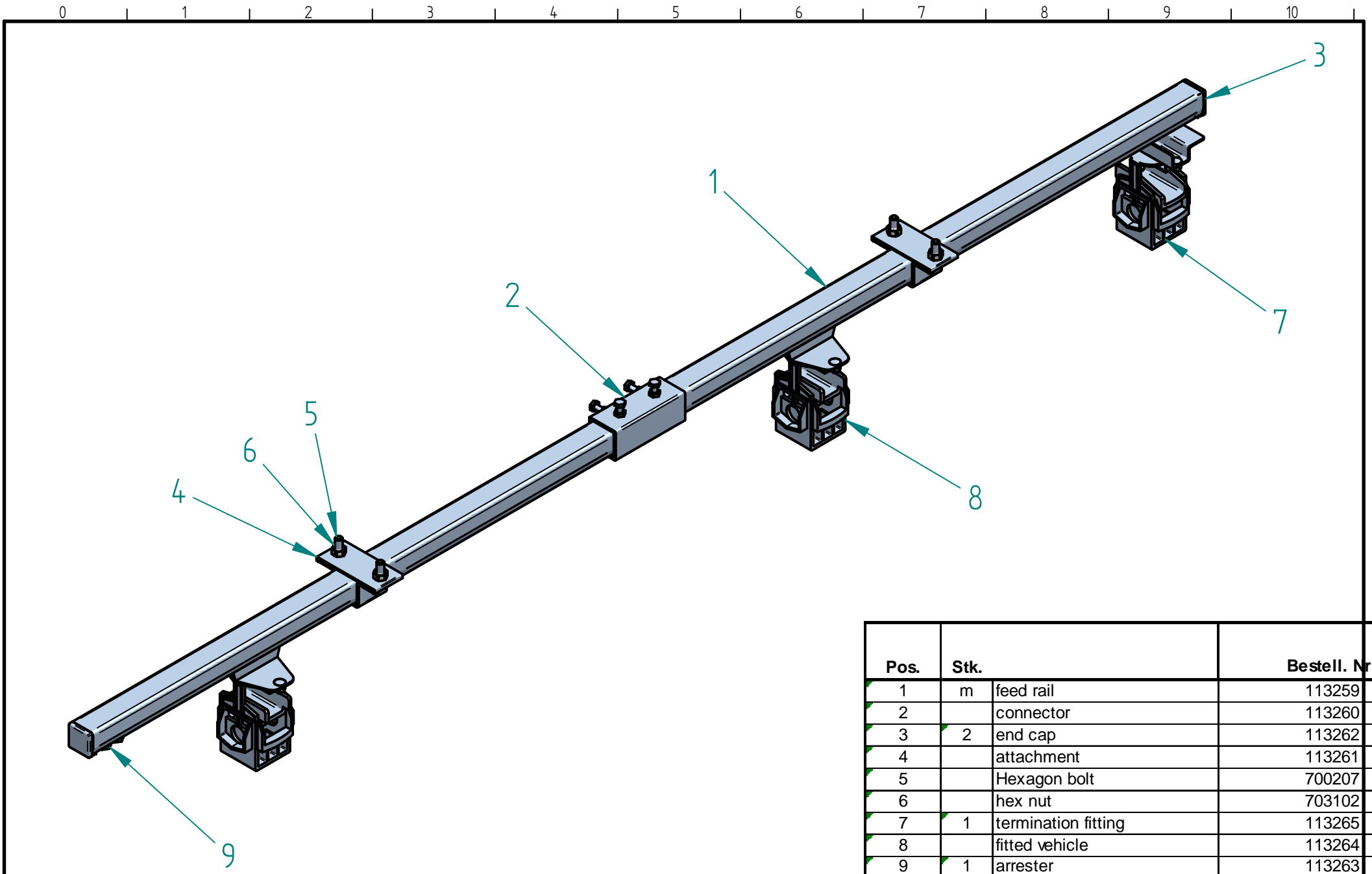
E13020811

jschmidt

13/03/13

Blatt 1

von 1



Pos.	Stk.		Bestell. Nr.
1	m	feed rail	113259
2		connector	113260
3	2	end cap	113262
4		attachment	113261
5		Hexagon bolt	700207
6		hex nut	703102
7	1	termination fitting	113265
8		fitted vehicle	113264
9	1	arrester	113263

BlitzRotary GmbH
78199 Bräunlingen

Deckenschiene für Hängetaster – Kabel

E13020808

jschmidt

Blatt 1

13/03/13

von 1

BlitzRotary.com

600



Bestell. Nr. 119007

100

150

Bestell. Nr. 119008

100

50

1 *Blitz*
max. **15 t**

Bestell. Nr. 111761 - 111766

	G	Flexcover	Metalcover
	max. 15 t	max. 3 t	max. 0,3 t

100

50

Bestell. Nr. 119009

100

100

1 - 2

0
1
2
3
4
5
6
7
8
9

Bestell. Nr. 119035

100

100

3 - 4

0
1
2
3
4
5
6
7
8
9

Bestell. Nr. 119036

100

100

1 - 4

0
1
2
3
4
5
6
7
8
9

Bestell. Nr. 119010